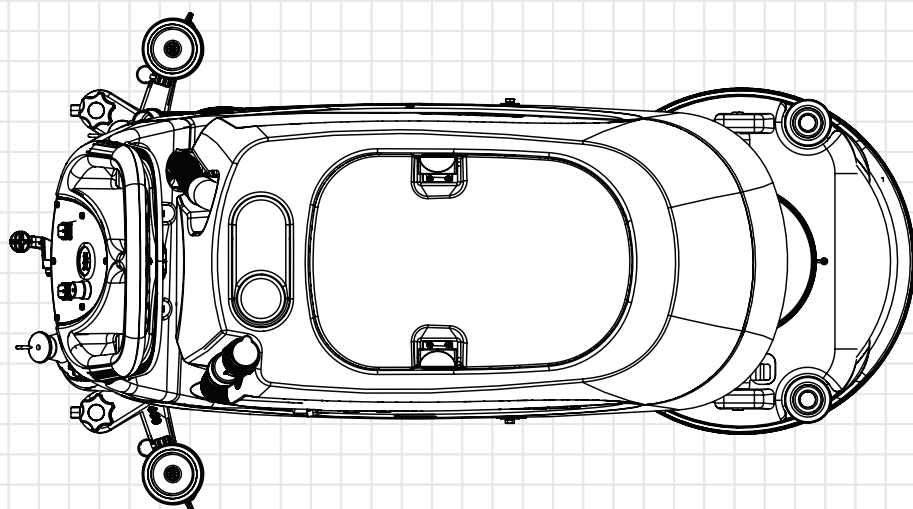
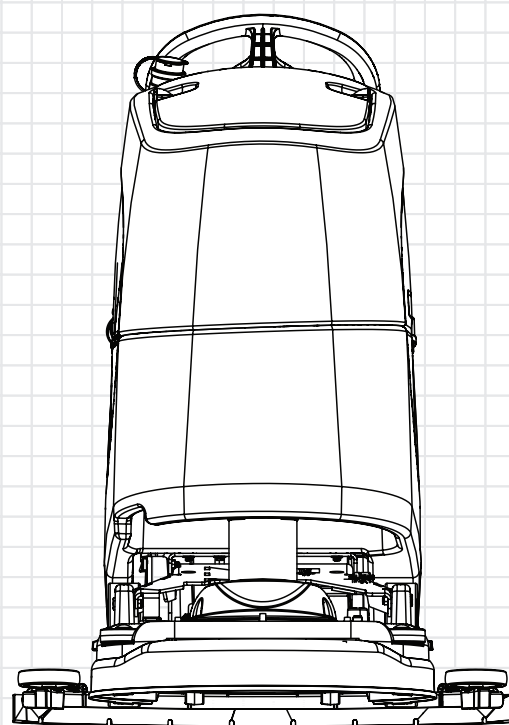
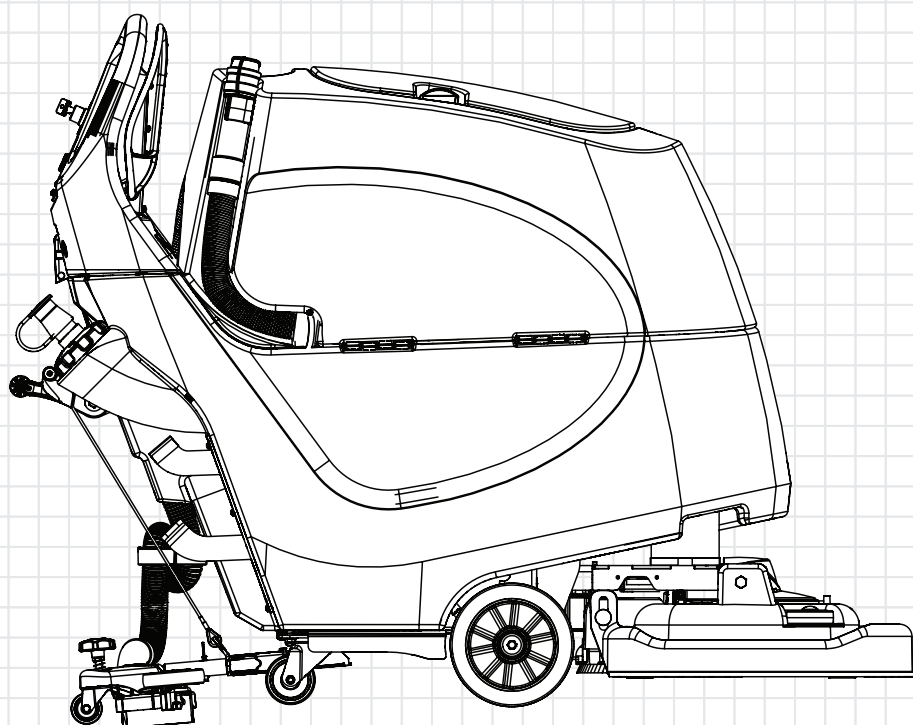


TGB6055



Service Engineer Exploded Drawings

**DISCLAIMER:**

These drawings are for part order reference only and intended for service engineers use.

The installation of Genuine Numatic spare parts should only be executed by Certified Numatic service engineers who specialised and familiar with all relevant safety regulations.

Numatic International Ltd do not accept responsibility or liability for any loss or damage to property or person if repairs or servicing of products are carried out by non-certified persons.

Specifications and parts are subject to change without notice.

Numatic International Spare Parts

Model No: TGB6055 EXPLODED VIEW : TOP TANK

NB: FOR WIRING SEE DRAWING.

NON-TRACTION MODEL

230V : DRW-21948

120V : DRW-23101

CHARGERLESS : DRW-21949

TRACTION MODEL

230V : DRW-22424

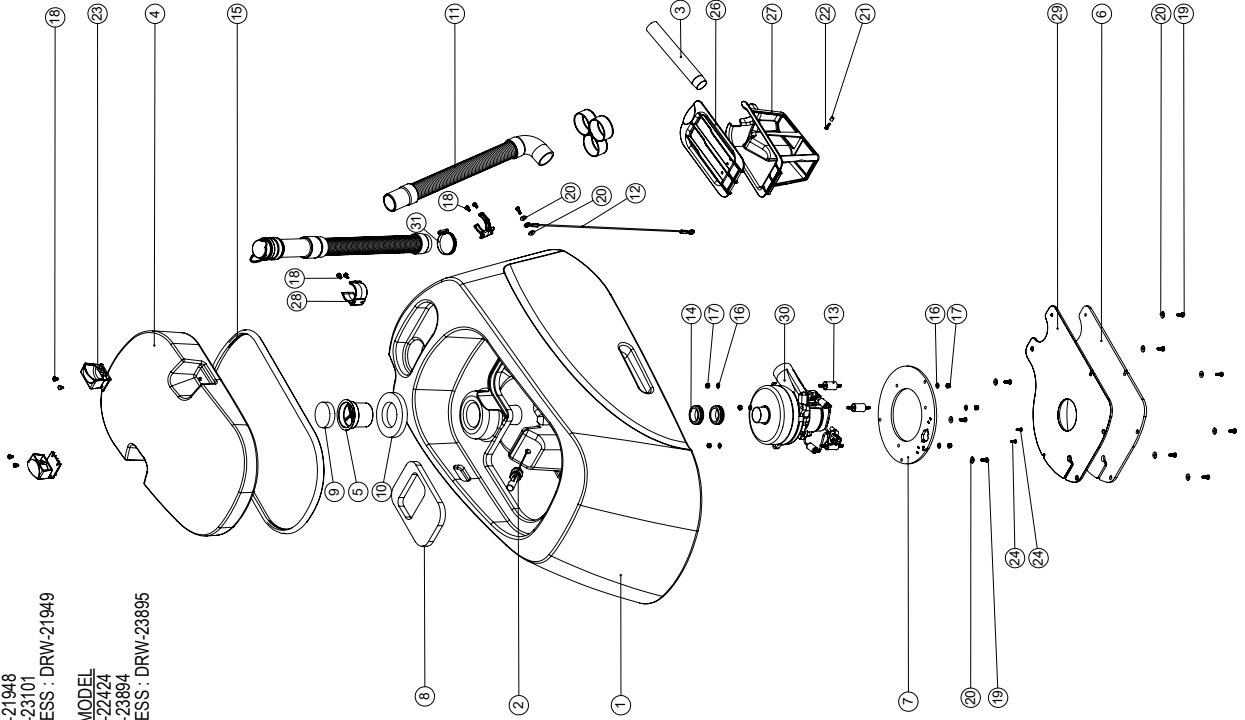
120V : DRW-23894

CHARGERLESS : DRW-23895

903822

DRAWING: DRW-21584 ISS:A18

11/10/2022



Numatic International Spare Parts

Model No: TGB6055 EXPLODED VIEW : TOP TANK

ITEM: PART No:	Description	Comments	QTY
1 902295	TTV4555TTB6055 GREY TOP TANK Moulding CW FLOAT SWITCH & TUBE		1
2 902234	FLOAT SWITCH (N.C.)	903038 SPARE END TIP	1
3 304386	PROCESSED ALUMINIUM WELDED TUBE CUT TO LENGTH (210MM)C6		1
4 902323	TTV4555 GREY SEPARATOR HOOD Moulding		1
5 237688	FOAM FILTER BODY		1
6 902237	VAC MOTOR BOTIOM PLATE (2 STAGE)		1
7 902236	TANGENTIAL VAC MOTOR BRACKET (PP)		1
8 208950	FLOAT PAD		1
9 208947	INNER FOAM FILTER OUTER FOAM FILTER		1
10 208947	INNER FOAM FILTER OUTER FOAM FILTER		1
11 280021	35MM X 1000MM LONG 3:1 STRETCH HOSE (SHORT & LONG CUFF)		1
12 N/A	495MM LONG LIFTING LINK WIRE (Item: 208204)		1
13 208334	30MM x 20MM ANTI VIBRATION MOUNT		3
14 208144	38MM GROMMET X 6MM PANEL THICKNESS		2
15 391433	TTV4555 SEPARATOR SEALING GASKET CUT TO LENGTH		1
16 219870	M6 FORM A WASHER STAINLESS STEEL		6
17 219842	M6 STAINLESS STEEL NYLON INSERT NUT		6
18 291135	M5 X 10MM LONG STAINLESS STEEL POZI PAN SEMS SCREW		8
19 291132	M5 X 16MM LONG STAINLESS STEEL POZI PAN SEMS SCREW		9
20 219844	M5 FORM G STAINLESS STEEL WASHER		11
21 219508	SPIROL SPACER		1
22 299021	Nø8 X 3/4 INCH LONG SELF TAP POZI PAN SCREW		1
23 902919	CLIP Moulding (RED)		2
24 219569	Nø8 X 1/2 INCH LONG POZI PAN STAINLESS STEEL PLASTITE SCREW		2
25 900903	HOSE CLOSURE REPLACEMENT KIT (ø5MM-38MM STRETCH HOSE)	SPARE PART	1
26 903285	FILTER BASKET LID (RED)		1
27 903283	FILTER BASKET (RED)		1
28 237382	ACETAL HOSE CLIP Moulding		1
29 903628	VAC MOTOR BOTIOM PLATE LINER		1
30 915802	24V TANGENTIAL DISCHARGE 2-STAGE VAC MOTOR & PLUG ASSEMBLY + CHOKE		1
31 219919	32MM-50MM STAINLESS STEEL HOSE CLIP		1
32 291145	M4 SHAKEPROOF WASHER STAINLESS STEEL		4
33 237754	35-38MM HOSE CLIP		1
34 237718	HOSE GUIDE		1
35 901548	35MM X 250MM STRETCH HOSE (3:1) CW ADJUSTABLE CUFF + CAP		1
36 219547	M5 X 16MM LONG POZI PAN STAINLESS STEEL SCREW		1

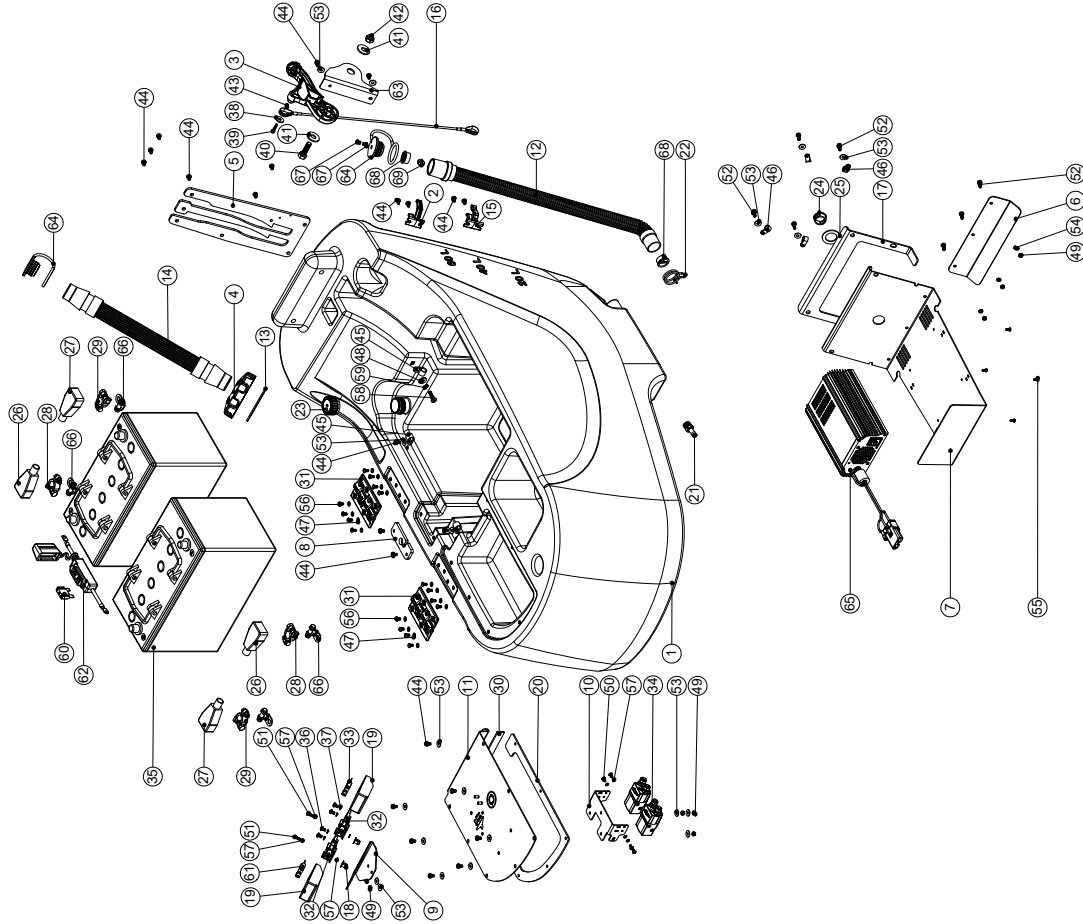
Numatic International Spare Parts

Model No: TGB6055 EXPLODED VIEW : BOTTOM TANK

Internal Code: 903826
PRO

10/02/2022

DRAWING: DRW-21592 ISS:A17



Numatic International Spare Parts

Model No: TGB6055 EXPLODED VIEW : BOTTOM TANK

ITEM:	PART No:	Description	Comments	QTY
1	902160	ETB6055 GREY BOTTOM TANK MOULDING (EP)	WITHOUT LOGO	1
2	902159	ETB6055 GREY BOTTOM TANK MOULDING	WITH LOGO	1
3	237754	35-38MM HOSE CLIP		1
4	902324	RED SQUEEGEE LIFT HANDLE		1
5	404142	TTV4555 FOOT PEDAL GUIDE PLATE - ZIPL		1
6	902257	CHARGER SPLASH SKIRT PAINTED SILVER		1
7	902258	ETB6055 NORD CHARGER PLATE PAINTED SILVER		1
8	902238	RETAINING PLATE		1
9	902254	FUSE BRACKET PAINTED SILVER		1
10	902253	CONTACTOR BRACKET PAINTED SILVER		1
11	902269	ELECTRONICS PLATE ASSY PAINTED SILVER		1
12	N/A	DUMP HOSE		1
13	208564	FILLER CAP SEALING RING		1
14	206842	420MM LONG BLACK STRETCH HOSE C/W CUFFS		1
15	901916	29mm HOSE CLIP		1
16	208696	LIFTING WIRE TTV4555 / TT60055		1
17	208337	CHARGER PLATE PUNCHED GASKET		1
18	900986	NYLON GROMMET NUT (PLASTIC INSERT TO SUIT No 8 PLASTITE SCREW)		2
19	208802	MAXI-FUSE HOLDER COVER		2
20	902066	PUMP PLATE GASKET (4555/6055)		1
21	219389	3/8 BSP MALE C/W UNDERCUT & O RING TO 10.5MM HOSETAIL		1
22	902133	SPRING WIRE CLAMP (YDNAC-Y80.0356)		1
23	208106	BOTTLE CAP		1
24	206314	WINDOW PLUG		1
25	902328	WINDOW PLUG GASKET		1
26	208936	BLACK BATTERY TERMINAL COVER (415NBV14)		2
27	208935	RED BATTERY TERMINAL COVER (415NBV02)		2
28	220455	BATTERY TERMINAL CONVERTOR	80Ah VERSION	2
29	220454	POSITIVE BATTERY TERMINAL CONVERTER	80Ah VERSION	2
30	902387	3MM X 19MM INSEAL TYPE 3289 (190MM)		1
31	303954	PLASTIC HINGE ASSEMBLY		2
32	230102	FUSE HOLDER RATED AT 60 AMPS		2
33	230104	30 AMP MAXI FUSE		1
34	903736	24V ALBRIGHT CONTACTOR (SL80-2009)		2
35	220867	12V TRACTION BLOCK BATTERY	80Ah VERSION	2
36	219684	M5 X 8MM LONG POZ PAN SCREW Z/P L	100Ah VERSION	4
37	219681	M5 SINGLE COIL STAINLESS STEEL WASHER		4
38	291118	M5 STAINLESS STEEL WASHER 19MM OD		4
39	219686	M4 X 20MM LONG STAINLESS STEEL POZI PAN MACHINE SCREW		1
40	219895	M10 X 35MM LONG HEXAGONAL STAINLESS STEEL SCREW		1
41	291124	M10 PENNY WASHER STAINLESS STEEL		1
42	219897	M10 STAINLESS STEEL NYLON INSERT NUT		1
43	219687	M4 STAINLESS STEEL NYLON INSERT NUT		1
44	291135	M5 X 10MM LONG STAINLESS STEEL POZI PAN SEMS SCREW		23
45	219465	P-CLIP		3
46	219393	P-CLIP		4
47	219355	M5 FORM A STAINLESS STEEL WASHER		16
48	219647	M6 FORM G STAINLESS STEEL WASHER		1
49	219633	M5 STAINLESS STEEL NYLON INSERT NUT		8
50	219697	M4 X 8MM LONG POZI PAN STAINLESS STEEL SCREW		4
51	219669	M6 X 1/2 INCH LONG POZI PAN STAINLESS STEEL PLASTITE SCREW		2
52	291132	M5 X 16MM LONG STAINLESS STEEL POZI PAN SEMS SCREW		7
53	219644	M5 FORM G STAINLESS STEEL WASHER		20
54	291020	M5 STAINLESS STEEL EXTERNAL SHAKEPROOF LOCK WASHER		3
55	902533	No6 X 3/8 INCH LONG POZI PAN SELF TAP SCREW STAINLESS STEEL		4
56	291004	M5 X 10MM LONG STAINLESS STEEL BUTTON HEAD SCREW		16
57	291145	M4 SHAKEPROOF WASHER STAINLESS STEEL		8
58	902232	M6 X 25MM LONG POZI PAN SCREW STAINLESS STEEL		1
59	902353	M6 EXTERNAL SHAKEPROOF WASHER STAINLESS STEEL		1
60	221047	40 AMP MAXI FUSE		1
61	221091	20 AMP MAXI FUSE		1
62	903175	IP67 FUSE HOLDER - LITTELFUSE MAHC0001ZKJ 210.RING.RING		1
63	903270	FLOOR TOOL HANDLE BRACKET Z/P L		1
64	903341	32MM HOSE CAP RED (C/W 8MM HOLE)		2
65	902988	230V/24V/10 AMP HF NORD CHARGER (PROCESSED 185MM LONG WIRING)	230V	1
66	903735	120V/24V/10 AMP HF NORD CHARGER (PROCESSED 185MM LONG WIRING)	120V	1
67	904403	BATTERY CONNECTOR (M6 - M10)	100Ah VERSION	4
68	904108	BARBED RIVET BLACK		2
69	904109	FLOAT STOP MOULDING		1

Internal Code: 903826
PRO

10/02/2022

DRAWING: DRW-21592 ISS:A17

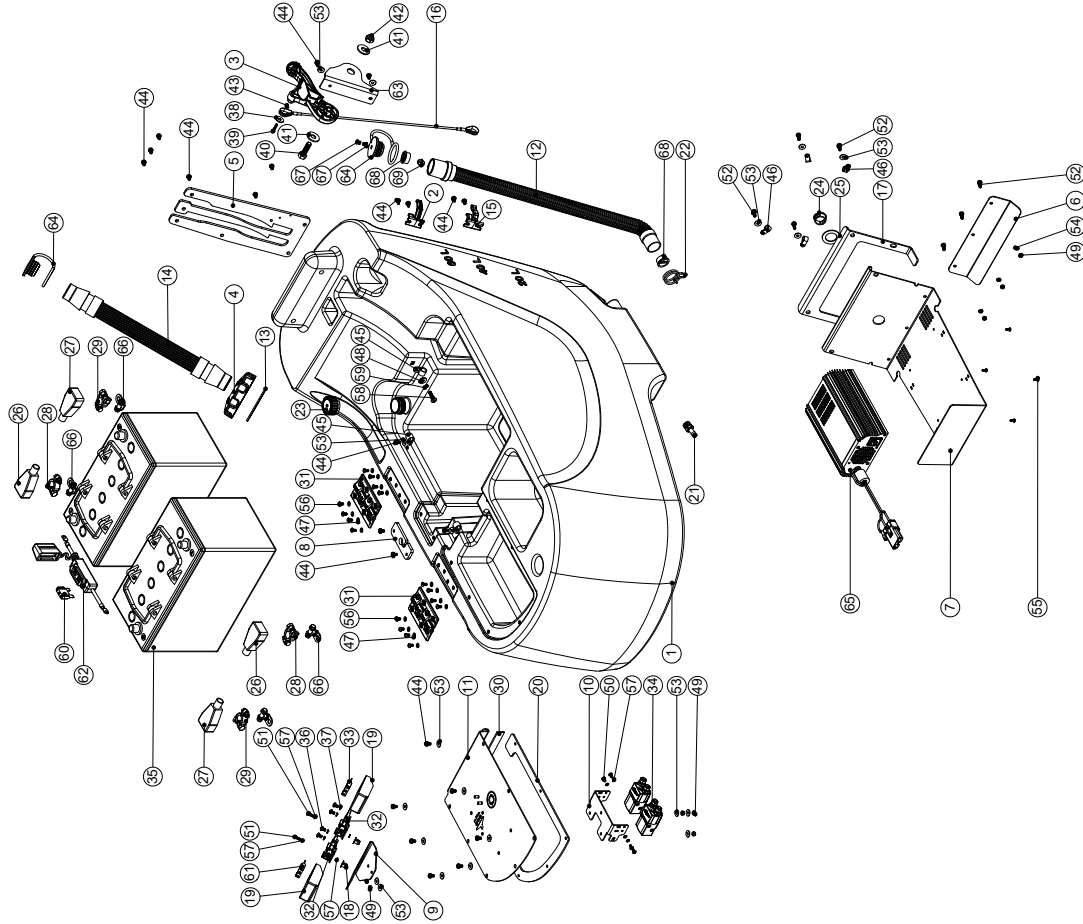
Numatic International Spare Parts

Model No: TGB6055 EXPLODED VIEW : BOTTOM TANK

Internal Code: 903826
PRO

10/02/2022

DRAWING: DRW-21592 ISS:A17

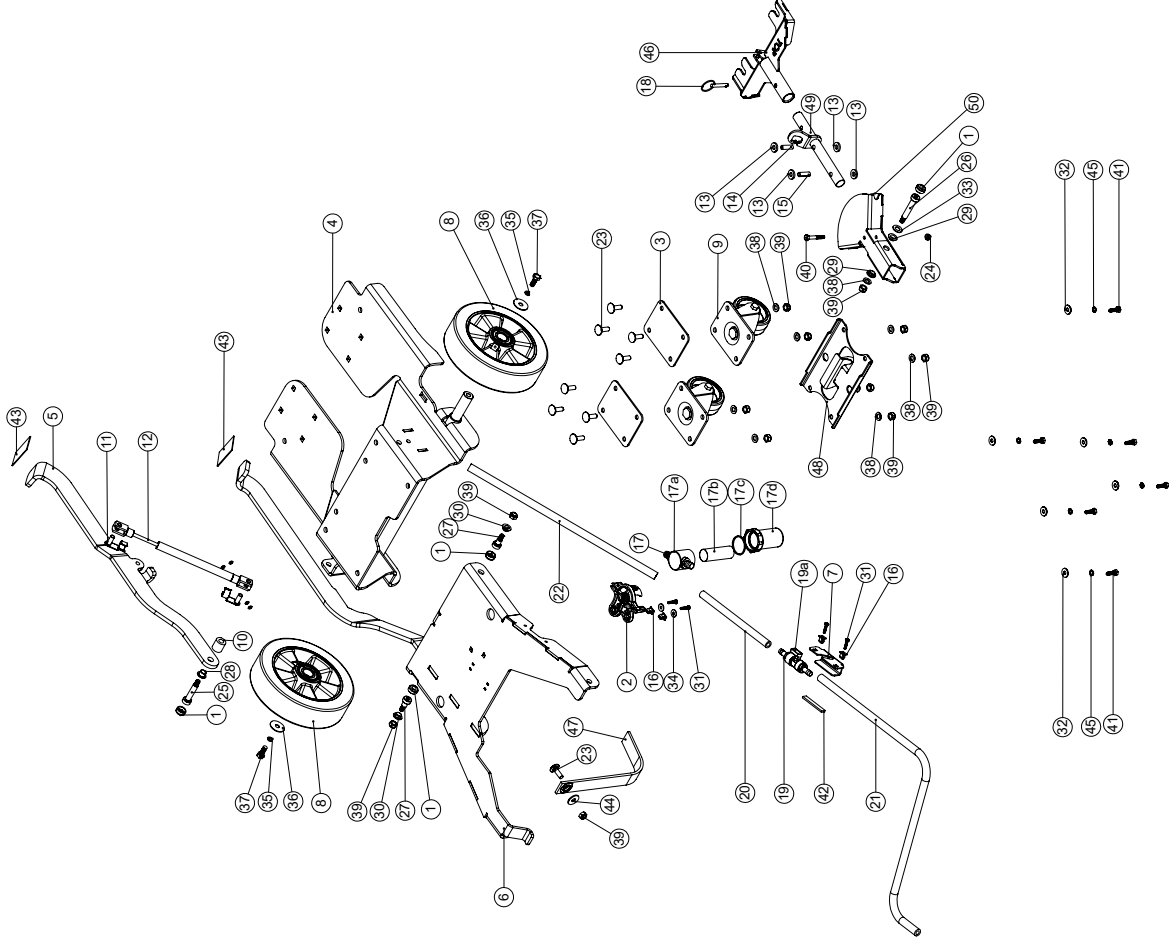


Numatic International Spare Parts

Model No: TGB6055 EXPLODED VIEW : CHASSIS

NB: FOR WIRING SEE DRAWING: N/A

903815
DRAWING: DRW-21593 ISS:A13
10/02/2022



Numatic International Spare Parts

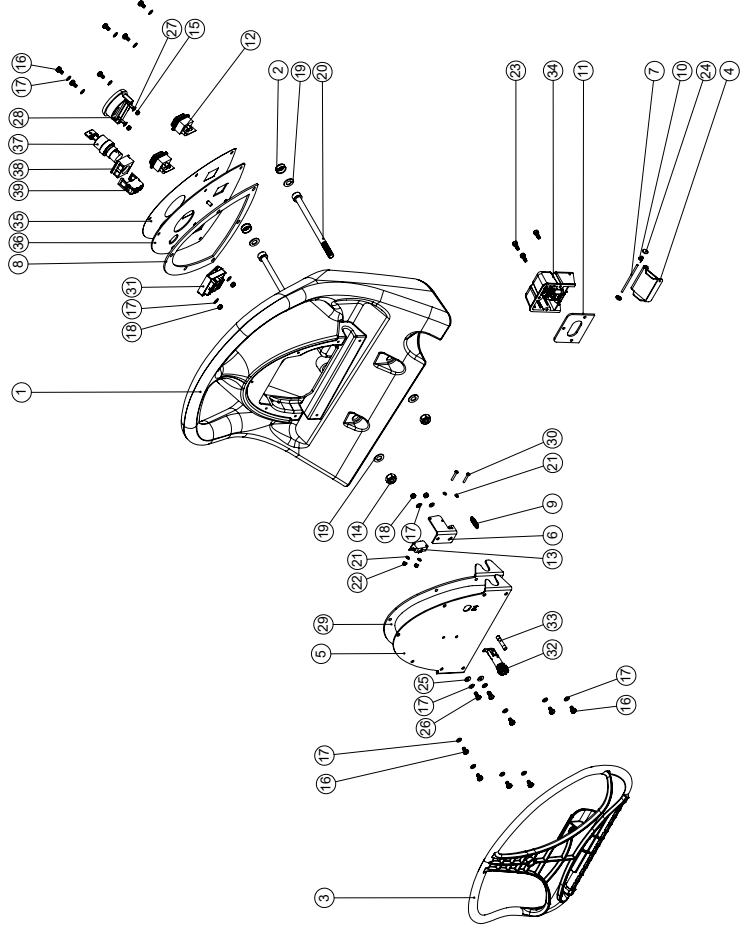
Model No: TGB6055 EXPLODED VIEW : CHASSIS

ITEM:	PART No:	Description	Comments	QTY
1	237632	SHOULDER BOLT COVER		4
2	901006	FILTER MOUNTING BRACKET		1
3	329581	CASTOR ADAPTOR SPACER		2
4	902286	ETB6055 CHASSIS WELD ASSEMBLY PAINTED SILVER		1
5	404131	TTV4555 EXTRA LOAD PEDAL Z/PL		1
6	902268	ETB6055 DECK LIFTING LINK Z/PL		1
7	902262	TAP BRACKET PAINTED SILVER		1
8	204120	WICKE 200 X 50MM ALU WHEEL		2
9	N/A	HEAVY DUTY CASTOR: BLUE TYRE (Item:204116)		2
10	208350	NYLON SPACER ID 10.2MM X OD 20.0MM X LENGTH 21.0MM		1
11	208634	GAS RAM CLEVIS CLIP		2
12	N/A	280N GAS RAM (Item:208623)		1
13	206964	SLIDE NYLON SPACER		4
14	206863	VERTICAL NYLON SPACER		1
15	206954	SPIRO SPACER		1
16	900986	NYLON GROMMET NUT (PLASTIC INSERT TO SUIT No 8 PLASTITE SCREW)		4
17	208888	EXTENDED STRAINER		1
17a	208827	STRAINER BLACK TOP	SPARE PART	1
17b	208889	EXTENDED STRAINER 50 MESH SCREEN	SPARE PART	1
17c	208830	STRAINER GASKET	SPARE PART	1
17d	208890	EXTENDED STRAINER CLEAR BOWL	SPARE PART	1
18	206953	DETENT PINS		1
19	208761	10MM HOSE TAIL TO 10MM HOSE TAIL BALL VALVE ASSEMBLY		1
19a	901544	TAP HANDLE C/W COVER AND M3X6MM SCREW (SPARE ITEM)		1
20	303713	SILICONE TUBE (210MM LONG)	SPARE PART	1
21	391216	SILICON TUBE 8MM I/D X 3.2MM WALL SECTION (CUT 600MM)		1
22	304443	SILICON TUBE 8MM I/D X 3.2MM WALL SECTION (CUT 420MM)		1
23	902010	M8 X 35 COACH BOLT S/S		9
24	219642	M6 STAINLESS STEEL NYLON INSERT NUT		1
25	208355	M8 X 10 X 40MM LONG HEX SOCKET SHOULDER BOLT		1
26	208333	M8 X 10 X 50MM LONG HEX SOCKET SHOULDER BOLT		1
27	208313	M8 X 10 X 12MM LONG HEX SOCKET SHOULDER BOLT		2
28	208331	IGUS BEARING (GFM 101209)		1
29	208312	IGUS BEARING (GFM 101205)		2
30	208330	IGUS BEARING (GFM 101206)		2
31	219568	N08.34 INCH LG POZ-PAN SCREW STAINLESS STEEL PLASTITE		4
32	219647	M6 FORM G STAINLESS STEEL WASHER		6
33	219903	M10 FORM A STAINLESS STEEL WASHER		1
34	219644	M5 FORM G STAINLESS STEEL WASHER		2
35	219898	M8 SINGLE COIL STAINLESS STEEL WASHER		2
36	219877	M8 X 30 STAINLESS STEEL WASHER		2
37	219717	M8 X 20MM LONG HEXAGONAL STAINLESS STEEL BOLT		2
38	219578	M8 FORM A STAINLESS STEEL WASHER		9
39	219639	M8 STAINLESS STEEL NYLON INSERT NUT		12
40	291125	M6 X 40 LONG HEX BOLT STAINLESS STEEL		1
41	219876	M6 X 20MM LONG HEXAGONAL HEAD SET SCREW		6
42	902760	3MM THICK X 9MM WIDE INSEAL (212052 X 60MM LONG)		1
43	903064	FOOT PEDAL PAD (RED)	903063 CUT TO LENGHT	2
44	219716	M8 FORM G STAINLESS STEEL WASHER		1
45	902353	M6 EXTERNAL SHAKEPROOF WASHER STAINLESS STEEL		6
46	304466	FLOOR TOOL BRACKET ASSEMBLY (TT/TTB4045/4055)		1
47	903323	ANTI-STATIC STRAP (CUT TO LENGHT: 320MM LONG)		1
48	904960	FLOOR TOOL LIFTING PIVOT BRACKET WELD ASSY PAINTED SILVER		1
49	905730	TGB6055 FLOOR TOOL PIVOT TUBE ASSEMBLY		1
50	905728	FLOOR TOOL LIFTING PLATE WELD ASSEMBLY (3MM M/S) Z/PL		1
51	291145	M4 SHAKEPROOF WASHER STAINLESS STEEL		4

Numatic International Spare Parts
Model No: TGB6055 EXPLODED VIEW : HANDLE

NB: FOR WIRING SEE DRAWING.
 230V : DRW-21948
 120V : DRW-23101

903818
 Internal Code:
 DRAWING: DRW-21589 ISS:A19
 22/09/2022



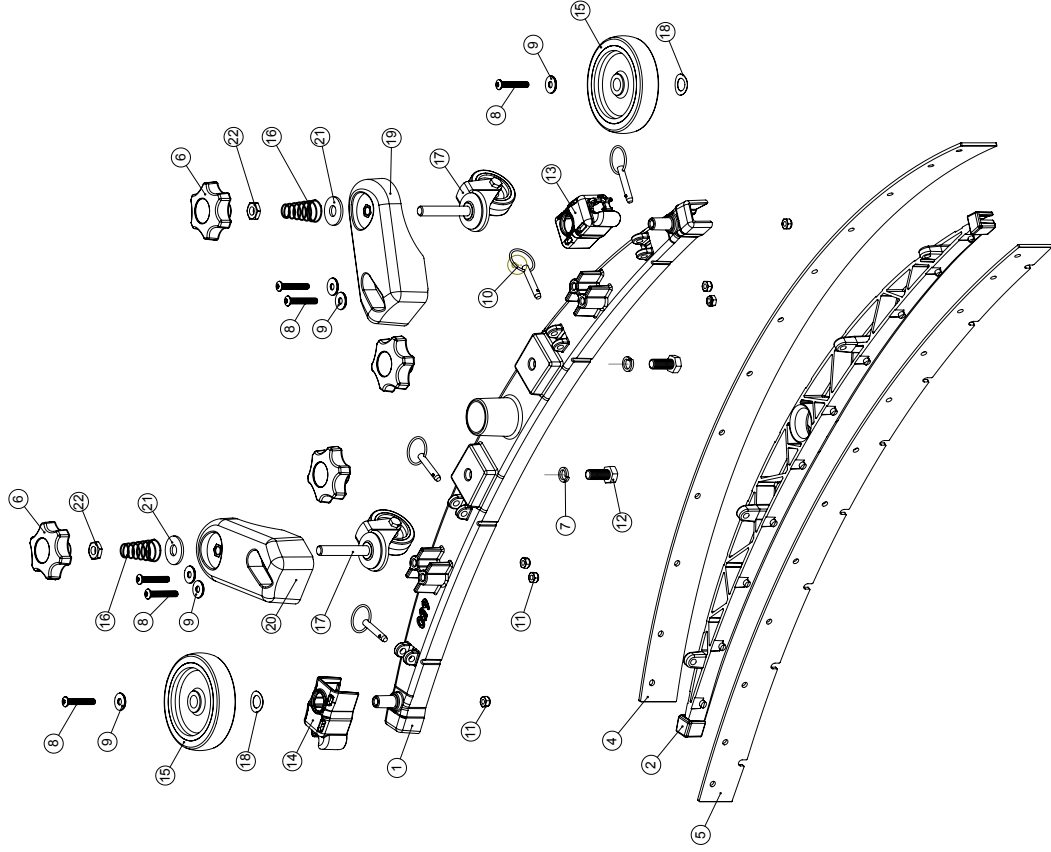
Numatic International Spare Parts
Model No: TGB6055 EXPLODED VIEW : HANDLE

ITEM:	PART No:	Description	Comments	QTY
1	237113	HANDLE MouldING		1
2	237632	SHOULDER BOLT COVER		2
3	902325	RED HANDLE TRIGGER MouldING		1
4	227781	FLAP MouldING		1
5	902263	HANDLE BACK PLATE E1B6055 PAINTED SILVER		1
6	902251	HANDLE MICRO SWITCH BRACKET PAINTED SILVER		1
7	390979	72MM LONG X 3MM DIAMETER STAINLESS STEEL BAR		1
8	208336	CONTROL PANEL PUNCHED GASKET		1
9	208356	TRIGGER SPRING		1
10	219819	TORSION SPRING		1
11	202105	SOCKET COVER SEALING GASKET		1
12	902235	SWITCH DPST RED ILLUMINATED WITH MEMBRANE 24V		2
13	208391	SNAP ACTION SWITCH		1
14	219897	M10 STAINLESS STEEL NYLON INSERT NUT		2
15	219687	M4 STAINLESS STEEL NYLON INSERT NUT		2
16	291135	M5 X 10MM LONG STAINLESS STEEL POZI PAN SEMS SCREW		13
17	219355	M5 FORM A STAINLESS STEEL WASHER		19
18	219633	M5 STAINLESS STEEL NYLON INSERT NUT		4
19	219903	M10 FORM A STAINLESS STEEL WASHER		4
20	902351	M10 X 150MM LONG SOCKET CAP SCREW STAINLESS STEEL		2
21	219501	M3 FORM A STAINLESS STEEL WASHER		4
22	291154	M3 NYLON INSERT NUT STAINLESS STEEL		2
23	291007	M5 X 12MM LONG STAINLESS STEEL SOCKET CAP SCREW		3
24	219832	3MM DIAMETER STARLOCK		2
25	219462	RUBBER WASHER REF NO. 0380810		2
26	219740	M5 X 12MM LONG STAINLESS STEEL POZI PAN SCREW		2
27	219688	M4 FORM A STAINLESS STEEL WASHER		2
28	914620	BATTERY HOURS METER NE306	O-RING INCLUDED	1
29	903062	HANDLE BACK PLATE GASKET		1
30	291155	M3 X 20MM LONG POZI PAN SCREW STAINLESS STEEL		2
31	903031	TERMINAL BLOCK ASSEMBLY		1
32	903032	BULGIN PANEL MOUNT FUSEHOLDER		1
33	903066	FUSE 2.5A (6.3x32)		1
34	904030	240V EMI FILTER WITH SOCKET COVER ASSEMBLY (PROCESSED)	240V VERSION	1
35	904031	120V EMI FILTER WITH SOCKET COVER ASSEMBLY (PROCESSED)	120V VERSION	1
36	904765	TGB6055 (TGB1620) CONTROL PANEL OVERLAY		1
37	907115	TGB6055 CONTROL PANEL ASSEMBLY (NEW KEY) PAINTED SILVER		1
38	907149	KEY SWITCH SELECTOR (0205CA1)	907208 SPARE KEYS	1
39	907150	FIXING ADAPTER (020G)		1
39	907151	TERMINAL BLOCK N.O. (020E10)		1

Numatic International Spare Parts
Model No: 650 TWINTEC ALUMINIUM FLOOR TOOL (38MM HOSE, RED TRIM, SERILOR BLADES)

903347
 DRAWING: DRW-22621 ISS:A09
 PRO
 27/03/2018

NB: FOR WIRING SEE DRAWING: N/A



Numatic International Spare Parts

Model No: 650 TWINTEC ALUMINIUM FLOOR TOOL (38MM HOSE, RED TRIM, SERILOR BLADES)

ITEM:	PART No:	Description	Qty
1	208198	(650MM SCRUB WIDTH) ALUMINIUM SQUEEGEE CASTING (38MM HOSE FITTING)	1
2	903345	(650MM SCRUB WIDTH) RED BLADE HOLDER Moulding (SLOPING PROFILE) (32MM & 38MM HOSE FITTING)	1
	900518	650 REPLACEMENT SERILOR GREEN POLYURETHANE BLADES SET	
4	208970	(650MM SCRUB WIDTH) REPLACEMENT (4.0MM / 35-45 SHORE A) REAR LAMINATED SERILOR POLYBLADE (847MM LONG)	1
5	208987	(650MM SCRUB WIDTH) REPLACEMENT (3.2MM / 40 SHORE A) FRONT MONOLAYER SERILOR POLYBLADE (819MM LONG)	1
6	903281	M10 LOBE KNOB (RED)	4
7	219889	M10 SINGLE COIL STAINLESS STEEL WASHER	2
8	219933	M6 X 35MM SOCKET BUTTON HEAD BOLT STAINLESS STEEL	6
9	219647	M6 FORM G STAINLESS STEEL WASHER	6
10	206953	DETENT PINS	4
11	219642	M6 STAINLESS STEEL NYLON INSERT NUT	6
12	219909	M10 X 25MM LONG HEXAGONAL STAINLESS STEEL SCREW	2
13	237322	RIGHT HAND FLOOR TOOL CLIP Moulding	1
14	237323	LEFT HAND FLOOR TOOL CLIP Moulding	1
15	208796	4 INCH WHEEL	2
16	229175	CONICAL SPRING	2
17	907759	50MM DIAMETER GREY TPR TYRED SWIVEL CASTOR C/W M10 X 60 SWAGED STEM.	2
18	219891	13MM WAVEY WASHER	2
19	906860	ADJUSTABLE FLOOR TOOL CASTOR PLASTIC PLATE LEFT	1
20	906859	ADJUSTABLE FLOOR TOOL CASTOR PLASTIC PLATE RIGHT	1
21	291124	M10 PENNY WASHER STAINLESS STEEL	2
22	219951	A4 (STAINLESS STEEL) M10 HEX LOCK NUT (HALF NUT)	2

Numatic International Spare Parts

Model No: TGB6055 EXPLODED VIEW : BRUSH DECK

NB: FOR WIRING SEE DRAWING.

NON-TRACTION MODEL

230V : DRW-21948

120V : DRW-23101

CHARGERLESS : DRW-21949

TRACTION MODEL

230V : DRW-22424

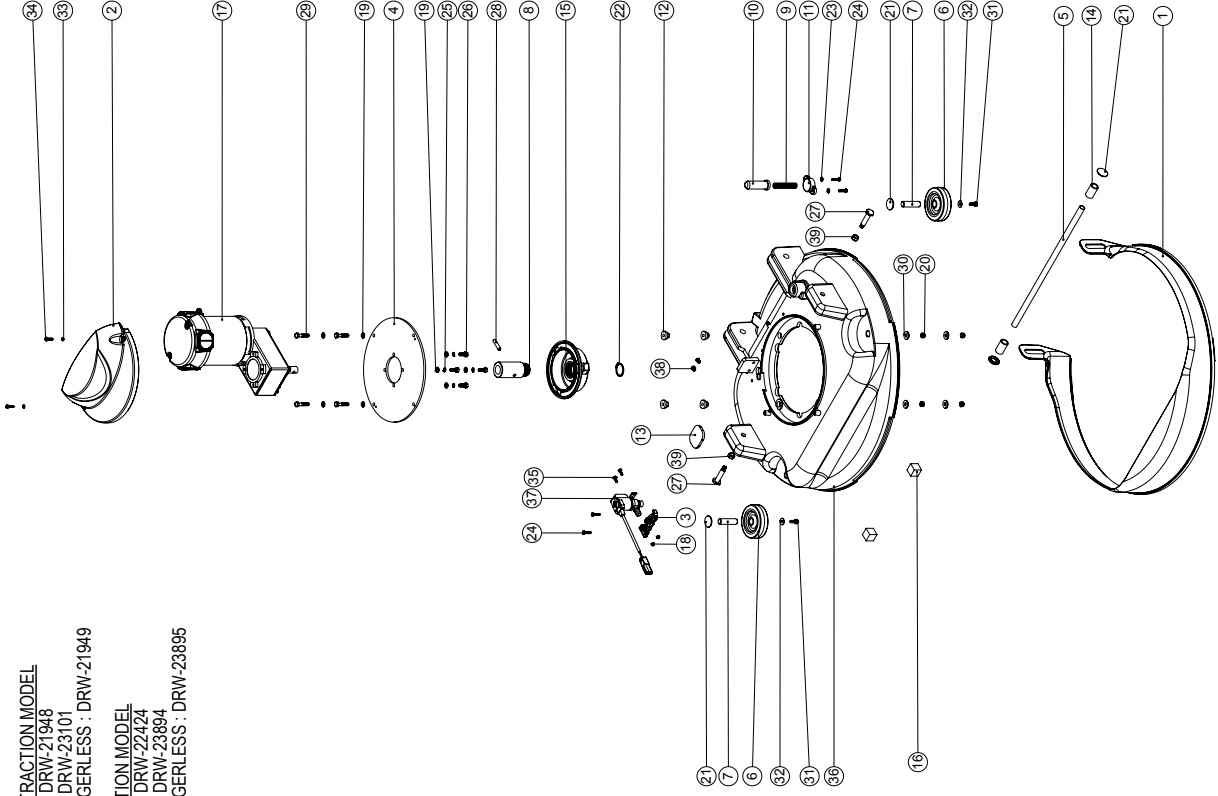
120V : DRW-23894

CHARGERLESS : DRW-23895

Internal Code:

PRO

DRAWING: DRW-21591 ISSA17
18/10/2018



Numatic International Spare Parts

Model No: TGB6055 EXPLODED VIEW : BRUSH DECK

ITEM: PART No:	Description	Comments	QTY
1	229562 SPLASH SKIRT MOULDING		1
2	237380 AMER MOTOR COVER		1
3	902556 SOLENOID MOUNT MOULDING		1
4	404166 TTB4045/4055 AMER MOTOR ADAPTOR PLATE PAINT SILVER GREY		1
5	391439 1/2 INCH DIAMETER X 18G STAINLESS STEEL TUBE (0.375)		1
6	204068 3 INCH GREY WHEEL		2
7	206013 BUFFER WHEEL PIN		2
8	208727 DRIVE SHAFT		1
9	219692 COMPRESSION SPRING		1
10	229128 PLUNGER		1
11	223242 PLUNGER MOUNTING PLATE MOULDING		1
12	229285 MOTOR MOUNTING SPACER		4
13	202098 FOOT PEDAL PAD		1
14	208769 NATUARL NYLON SPACER (12.8x18x30)		2
15	230207 DIE CAST CHUCK MACHINED		1
16	902352 FOAM SPACER 20MM		2
17	205245 AMER 100RPM MOTOR	230222 CARBON BRUSHES (SET)	1
18	219687 I44 STAINLESS STEEL NYLON INSERT NUT		2
19	219870 I66 FORM A WASHER STAINLESS STEEL		8
20	219642 I66 STAINLESS STEEL NYLON INSERT NUT		4
21	204021 12.7MM STAINLESS STEEL HUB CAP		4
22	230048 26MM EXTERNAL CIRCLIP		1
23	219355 I65 FORM A STAINLESS STEEL WASHER		2
24	219568 NC08.34 INCH LG POZI PAN SCREW STAINLESS STEEL PLASTITTE		4
25	219718 WASHER I66 SPRING STAINLESS STEEL		4
26	219719 I66 X 16MM LONG HEXAGONAL STAINLESS STEEL HEAD BOLT		4
27	206236 PIVOT PIN		2
28	291079 6MM X 30MM STAINLESS STEEL ROLL PIN		1
29	291022 I66 X 30MM LONG STAINLESS STEEL HEXAGONAL HEAD BOLT		4
30	219647 I66 FORM G STAINLESS STEEL WASHER		4
31	291132 I65 X 16MM LONG STAINLESS STEEL POZI PAN SEMS SCREW		2
32	219644 I65 FORM G STAINLESS STEEL WASHER		2
33	291145 I44 SHAKEPROOF WASHER STAINLESS STEEL		6
34	219862 I44 X 16MM LONG POZI PAN STAINLESS STEEL SCREW		2
35	219890 I44 X 12MM LONG POZI PAN STAINLESS STEEL SCREW		2
36	304445 6055 BASE MOULDING		1
37	902949 TERMINATED SOLONOID CABLE BLACK.125.0M5.2.24		1
38	219009 I44 BRASS TAPPEX INSERT		2
39	219639 I68 STAINLESS STEEL NYLON INSERT NUT		2

Numatic International Limited (Head Office)

Chard, Somerset TA20 2GB, UNITED KINGDOM

Tel: 01460 68600 numatic.com

Numatic International GmbH

Fränkische Straße 15-19, 30455 Hannover, DEUTSCHLAND

Tel: +49 (0) 511 984 2160 numatic.de

Numatic International Denmark

Fränkische Straße 15-19, 30455 Hannover, DEUTSCHLAND

Tel: +45 (0) 316 40808 numatic-online.dk

Numatic International S.A.S

13/17 rue du Valengelier, EAE la Tuilerie, 77500 Chelles, FRANCE

Tel: +33 (0) 164 726 161 numatic.fr

Numatic International BV

Vennootsweg 15, 2404 CG, Alphen aan den Rijn, NEDERLAND

Tel: +31 (0) 172 467 999 numatic.nl

Numatic International Schweiz AG.

Sihlbruggstrasse 3A, 6340 Baar, SCHWEIZ

Tel: +41 (0) 41 768 0760 numatic.ch

Numatic International (PTY) Ltd.

Cnr. 16th & Pharmaceutical Road, Randjes Park, Midrand 1685, SOUTH AFRICA

Tel: +27 (0) 861 686 284 numatic.co.za

Numatic International ULDA

Rua Francisco da Silva Duarte, nº79,

4475-269 Santa Maria de Avioso, Castelo da Maia, PORTUGAL

Tel: +351 220 047 700 numatic.pt

Numatic International Spain, S.L.U.

Av. Baix Llobregat, 5-7, Oficina bajos 1 (Parc Negocis Mas Blau II)

08820 El Prat de Llobregat (Barcelona), SPAIN

Tel: +34 93 647 22 22 numatic.es

Numatic International Italy S.R.L

Via Luigi Galvani, 2, Z.I. Talponedo, 33080 Porcia (PN), ITALY

Tel: +39 (0) 434 046 211 numatic.it