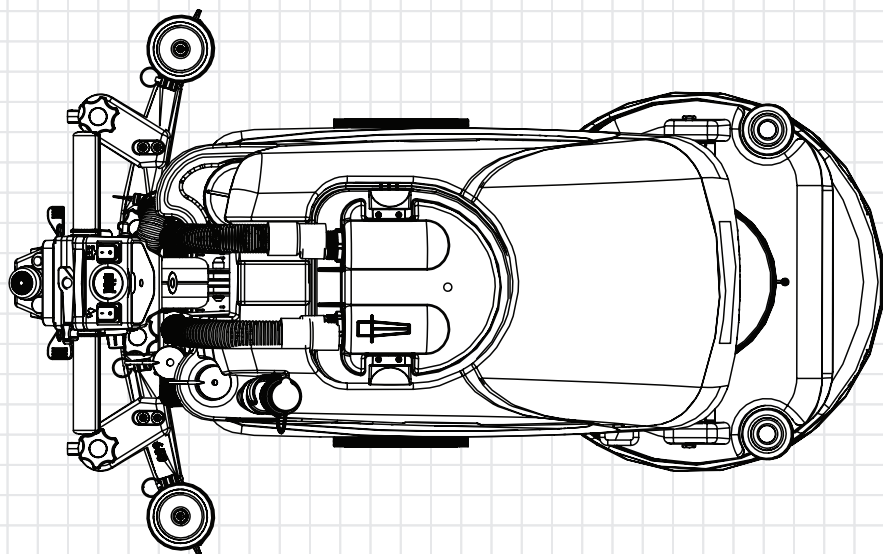
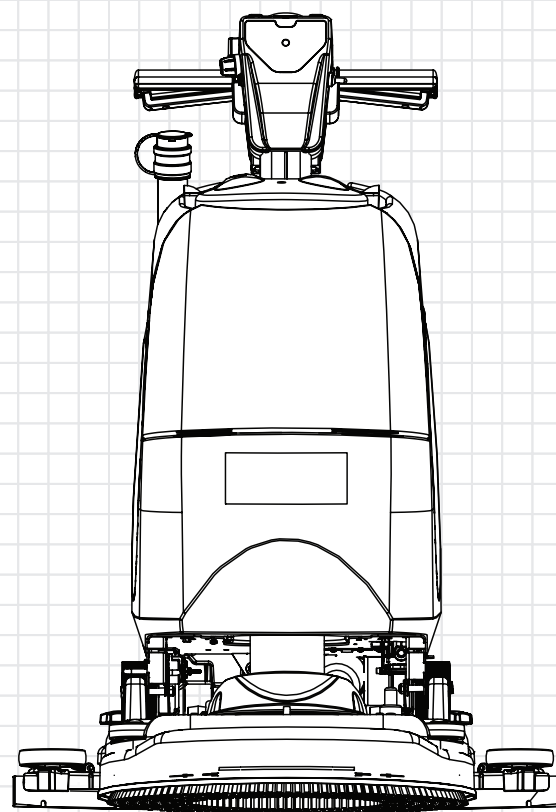
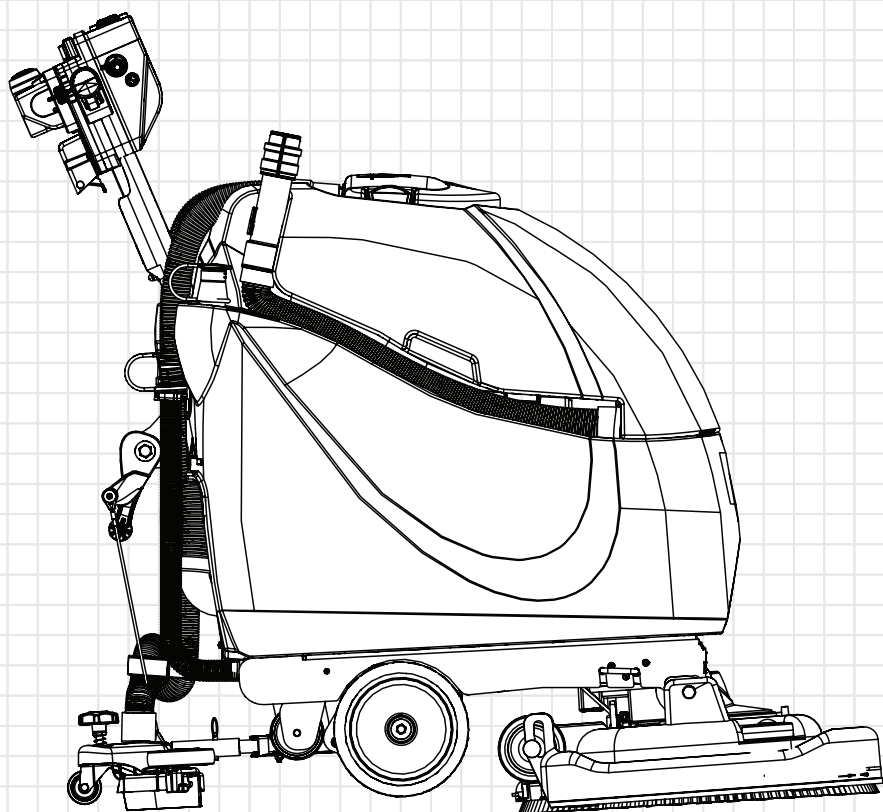


TGB4055T



Service Engineer Exploded Drawings



DISCLAIMER:

These drawings are for part order reference only and intended for service engineers use.

The installation of Genuine Numatic spare parts should only be executed by Certified Numatic service engineers who specialised and familiar with all relevant safety regulations.

Numatic International Ltd do not accept responsibility or liability for any loss or damage to property or person if repairs or servicing of products are carried out by non-certified persons.

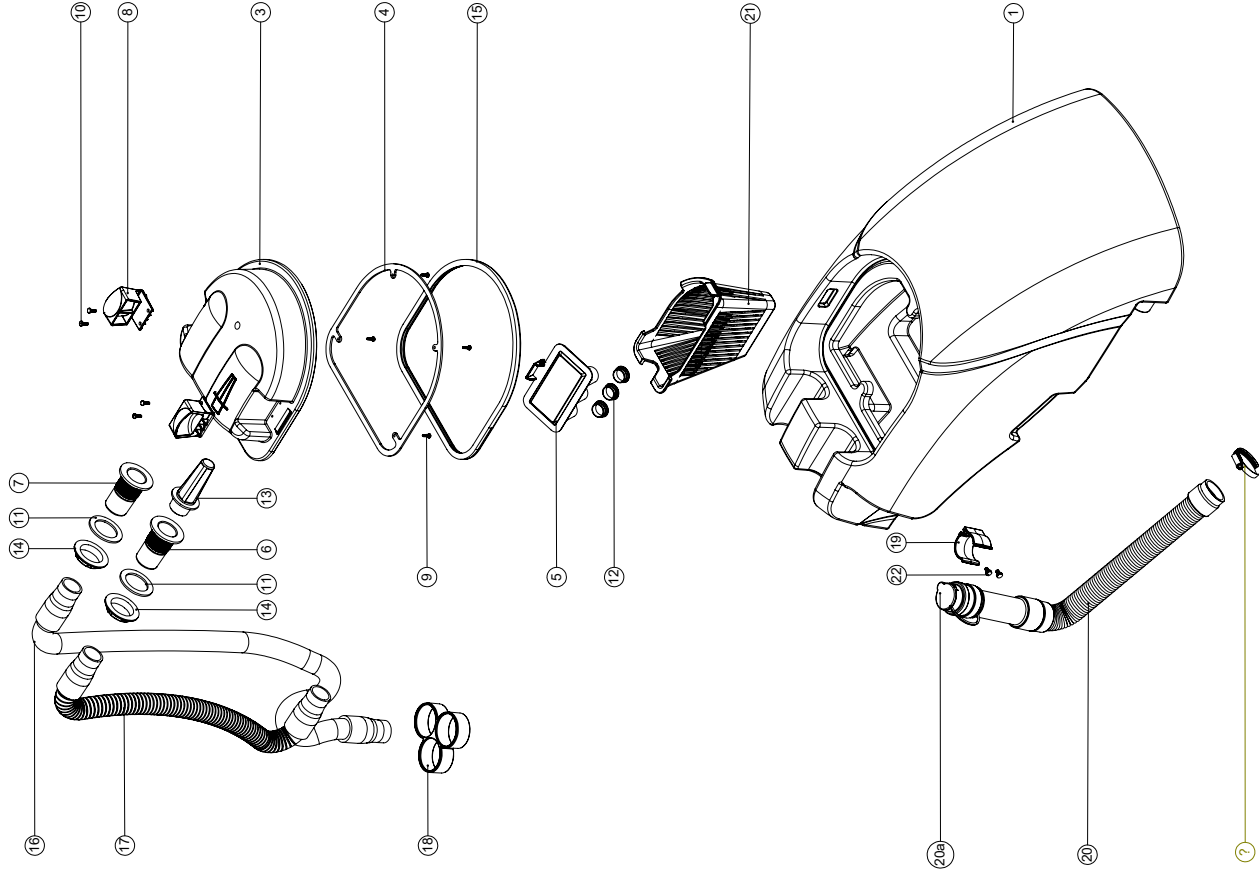
Specifications and parts are subject to change without notice.

Numatic International Spare Parts

Model No: TGB4045/4055 EXPLODED VIEW: TOP TANK

NB: FOR WIRING SEE DRAWING: N/A

908096
DRAWING: DRW-22926 ISS: A10
07/09/2021



Numatic International Spare Parts

Model No: TGB4045/4055 EXPLODED VIEW: TOP TANK

ITEM:	PART No:	DESCRIPTION	COMMENTS:	QTY
1	N/A	TTB-4055 TOP TANK MOULDING (GRAPHITE GREY)		1
2	219919	32MM-50MM STAINLESS STEEL HOSE CLIP		1
3	237381	INTEGRATED CHASSIS SEPARATOR		1
4	392200	FILTER GASKET RING		1
5	237090	SEPARATOR FLOAT MOULDING (MK 2)		1
6	237526	38MM RED DRAIN HOSE CONNECTOR		1
7	237018	38MM DRAIN HOSE CONNECTOR		1
8	902919	CLIP MOULDING (RED)		2
9	219852	N06 X 1/2 LONG POZI PAN STAINLESS STEEL SELF TAP SCREW		4
10	219569	N08 X 1/2 INCH LONG POZI PAN STAINLESS STEEL PLASTITTE SCREW		4
11	219310	RUBBER WASHER		2
12	206315	TUBE END PLUG		3
13	206265	TT/B 3/4S BARREL FILTER		1
14	206116	BLACK NUT		2
15	208591	NEW SEPARATOR GASKET		1
16	N/A	35MM X 690MM LONG 3:1 STRETCH HOSE (SHORT & LONG CUFF)		1
17	N/A	VAC HOSE 650MM X Ø38MM		1
18	237718	HOSE GUIDE		1
19	237382	ACETAL HOSE CLIP MOULDING		1
20	N/A	35MM X 250MM STRETCH HOSE (3:1) CW ADJUSTABLE CUFF + CAP		1
20a	900903	HOSE CLOSURE REPLACEMENT KIT (35MM-38MM STRETCH HOSE)	SPARE ITEM	1
21	906070	MESHLESS FILTER BASKET		1
22	291135	M5 X 10MM LONG STAINLESS STEEL POZI PAN SEMS SCREW		2

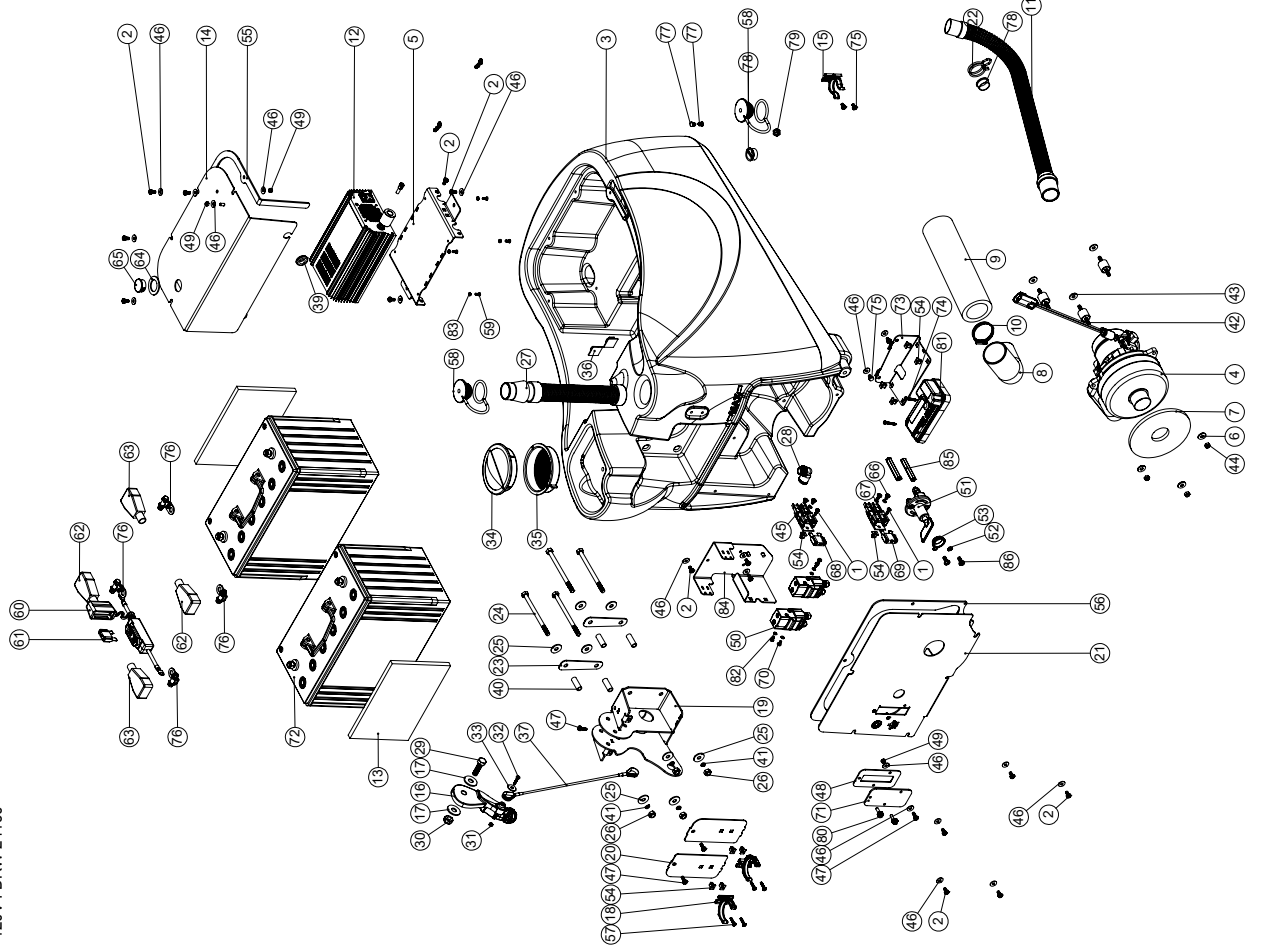
Numatic International Spare Parts

Model No: TGB4055T EXPLODED VIEW: BOTTOM TANK

910879
DRAWING: DRW-23-403 ISS:A18
11/10/2022

NB: FOR WIRING SEE DRAWING.

230V : DRW-24133
120V : DRW-24136



Numatic International Spare Parts

Model No: TGB4055T EXPLODED VIEW: BOTTOM TANK

ITEM	PART No	DESCRIPTION	COMMENTS	QTY.
1	2195689	N68 X 1/2 INCH LONG POZI PAN STAINLESS STEEL PLASTITE SCREW		1
2	291131	M5 X 12MM LONG STAINLESS STEEL POZI PAN SEMS SCREW		15
3	909624	TGB045555 BOTTOM TANK MOLDING (GRAPHITE)	MODELS WITH LOGO	1
4	909625	TGB045555 BOTTOM TANK MOLDING (GRAPHITE) EP	MODELS WITHOUT LOGO	1
5	915495	24V TANGENTIAL DISCHARGE 2-STAGE VAC MOTOR ASSEMBLY		1
6	909285	CHARGER PLATE CW INSERT M/S PAINTED SILVER		1
7	219647	M6 FORM G STAINLESS STEEL WASHER		3
8	219648	M6 FORM G STAINLESS STEEL WASHER		3
9	219649	M6 FORM G STAINLESS STEEL WASHER		3
10	219650	M6 FORM G STAINLESS STEEL WASHER		3
11	219651	M6 FORM G STAINLESS STEEL WASHER		3
12	219652	M6 FORM G STAINLESS STEEL WASHER		3
13	219653	M6 FORM G STAINLESS STEEL WASHER		3
14	219654	M6 FORM G STAINLESS STEEL WASHER		3
15	219655	M6 FORM G STAINLESS STEEL WASHER		3
16	219656	M6 FORM G STAINLESS STEEL WASHER		3
17	219657	M6 FORM G STAINLESS STEEL WASHER		3
18	219658	M6 FORM G STAINLESS STEEL WASHER		3
19	219659	M6 FORM G STAINLESS STEEL WASHER		3
20	219660	M6 FORM G STAINLESS STEEL WASHER		3
21	219661	M6 FORM G STAINLESS STEEL WASHER		3
22	219662	M6 FORM G STAINLESS STEEL WASHER		3
23	219663	M6 FORM G STAINLESS STEEL WASHER		3
24	219664	M6 FORM G STAINLESS STEEL WASHER		3
25	219665	M6 FORM G STAINLESS STEEL WASHER		3
26	219666	M6 FORM G STAINLESS STEEL WASHER		3
27	219667	M6 FORM G STAINLESS STEEL WASHER		3
28	219668	M6 FORM G STAINLESS STEEL WASHER		3
29	219669	M6 FORM G STAINLESS STEEL WASHER		3
30	219670	M6 FORM G STAINLESS STEEL WASHER		3
31	219671	M6 FORM G STAINLESS STEEL WASHER		3
32	219672	M6 FORM G STAINLESS STEEL WASHER		3
33	219673	M6 FORM G STAINLESS STEEL WASHER		3
34	219674	M6 FORM G STAINLESS STEEL WASHER		3
35	219675	M6 FORM G STAINLESS STEEL WASHER		3
36	219676	M6 FORM G STAINLESS STEEL WASHER		3
37	219677	M6 FORM G STAINLESS STEEL WASHER		3
38	219678	M6 FORM G STAINLESS STEEL WASHER		3
39	219679	M6 FORM G STAINLESS STEEL WASHER		3
40	219680	M6 FORM G STAINLESS STEEL WASHER		3
41	219681	M6 FORM G STAINLESS STEEL WASHER		3
42	219682	M6 FORM G STAINLESS STEEL WASHER		3
43	219683	M6 FORM G STAINLESS STEEL WASHER		3
44	219684	M6 FORM G STAINLESS STEEL WASHER		3
45	219685	M6 FORM G STAINLESS STEEL WASHER		3
46	219686	M6 FORM G STAINLESS STEEL WASHER		3
47	219687	M6 FORM G STAINLESS STEEL WASHER		3
48	219688	M6 FORM G STAINLESS STEEL WASHER		3
49	219689	M6 FORM G STAINLESS STEEL WASHER		3
50	219690	M6 FORM G STAINLESS STEEL WASHER		3
51	206746	MASTER KEY SWITCH & KEY		2
52	902353	M6 EXTERNAL SHAKEPROOF WASHER STAINLESS STEEL		2
53	902331	OF PVC GROMMET (26MM X 22MM X 2MM)		1
54	900986	NYLON GROMMET NUT (PLASTIC INSERT TO SUIT No 8 PLASTITE SCREW)		10
55	909284	CHARGER COVER GASKET (2)		1
56	909293	BACK PLATE GASKET (2)		1
57	909294	BACK PLATE GASKET (2)		1
58	909295	BACK PLATE GASKET (2)		1
59	902533	N68 X 3/8 INCH LONG POZI PAN SELF-TAP SCREW STAINLESS STEEL		4
60	903175	IP67 FUSE HOLDER - LITTLE FUSE MAHC0001ZXJ 210 RING RING		4
61	221047	40 AMP MAXI FUSE		1
62	208936	BLACK BATTERY TERMINAL COVER (415NBV14)		2
63	208935	RED BATTERY TERMINAL COVER (415NBV02)		2
64	902328	WINDOW PLUG GASKET		1
65	206314	WINDOW PLUG		1
66	219684	M5 X 8MM LONG POZI PAN SCREW Z/P		4
67	219685	M5 X 8MM LONG POZI PAN SCREW Z/P		4
68	219686	M5 X 8MM LONG POZI PAN SCREW Z/P		4
69	219687	M5 X 8MM LONG POZI PAN SCREW Z/P		4
70	219688	M5 X 8MM LONG POZI PAN SCREW Z/P		4
71	903602	FUSE COVER PLATE		4
72	230138	98 A/H STUD TERMINAL GEL TYPE BATTERY		2
73	220667	12V TRACTION BLOCK BATTERY		2
74	219826	N08 X 1/4 INCH LONG POZI DRIVE COUNTERSUNK HEAD SCREW		1
75	219827	N08 X 1/4 INCH LONG POZI DRIVE COUNTERSUNK HEAD SCREW		1
76	220456	BATTERY TERMINAL POSITIVE (+)		4
77	220454	BATTERY TERMINAL POSITIVE (+)		2
78	904403	BARBED RIVET BLACK		2
79	904108	BARBED RIVET BLACK		2
80	904491	M5 X 16MM SLOT KNURLED THUMB SCREW NYLON (WHITE)		1
81	907788	PROGRAMMED 70A MOTOR CONTROLLER (TGB4055T)		2
82	291145	M4 SHAKEPROOF WASHER STAINLESS STEEL		1
83	904219	M5 STAINLESS STEEL WASHER		4
84	904217	M5 STAINLESS STEEL WASHER		4
85	909639	60MM HEXAGONAL SPACER (M6 FEMALE TO FEMALE)		2
86	219646	M6 X 16MM LONG POZI PAN STAINLESS STEEL SCREW		2

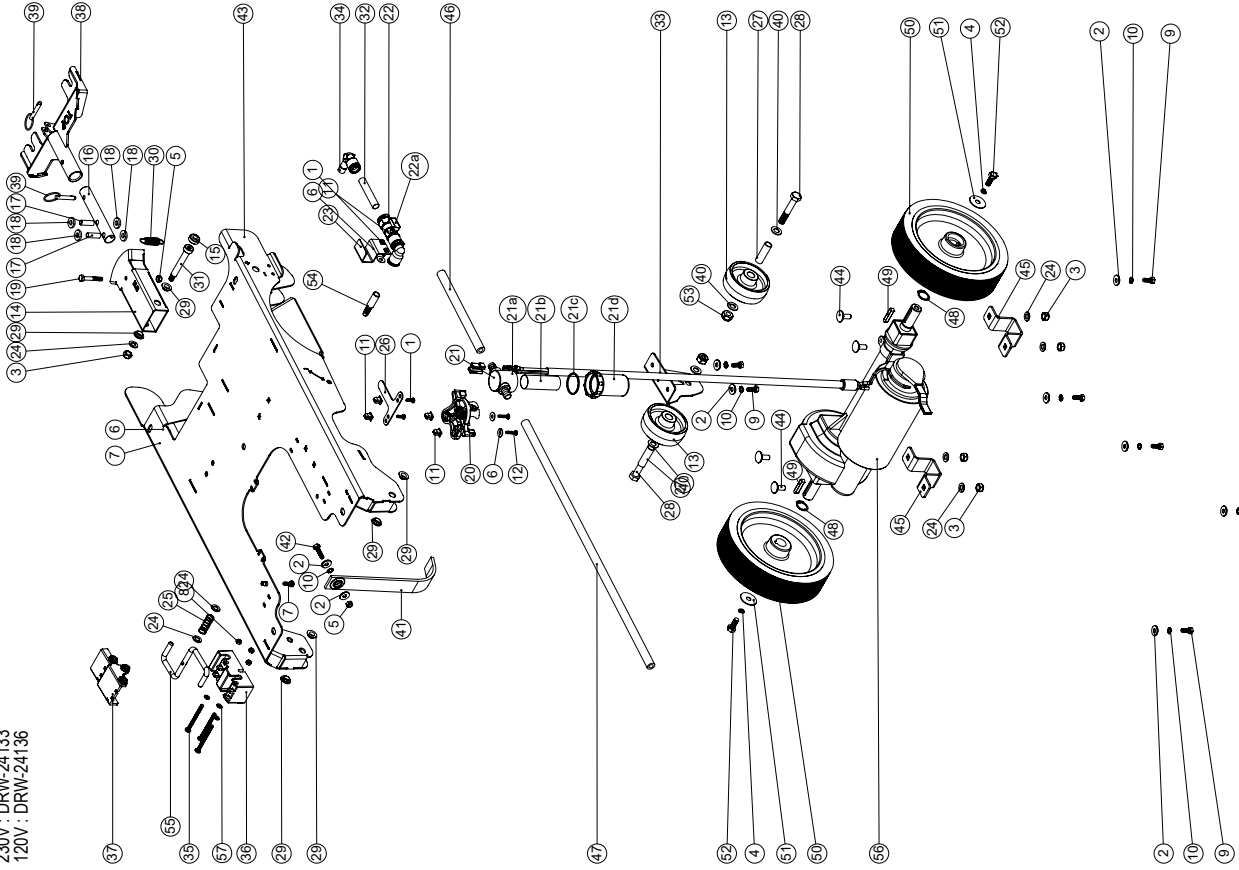
Numatic International Spare Parts

Model No: TGB4055T EXPLODED VIEW: CHASSIS

NB: FOR WIRING SEE DRAWING.

230V : DRW-24133
120V : DRW-24136

910878
DRAWING: DRW-23-402 ISS A12
30/07/2019



Numatic International Spare Parts

Model No: TGB4055T EXPLODED VIEW: CHASSIS

ITEM:	PART No:	DESCRIPTION	COMMENTS:	QTY.
1	219669	M8 X 1/2 INCH LONG POZI PAN STAINLESS STEEL PLASTITE SCREW		4
2	219647	M6 FORM G STAINLESS STEEL WASHER		9
3	219639	M8 STAINLESS STEEL NYLON INSERT NUT		5
4	219898	M8 SINGLE COIL STAINLESS STEEL WASHER		2
5	219642	M6 STAINLESS STEEL NYLON INSERT NUT		2
6	219644	M5 FORM G STAINLESS STEEL WASHER		5
7	291132	M5 X 16MM LONG STAINLESS STEEL POZI PAN SEMS SCREW		2
8	219633	M6 STAINLESS STEEL NYLON INSERT NUT		2
9	219719	M6 X 16MM LONG HEXAGONAL STAINLESS STEEL HEAD BOLT		7
10	902353	M6 EXTERNAL SHAKEPROOF WASHER STAINLESS STEEL		8
11	900986	NYLON GROMMET NUT (PLASTIC INSERT TO SUIT No 8 PLASTITE SCREW)		6
12	219668	M8 X 3/4 INCH LG. POZI-PAN SCREW STAINLESS STEEL PLASTITE		2
13	206713	80MM DIAMETER WHITE WHEEL		2
14	304359	T7TTTB4045/4056 SQUEEGEE MOUNT WELD ASSEMBLY		1
15	237632	SHOULDER BOLT COVER		1
16	304356	FLOOR TOOL PIVOT TUBE		1
17	206954	SPIRO SPACER		2
18	206964	SLIDE NYLON SPACER		4
19	291125	M6 X 40 LONG HEX BOLT STAINLESS STEEL		1
20	901006	FILTER MOUNTING BRACKET		1
21	208888	EXTENDED STRAINER		1
21a	208827	STRAINER BLACK TOP		1
21b	208889	EXTENDED STRAINER 50 MESH SCREEN	SPARE PART	1
21c	208830	STRAINER GASKET	SPARE PART	1
21d	208890	EXTENDED STRAINER CLEAR BOWL	SPARE PART	1
22	901541	12MM SWIVEL ELBOW PUSH FIT TO 12MM PUSH FIT BALL VALVE ASSEMBLY	SPARE PART	1
22a	901544	TAP HANDLE C/W COVER AND M8X6MM SCREW (SPARE ITEM)	SPARE PART	1
23	392314	10MM TAP BRACKET		1
24	219578	M8 FORM A STAINLESS STEEL WASHER		7
25	208578	DECK LOCK SPRING		1
26	321902	SILENCER CLAMP		1
27	391440	1/2 INCH X 18G X 41MM LONG STAINLESS STEEL SPACER TUBE		2
28	219894	M10 X 60MM LONG HEXAGONAL STAINLESS STEEL BOLT		2
29	208312	IGUS BEARING (GFM 101205)		6
30	208619	FLOOR TOOL SPRING		1
31	208574	M8 X 10 X 60MM LONG HEX SOCKET SHOULDER BOLT		1
32	901553	NYLON TUBE 12MM OD X 10MM ID (65MM)		1
33	903611	TGB TRANSPORT WHEEL BRACKET WELD ASSEMBLY PAINT SILVER		1
34	901545	ELBOW ANGLE CONNECTOR 12MM PUSH IN TO 12MM STEM		1
35	901558	M5 X 60MM STAINLESS STEEL POZI PAN MACHINE SCREW		3
36	901280	LATCH BLOCK BOTTOM MOULDING		1
37	901279	LATCH BLOCK TOP MOULDING		1
38	304466	FLOOR TOOL BRACKET ASSEMBLY (T7TTTB4045/4055)		1
39	206953	DETENT PINS		2
40	219803	M10 FORM A STAINLESS STEEL WASHER		4
41	903683	ANTI-STATIC STRAP (CUT TO LENGTH: 270MM LONG)		1
42	219825	M6 X 25MM LONG STAINLESS STEEL HEX SCREW		1
43	904155	TGB4055T TRACTION CHASSIS WELD ASSY PAINTED SILVER		1
44	291104	M8 X 20 COACH BOLT S/S		4
45	904156	TGB TRANSAXLE MOUNTING BRACKET		2
46	330230	SILICON TUBE 8MM I/D X 3.2MM WALL SECTION (CUT 400MM)		1
47	391216	SILICON TUBE 600MM LONG X 8MM I/D X 3.2MM WALL SECTION		1
48	219889	19MM HEAVY DUTY CIRCLIP		2
49	206744	6MM X 6MM X 32MM FEATHER KEY		2
50	204115	200MM X 50MM TRACTION WHEEL - GREY PU TREAD COMBED PROFILE		2
51	219877	M8 X 30 STAINLESS STEEL WASHER		2
52	219717	M8 X 20MM LONG HEXAGONAL STAINLESS STEEL BOLT		2
53	219887	M10 STAINLESS STEEL NYLON INSERT NUT		2
54	901534	PUSH IN BARBED CONNECTOR - 12MM OD 8MM ID		1
55	904440	DECK LATCH BAR		1
56	904753	465MM LONG ASI TRANSAXLE C/W SHORTINED 640MM WIRES		1
57	219355	M5 FORM A STAINLESS STEEL WASHER		3

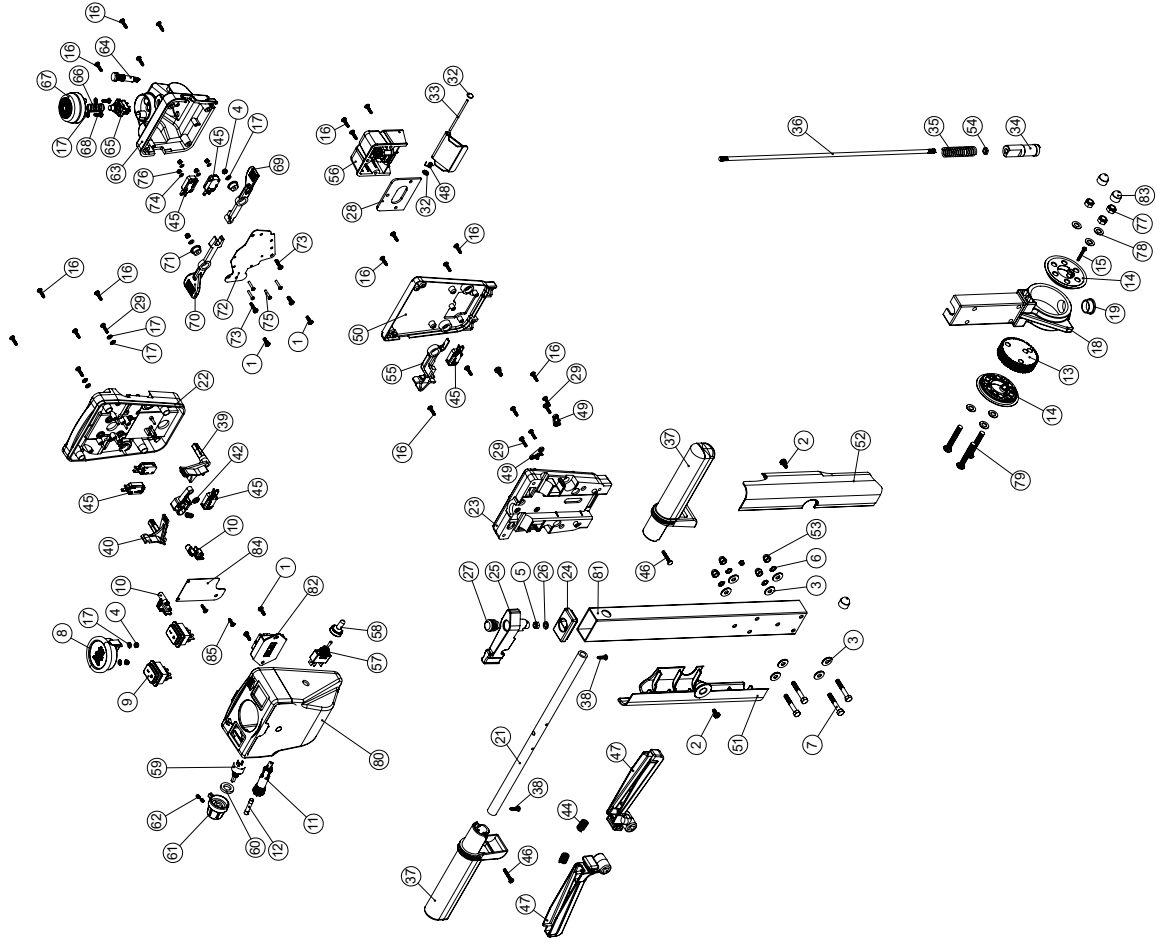
Numatic International Spare Parts

Model No: TGB4055T EXPLODED VIEW: HANDLE

904331
DRAWING: DRW-23-404 ISSA 15
21/09/2022

NB: FOR WIRING SEE DRAWING.

230V : DRW-24133
120V : DRW-24136



Numatic International Spare Parts

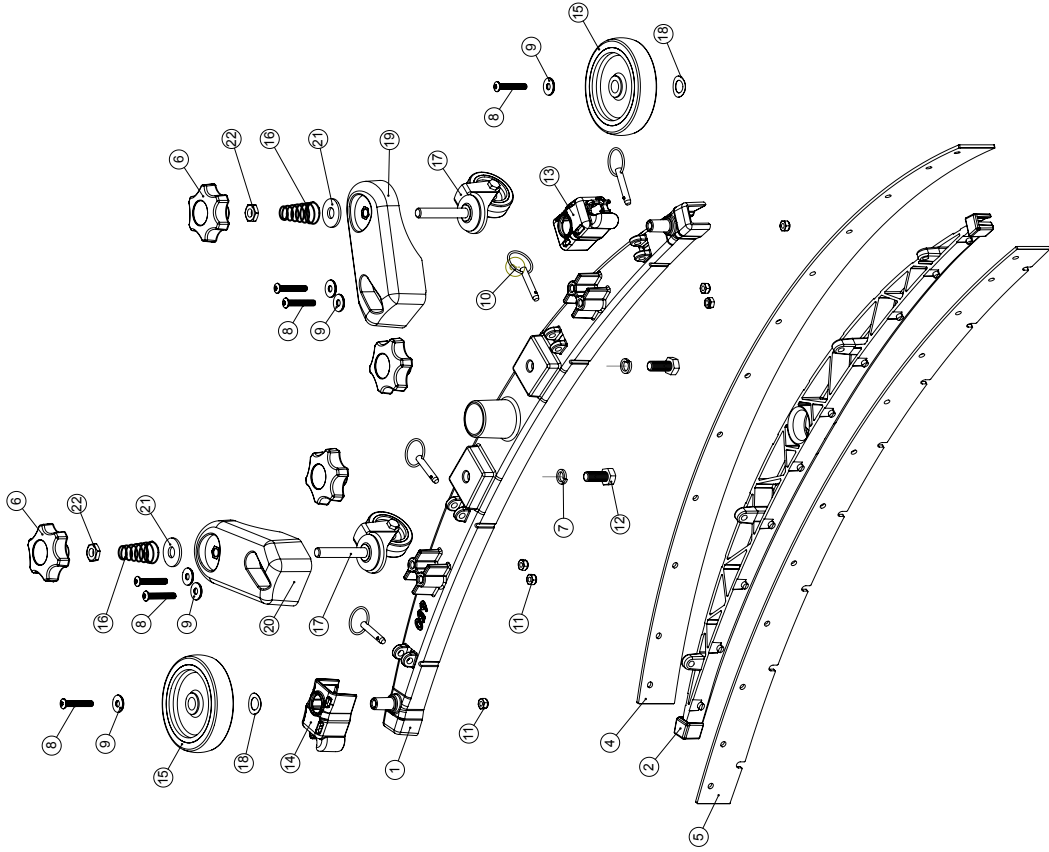
Model No: TGB4055T EXPLODED VIEW: HANDLE

ITEM: PART No:	DESCRIPTION	COMMENTS:	QTY:
1	219659 1/2 INCH LONG POZI PAN STAINLESS STEEL PLASTITE SCREW		5
2	291131 1/8 X 1/2 INCH LONG STAINLESS STEEL POZI PAN SEMS SCREW		3
3	219657 1/8 X 1/2 INCH LONG STAINLESS STEEL POZI PAN SEMS SCREW		3
4	219684 1/8 X 1/2 INCH LONG STAINLESS STEEL NYLON INSERT NUT		1
5	219684 1/8 X 1/2 INCH LONG STAINLESS STEEL NYLON INSERT NUT		1
6	902353 1/8 X 40 LONG HEX BOLT STAINLESS STEEL		4
7	291125 1/8 X 40 LONG HEX BOLT STAINLESS STEEL		4
8	914620 BATTERY HOURS METER NE306	INCLUDES O-RING	1
9	902235 SWITCH DPST RED ILLUMINATED WITH MEMBRANE 24V		2
10	903558 TGB HANDLE BOSS		2
11	903032 BULGIN PANEL MOUNT FUSEHOLDER		1
12	900392 ADJUSTMENT GEAR		1
13	900392 ADJUSTMENT GEAR		1
14	900396 ADJUSTMENT GEAR SPACER		2
15	291150 N06 X 1 INCH LONG POZI PAN SCREW S/S		1
16	219670 N06 X 5/8 INCH LONG PLASTITE STAINLESS STEEL SCREW		19
17	219688 1/4 FORM A STAINLESS STEEL WASHER		10
18	900398 HANDLE CASTING MACHINED (HNS VERSION)		1
19	229209 BLANKING PLUG		1
20	229209 BLANKING PLUG		1
21	338269 CROSS TUBE		1
22	227576 FRONT INNER HALF MOULDING	STANDARD MACHINE	1
23	227576 REAR INNER HALF MOULDING	FLAME RETARDANT 120V	1
24	229509 FLAME RETARDANT REAR INNER HALF MOULDING	STANDARD MACHINE	1
25	903546 NYLON WASHER Moulding (RED)	FLAME RETARDANT 120V	1
26	219493 1/8 NYLON WASHER		1
27	20638V 19MM BLACK TUBE END STOP		1
28	202105 SOCKET COVER SEALING GASKET		1
29	219914 N06 X 5/8 INCH LONG POZI PAN PLASTITE STAINLESS STEEL SCREW		5
30	219107 N06 X 5/8 INCH LONG POZI PAN SCREW Z/PL PLASTITE		1
31	227871 FLAT MOULDING		1
32	227871 FLAT MOULDING		1
33	300976 7MM LONG X 3MM DIAMETER STAINLESS STEEL BAR		2
34	229073 GEAR LOCKING PIN		1
35	229138 SPRING 15.85MM OD 76.5MM FREE LENGTH		1
36	229461 140MM HANDLE LOCKING ROD		1
37	227580 HAND GRIP MOULDING	FLAME RETARDANT 120V USE 237544	2
38	219036 N06 X 3/8 INCH LONG POZI PAN SELF TAPPING SCREW		2
39	227585 LEFT HAND SWITCH OPERATING LEVER MOULDING		1
40	227585 RIGHT HAND SWITCH OPERATING LEVER MOULDING		1
41	227589 SWITCH OPERATING LEVER MOULDING		1
42	219805 4MM SPIREFX		1
43	219804 SWITCH COMPRESSION SPRING		1
44	219803 TRIGGER COMPRESSION SPRING		2
45	229483 SNAP ACTION SWITCH		6
46	219811 N06 X 1 INCH LONG POZI PAN SELF TAP SCREW		2
47	219811 N06 X 1 INCH LONG POZI PAN SELF TAP SCREW		2
48	219816 TRIGGER SPRING (RED)		2
49	229659 O LINE HANDLE CABLE CLAMP		2
50	303509 MODIFIED REAR COVER	STANDARD MACHINE	1
51	303777 PROCESSED TRACTION DRIVE REAR HANDLE COVER (FLAME RETARDANT)	FLAME RETARDANT 120V	1
52	237692 HANDLE CABLE COVER L/H	FLAME RETARDANT 120V USE 904607	1
53	237693 HANDLE CABLE COVER R/H	FLAME RETARDANT 120V USE 904608	1
54	219699 1/8 HALF NUT		4
55	219699 1/8 HALF NUT		1
56	904034 240V EMI FILTER WITH SOCKET COVER ASSEMBLY (PROCESSED)		1
57	904031 120V EMI FILTER WITH SOCKET COVER ASSEMBLY (PROCESSED)	240V VERSION	1
58	206786 SWITCH	120V VERSION	1
59	206785 SWITCH COVER C/W NUT		1
60	270316 POTENTIOMETER TYPE P630 22K OHMS 20% 3W (WITH PANEL SEAL) (ROUND SHAFT WITH FLAT NO SLOT IN SHAFT END)		1
61	293346 SPEED ADJUSTMENT KNOB C/W INSERT (RED)		1
62	219744 1/4 X 6MM LONG BLACK COLOURED GRUB SCREW		2
63	237315 TWINTEC HANDLE REAR POD MOULDING (LESS SPEED CONTROL / DIRECTIONAL SWITCH HOLES)	STANDARD MACHINE	1
64	237316 TWINTEC HANDLE REAR POD MOULDING (LESS SPEED CONTROL / DIRECTIONAL SWITCH HOLES)	FLAME RETARDANT 120V	1
65	270291 GREEN LED INDICATOR 2V C/W 2.2K RESISTOR		1
66	270295 PUSH BUTTON SWITCH		1
67	219816 COMPRESSION SPRING		1
68	227683 EMERGENCY STOP BUTTON		2
69	219601 N06 X 3/8 INCH LONG POZI PAN PLASTITE SCREW		2
70	904159 TRACTION TRIGGER (RED)		1
71	206579 SHOULDERED SPACER		2
72	329298 DIRECTION TRIGGER MOUNTING PLATE		2
73	219862 1/4 X 18MM LONG POZI PAN STAINLESS STEEL SCREW		2
74	219501 M3 FORM A STAINLESS STEEL WASHER		4
75	902065 M3 X 16MM LONG POZI PAN SCREW STAINLESS STEEL		4
76	219154 M3 NYLON INSERT NUT STAINLESS STEEL		4
77	219578 M3 FORM A STAINLESS STEEL WASHER		4
78	219578 M3 FORM A STAINLESS STEEL WASHER		3
79	219322 M8 X 50MM LONG SOCKET BUTTON HEAD STAINLESS STEEL BOLT		3
80	903557 TGB HANDLE FRONT COVER (TRACTION) FRPP	STANDARD MACHINE	1
81	903603 TGB TTG 4.30MM PROCESSED ALL HANDLE PAINT SILVER	FLAME RETARDANT 120V	1
82	907787 DIML TERMINAL BLOCK PCB ASSEMBLY (V2)		1
83	909246 SWITCH GUARD		3
84	909246 SWITCH GUARD		3
85	219318 N06 X 1/2 INCH LONG POZI PAN PLASTITE SCREW (Z/PL)		2

Numatic International Spare Parts
Model No: 650 TWINTEC ALUMINIUM FLOOR TOOL (38MM HOSE, RED TRIM, SERILOR BLADES)

903347
 DRAWING: DRW-22621 ISS:A09
 PRO
 27/03/2018

NB: FOR WIRING SEE DRAWING: N/A



Numatic International Spare Parts
Model No: 650 TWINTEC ALUMINIUM FLOOR TOOL (38MM HOSE, RED TRIM, SERILOR BLADES)

ITEM:	PART No:	Description	Qty
1	208198	(650MM SCRUB WIDTH) ALUMINIUM SQUEEGEE CASTING (38MM HOSE FITTING)	1
2	903345	(650MM SCRUB WIDTH) RED BLADE HOLDER MouldING (SLOPING PROFILE) (32MM & 38MM HOSE FITTING)	1
	900518	650 REPLACEMENT SERILOR GREEN POLYURETHANE BLADES SET	
4	208970	(650MM SCRUB WIDTH) REPLACEMENT (4.0MM / 35-45 SHORE A) REAR LAMINATED SERILOR POLYBLADE (847MM LONG)	1
5	208987	(650MM SCRUB WIDTH) REPLACEMENT (3.2MM / 40 SHORE A) FRONT MONOLAYER SERILOR POLYBLADE (819MM LONG)	1
6	903281	M10 LOBE KNOB (RED)	4
7	219889	M10 SINGLE COIL STAINLESS STEEL WASHER	2
8	219933	M6 X 35MM SOCKET BUTTON HEAD BOLT STAINLESS STEEL	6
9	219647	M6 FORM G STAINLESS STEEL WASHER	6
10	206953	DETENT PINS	4
11	219642	M6 STAINLESS STEEL NYLON INSERT NUT	6
12	219909	M10 X 25MM LONG HEXAGONAL STAINLESS STEEL SCREW	2
13	237322	RIGHT HAND FLOOR TOOL CLIP MouldING	1
14	237323	LEFT HAND FLOOR TOOL CLIP MouldING	1
15	208796	4 INCH WHEEL	2
16	229175	CONICAL SPRING	2
17	907759	50MM DIAMETER GREY TPR TYRED SWIVEL CASTOR C/W M10 X 60 SWAGED STEM.	2
18	219891	13MM WAVEY WASHER	2
19	906860	ADJUSTABLE FLOOR TOOL CASTOR PLASTIC PLATE LEFT	1
20	906859	ADJUSTABLE FLOOR TOOL CASTOR PLASTIC PLATE RIGHT	1
21	291124	M10 PENNY WASHER STAINLESS STEEL	2
22	219951	A4 (STAINLESS STEEL) M10 HEX LOCK NUT (HALF NUT)	2

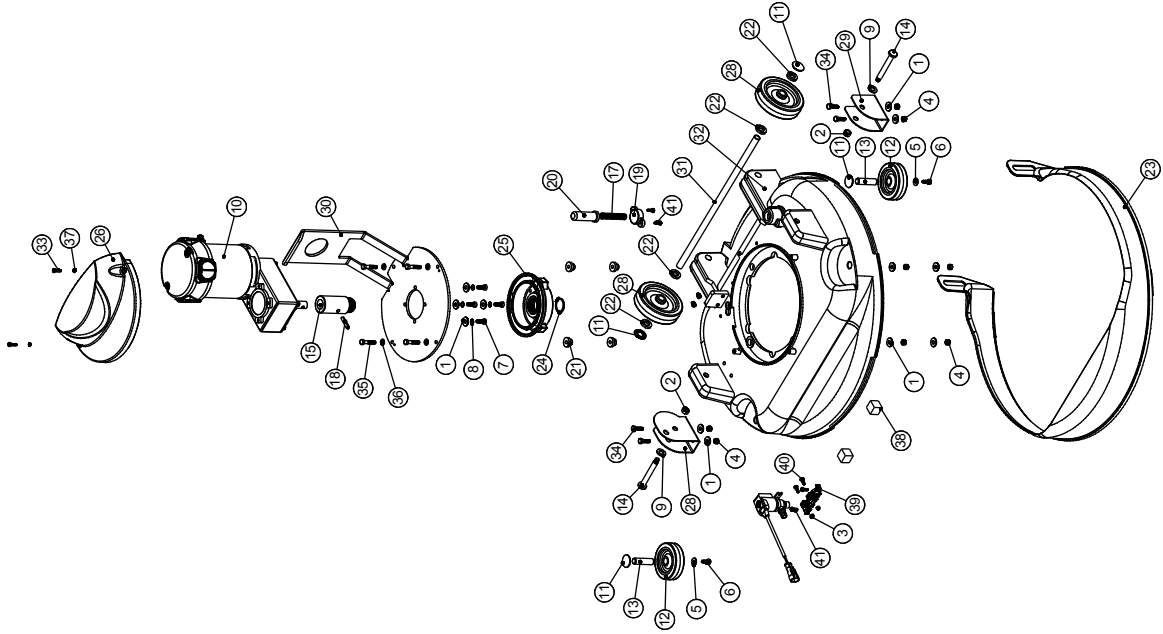
Numatic International Spare Parts

Model No: TGB4055 EXPLODED VIEW: BRUSH DECK

910877
DRAWING: DRW-23008 ISS:A08
03/07/2019

NB: FOR WIRING SEE DRAWINGS:

230V : DRW-22704
120V : DRW-23196



Numatic International Spare Parts

Model No: TGB4055 EXPLODED VIEW: BRUSH DECK

ITEM:	PART No:	DESCRIPTION	COMMENTS:	QTY
1	219647	M6 FORM G STAINLESS STEEL WASHER		12
2	219639	M8 STAINLESS STEEL NYLON INSERT NUT		2
3	219687	M4 STAINLESS STEEL NYLON INSERT NUT		2
4	219642	M6 STAINLESS STEEL NYLON INSERT NUT		8
5	219644	M5 FORM G STAINLESS STEEL WASHER		2
6	291132	M5 X 16MM LONG STAINLESS STEEL POZI PAN SEMS SCREW		2
7	219719	M6 X 16MM LONG HEXAGONAL STAINLESS STEEL HEAD BOLT		4
8	902353	M6 EXTERNAL SHAKEPROOF WASHER STAINLESS STEEL		4
9	219903	M10 FORM A STAINLESS STEEL WASHER		2
10	205245	AMER 100RPM MOTOR		1
11	204021	12.7MM STAINLESS STEEL HUB CAP		4
12	204068	3 INCH GREY WHEEL		2
13	206013	BUFFER WHEEL PIN		2
14	208626	T/T/TB4055 PIVOT PIN		2
15	208727	DRIVE SHAFT		1
16	219008	M4 BRASS TAPPEX INSERT		2
17	219692	COMPRESSION SPRING		1
18	291079	6MM X 30MM STAINLESS STEEL ROLL PIN		1
19	223242	PLUNGER MOUNTING PLATE MOULDING		1
20	229128	PLUNGER		1
21	229285	MOTOR MOUNTING SPACER		4
22	229346	SPACER		4
23	229562	SPLASH SKIRT MOULDING		1
24	230048	26MM EXTERNAL CIRCLIP		1
25	230207	DIE CAST CHUCK MACHINED		1
26	237380	AMER MOTOR COVER		1
28	329112	100MM WHEEL		2
28	392248	DECK MOUNT BRACKET		1
29	392279	DECK MOUNT RH (650 DECK VERSION)		1
30	392362	MOTOR ADAPTOR PLATE PAINT SILVER GREY		1
31	391439	1/2 INCH DIAMETER X 18G STAINLESS STEEL TUBE (0.375)		1
32	304404	TTB4055 DECK MOULDING DRILLED (NEW DESIGN)		1
33	219662	M4 X 16MM LONG POZI PAN STAINLESS STEEL SCREW		2
34	219976	M6 X 20MM LONG HEXAGONAL HEAD SET SCREW		4
35	291022	M6 X 30MM LONG STAINLESS STEEL HEXAGONAL HEAD BOLT		4
36	219870	M6 FORM A WASHER STAINLESS STEEL		4
37	291145	M4 SHAKEPROOF WASHER STAINLESS STEEL		2
38	902352	FOAM SPACER 20MM		2
39	902556	SOLENOID MOUNT MOULDING		1
40	219890	M4 X 12MM LONG POZI PAN STAINLESS STEEL SCREW		2
41	219569	N68 X 1/2 INCH LONG POZI PAN STAINLESS STEEL PLASTITE SCREW		4
42	902949	TERMINATED SOLENOID CABLE BLACK: 1.25.0M5.2.24		1

Numatic International Limited (Head Office)

Chard, Somerset TA20 2GB, UNITED KINGDOM

Tel: 01460 68600 numatic.com

Numatic International GmbH

Fränkische Straße 15-19, 30455 Hannover, DEUTSCHLAND

Tel: +49 (0) 511 984 2160 numatic.de

Numatic International Denmark

Fränkische Straße 15-19, 30455 Hannover, DEUTSCHLAND

Tel: +45 (0) 316 40808 numatic-online.dk

Numatic International S.A.S

13/17 rue du Valengelier, EAE la Tuilerie, 77500 Chelles, FRANCE

Tel: +33 (0) 164 726 161 numatic.fr

Numatic International BV

Vennootsweg 15, 2404 CG, Alphen aan den Rijn, NEDERLAND

Tel: +31 (0) 172 467 999 numatic.nl

Numatic International Schweiz AG.

Sihlbruggstrasse 3A, 6340 Baar, SCHWEIZ

Tel: +41 (0) 41 768 0760 numatic.ch

Numatic International (PTY) Ltd.

Cnr. 16th & Pharmaceutical Road, Randjes Park, Midrand 1685, SOUTH AFRICA

Tel: +27 (0) 861 686 284 numatic.co.za

Numatic International ULDA

Rua Francisco da Silva Duarte, nº79,

4475-269 Santa Maria de Avioso, Castelo da Maia, PORTUGAL

Tel: +351 220 047 700 numatic.pt

Numatic International Spain, S.L.U.

Av. Baix Llobregat, 5-7, Oficina bajos 1 (Parc Negocis Mas Blau II)

08820 El Prat de Llobregat (Barcelona), SPAIN

Tel: +34 93 647 22 22 numatic.es

Numatic International Italy S.R.L

Via Luigi Galvani, 2, Z.I. Talponedo, 33080 Porcia (PN), ITALY

Tel: +39 (0) 434 046 211 numatic.it