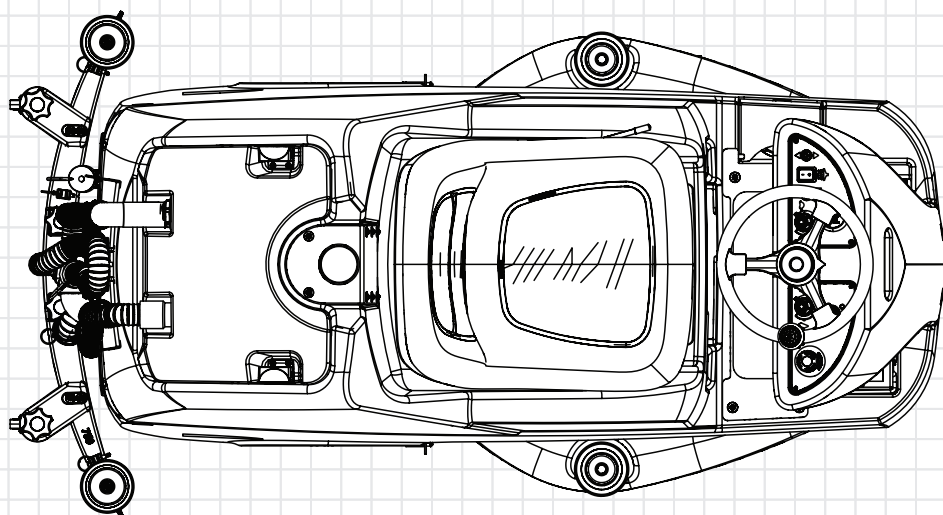
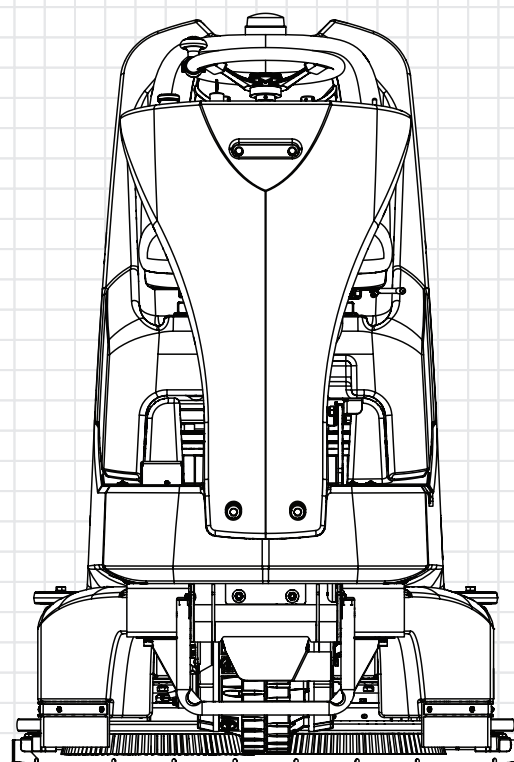
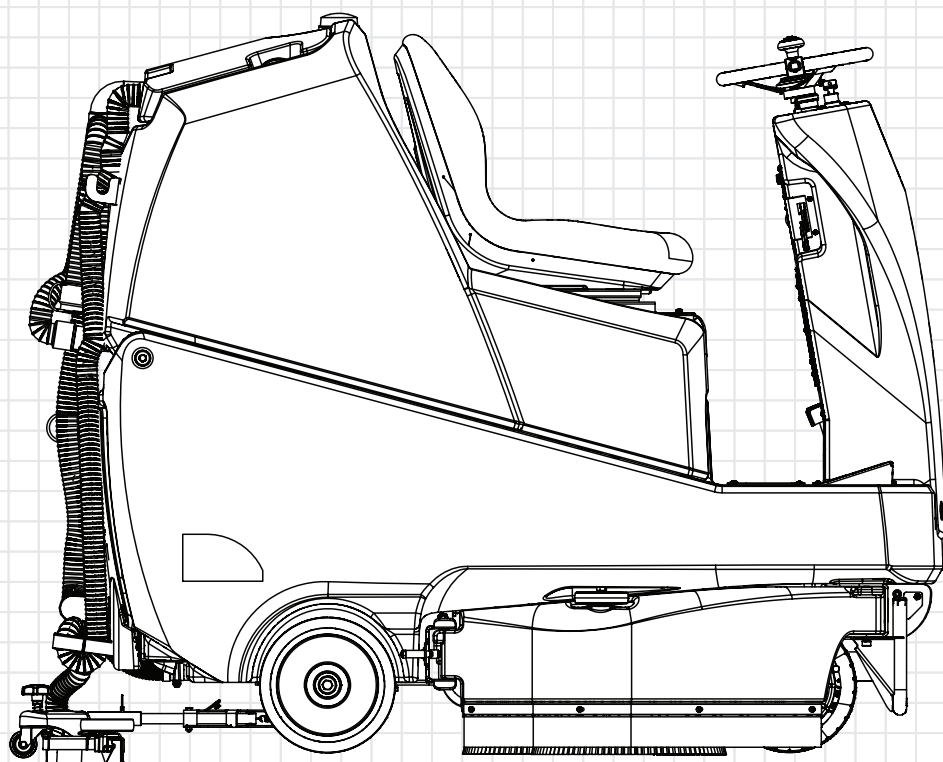


# TRG720



## Service Engineer Exploded Drawings



### DISCLAIMER:

These drawings are for part order reference only and intended for service engineers use.

The installation of Genuine Numatic spare parts should only be executed by Certified Numatic service engineers who specialised and familiar with all relevant safety regulations.

Numatic International Ltd do not accept responsibility or liability for any loss or damage to property or person if repairs or servicing of products are carried out by non-certified persons.

Specifications and parts are subject to change without notice.

**Numatic International Spare Parts**

**Model No.:** TOP TANK ASSEMBLY (TRG)

908971  
DRAWING: DRW-28731 ISS:A18  
13/10/2023

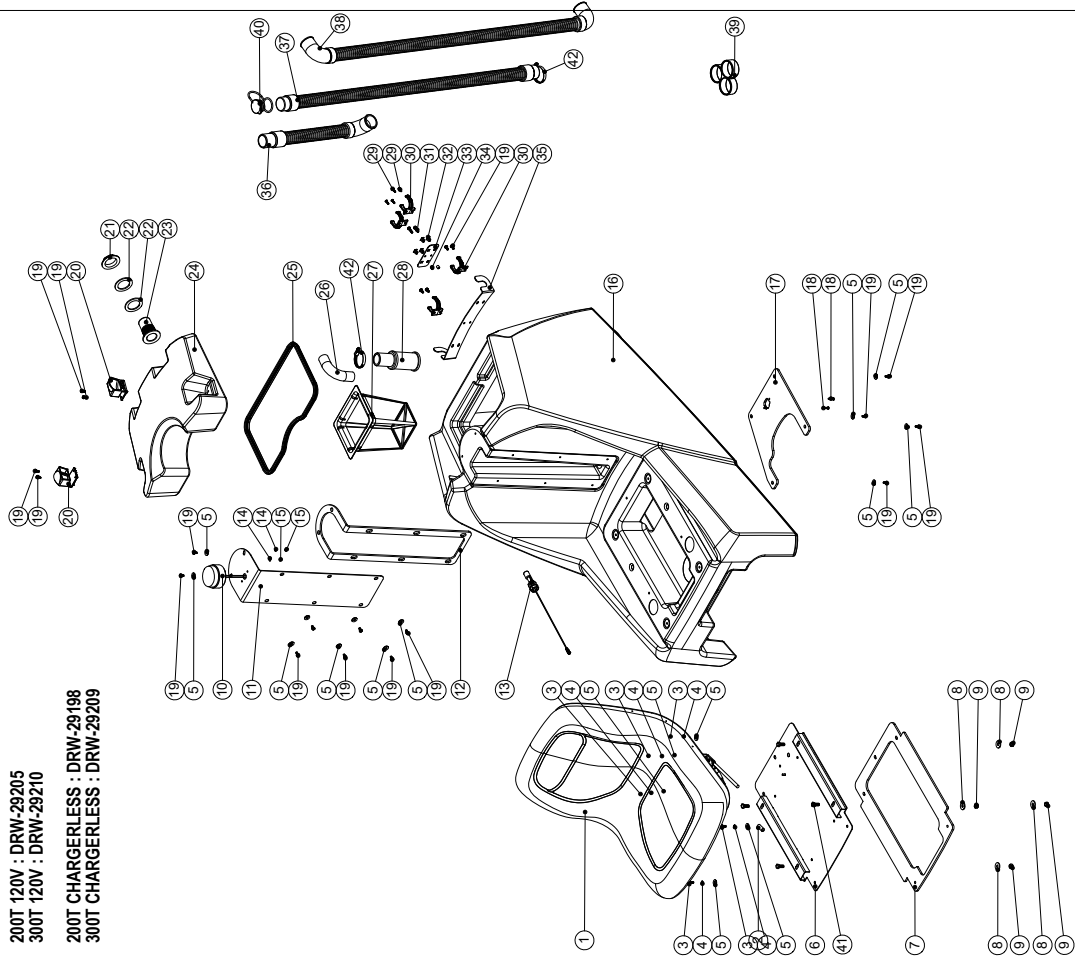
NB: FOR WIRING SEE DRAWING: WD-07??

NB: FOR WIRING SEE DRAWING:

200T 230V : DRW-28669  
300T 230V : DRW-29208

200T 120V : DRW-29205  
300T 120V : DRW-29210

200T CHARGERLESS : DRW-29198  
300T CHARGERLESS : DRW-29209



**Numatic International Spare Parts**

**Model No.:** TOP TANK ASSEMBLY (TRG)

ITEM:	PART No.:	Description	COMMENTS	QTY.
1	910522	MILSCO BACK SEAT XB 180		1
2	908574	RED ROD CAP (30MM)		1
3	219646	M6 X 16MM LONG POZI PAN STAINLESS STEEL SCREW		5
4	291060	WASHER M6 SHAKEPROOF STAINLESS STEEL		5
5	219647	M6 FORM G STAINLESS STEEL WASHER		17
6	908960	TRG SEAT PLATE WELD ASSEMBLY PAINTED SILVER		1
7	908760	SEAT PLATE GASKET		1
8	219716	M8 FORM G STAINLESS STEEL WASHER		4
9	219639	M8 STAINLESS STEEL NYLON INSERT NUT		4
10	208867	FLASHING XENON BEACON X80 SERIES		1
11	908817	BEACON BRACKET & COVER (TRG) M/S		1
12	908117	BEACON BRACKET & COVER GASKET		1
13	902234	FLOAT REED SWITCH ASSEMBLY		1
14	219688	M4 FORM A STAINLESS STEEL WASHER		2
15	219687	M4 STAINLESS STEEL NYLON INSERT NUT		2
16	237337	TTV TOP TANK MOULDING (GRAPHITE)		1
17	908814	TOP TANK CONNECTOR PLATE (TRG) PIP		1
18	219568	N08-3/4 INCH LG. POZI-PAN. SCREW-STAINLESS STEEL PLASTITE		2
19	291131	M5 X 12MM LONG STAINLESS STEEL POZI PAN SEMS SCREW		20
20	902919	CLIP MOULDING (RED)		2
21	206116	BLACK NUT		1
22	219310	RUBBER WASHER		2
23	237526	38MM RED DRAIN HOSE CONNECTOR		1
24	237336	TTV SEPARATOR MOULDING (GRAPHITE)		1
25	391209	1225MM LONG SEALING STRIP		1
26	909398	90° ISO BEND - (BS4625 PT2 LONG)		1
27	908342	TANK FILTER (RED)		1
28	909396	FLOAT BASKET FILTER		1
29	219569	N08 X 1/2 INCH LONG POZI PAN STAINLESS STEEL PLASTITE SCREW		4
30	237754	35-38MM HOSE CLIP		4
31	291133	M5 X 20MM LONG STAINLESS STEEL POZI PAN SEMS SCREW		2
32	900866	NYLON GROMMET NUT (PLASTIC INSERT TO SUIT No 8 PLASTITE SCREW)		4
33	902516	HOSE CLIP BRACKET		1
34	208475	8MM SPACER		2
35	329904	RIDE-ON SQUEEGEE STORAGE BRACKET		1
36	213059	SUCTION HOSE 1480MM X Ø38MM		1
37	908990	DUMP HOSE 1100MM X Ø38MM		1
38	213060	VAC HOSE 1060MM X Ø38MM		1
39	237718	HOSE GUIDE		1
40	900901	RED HOSE CLOSURE (35MM-38MM)		1
41	219717	M8 X 20MM LONG HEXAGONAL STAINLESS STEEL BOLT		4
42	219919	32MM-50MM STAINLESS STEEL HOSE CLIP		2

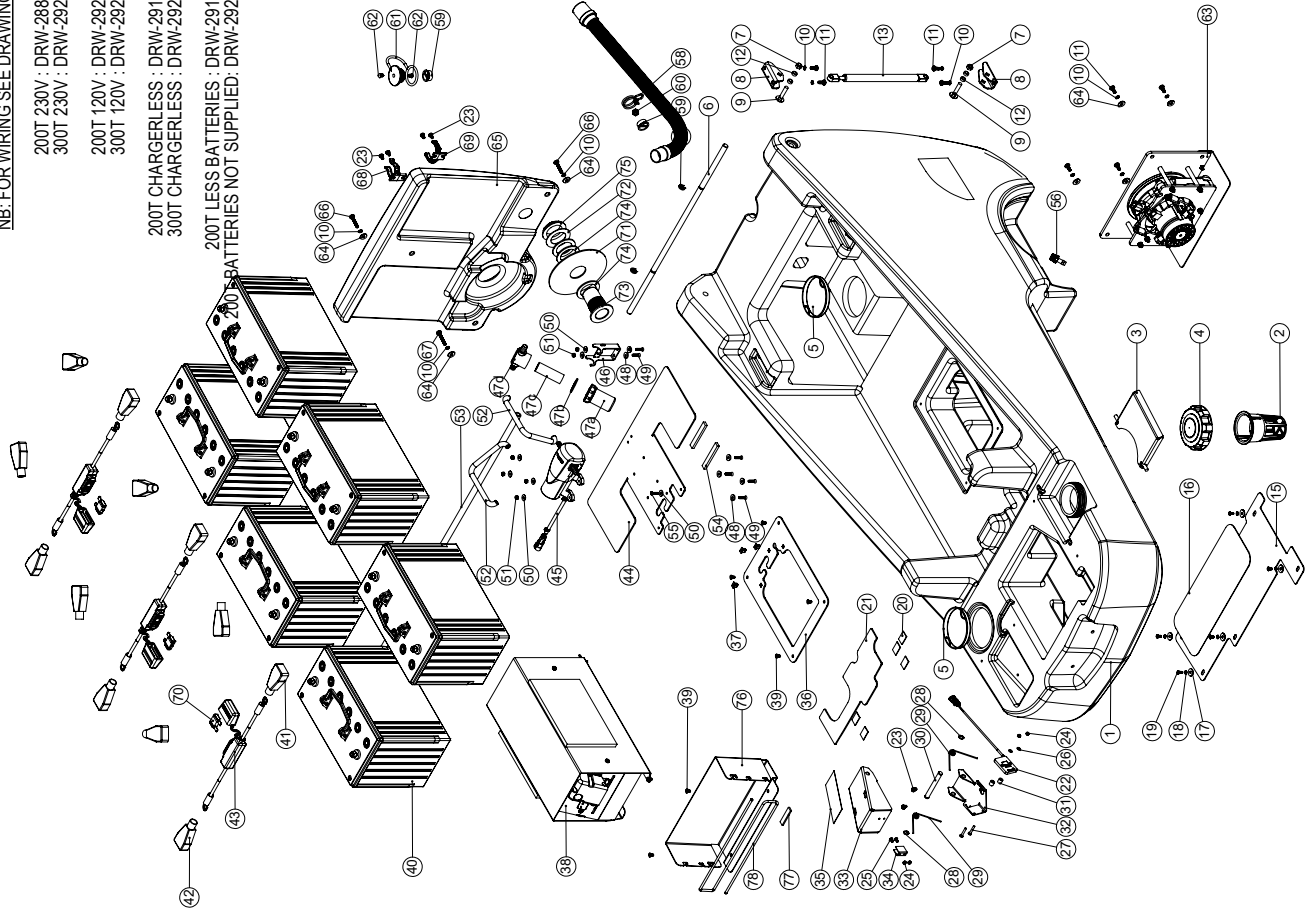
# Numatic International Spare Parts

Model No: BOTTOM TANK ASSEMBLY (TRG) EXPLODED DRAWING

Internal Code: 90871 000120001 000001 00002 00003 00004 00005 00006  
 DRAWING: DRW-28773 ISS:A08  
 11/10/2022

NB: FOR WIRING SEE DRAWING:

- 200T 230V : DRW-28869
- 300T 230V : DRW-29208
- 200T 120V : DRW-29205
- 300T 120V : DRW-29210
- 200T CHARGERLESS : DRW-29198
- 300T CHARGERLESS : DRW-29209
- 200T LESS BATTERIES : DRW-29196
- 300T BATTERIES NOT SUPPLIED: DRW-29203



# Numatic International Spare Parts

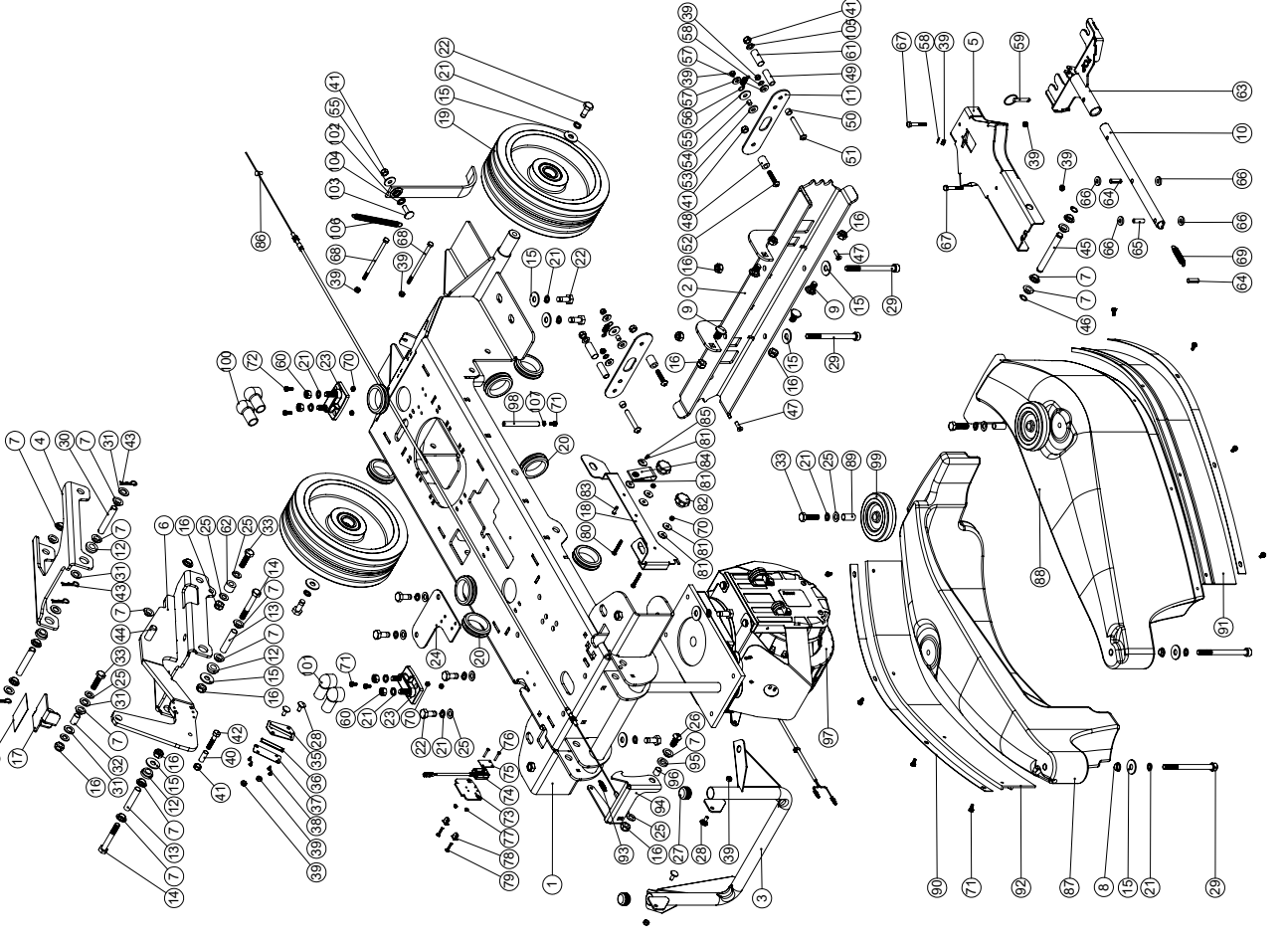
Model No: BOTTOM TANK ASSEMBLY (TRG) EXPLODED DRAWING

ITEM:	PART No:	DESCRIPTION	COMMENTS:	QTY
1	908838	TRG BOTTOM TANK MouldING	WITH LOGO	1
2	908972	TRG BOTTOM TANK MouldING (EP)	WITHOUT LOGO	1
3	904197	BOTTOM TANK FILLING FILTER RED		1
4	908751	FILLER CAP COVER WELD ASSEMBLY		1
5	904198	RED FILLER CAP		1
6	219452	100MM DIAMETER HOLE PLUG		2
7	208071	TOP TANK PIVOT TUBE		2
8	219639	M8 STAINLESS STEEL NYLON INSERT NUT		2
9	392455	GAS STRUT BRACKET - CARRIAGE BOLT		2
10	291120	M8 X 40 CARRIAGE BOLT S/S		2
11	291060	WASHER M6 SHAKEPROOF STAINLESS STEEL		11
12	219646	M6 X 16MM LONG POZI PAN STAINLESS STEEL SCREW		8
13	291121	NYLON SPACER I/D 8.2MM X OD 12MM X 5MM LG		4
14	208042	GAS STRUT		2
15	208072	PLASTIC FIXING RING		2
16	329839	FLOOR PLATE	ON-BOARD CHARGER	1
17	208698	ANTI-SLIP TREAD PAD (SELF ADHESIVE)	CHARGERLESS ONLY	1
18	291118	M5 STAINLESS STEEL WASHER 16MM OD		5
19	291084	M5 SHAKEPROOF WASHER STAINLESS STEEL		5
20	291004	M5 X 10MM LONG STAINLESS STEEL BUTTON HEAD SCREW		5
21	392426	TRG M6 X 3MM POLYURETHANE COVER		1
22	N/A	GILL SENSOR ASSEMBLY C/W EDAC E-WAY PLUG		1
23	291135	M5 X 10MM LONG STAINLESS STEEL POZI PAN SEIMS SCREW		6
24	219687	M4 STAINLESS STEEL NYLON INSERT NUT		4
25	219697	M4 X 8MM LONG POZI PAN STAINLESS STEEL SCREW		2
26	219688	M4 FORM A STAINLESS STEEL WASHER		2
27	291165	M4 X 25MM LONG POZI SCREW STAINLESS STEEL		2
28	219596	10MM EXTERNAL CIRCLIP		2
29	208047	TORSION SPRING (LEFT HAND)		2
30	208046	CIRCLIP BAR		2
31	219574	NYLON SPACER		2
32	329841	ACCELERATOR HINGE PLATE		1
33	329840	ACCELERATOR PEDAL COVER		1
34	329842	GILL SENSOR ACTIVATOR PLATE - PAINTED SILVER GREY		1
35	908855	ACCELERATOR GRIP PAD (RED)		1
36	908857	MID ADAPTOR PLATE (TRG) PP		1
37	908999	200T 230V CHARGER ASSEMBLY (TRG)		1
38	908738	120V 230V CHARGER ASSEMBLY (TRG)	DRW-27830 DRW-27844	3
39	908668	CHARGERLESS ENCLOSURE ASSEMBLY (TRG)	DRW-28774	1
40	205112	100 AMP HOUR LONG POZI PAN COUNTERSUNK STAINLESS STEEL SCREW		6
41	907478	RED BATTERY REPLACEMENT BATTERY (C/W PACKAGING FOR 230138 BATTERY)		6
42	907479	BLACK BATTERY TERMINAL COVER (Ø15.9)		6
43	907866	IP67 FUSE HOLDER - LITTEL FUSE - MAHC0001ZX-IB-356.M10 RING		3
44	908823	WATER PUMP PLATE (TRG) PP		1
45	909713	WATER PUMP ASSEMBLY		1
46	304521	FILTER PLATE ASSEMBLY		1
47	208888	EXTENDED STRAINER		1
47a	208890	EXTENDED STRAINER CLEAR BOWL	SPARE PART	1
47b	208830	STRAINER GASKET	SPARE PART	1
47c	208889	EXTENDED STRAINER 50 MESH SCREEN	SPARE PART	1
47d	208827	STRAINER BLACK TOP	SPARE PART	1
48	219573	SCREW INSULATOR		6
49	905558	M5 X 20MM LONG POZI PAN COUNTERSUNK SCREW ST/ST		6
50	219644	M5 FORM G STAINLESS STEEL WASHER		7
51	219633	M5 STAINLESS STEEL NYLON INSERT NUT		6
52	391494	SILICON TUBE 8MM I/D X 3.2MM WALL SECTION (CUT 370MM)		2
53	908857	12MM WHITE 6MM THICK INSULATOR (600T)		1
54	212676	12MM WHITE 6MM THICK INSULATOR (600T)		2
55	219399	3/8 BSP FEMALE C/W UNDERCUT & O RING TO 10.5MM HOSETAIL		1
56	N/A	DUMP HOSE		1
58	902133	SPRING WIRE CLAMP (VDNAC-Y8010356)		1
59	904108	FLOAT STOP MouldING		2
60	904109	FLOAT MouldING		2
61	903341	32MM HOSE CAP RED (C/W 8MM HOLE)		1
62	904403	BARBED RIVET BLACK		1
63	908858	VAC MOTOR ASSEMBLY (TRG) 3 STAGE	DRW-28717	2
64	219647	M6 FORM G STAINLESS STEEL WASHER	DRW-28724	1
65	237021	VARIO 3 STAGE BACK DOOR MouldING		7
66	219643	M6 X 35MM LONG STAINLESS STEEL POZI PAN SCREW		2
67	219982	M6 X 40MM LONG POZI PAN STAINLESS STEEL SCREW		2
68	901916	28mm HOSE CLIP		1
69	237754	135-38MM HOSE CLIP		1
70	908847	40MM MAX TUBE		1
71	908848	135MM MAX TUBE		3
72	908828	PLASTIC WASHER (6MM OD X 40MM I/D X 1.5MM)		1
73	237526	38MM RED DRAIN HOSE CONNECTOR		1
74	219310	RUBBER WASHER		3
75	206116	BLACK NUT		1
76	304454	TTV678 POCKET PAINTED GREY - NUTS/INSERTED		1
77	212622	50mm LONG - 12MM X 4MM X 1500MM V6 OPEN CELL NATURAL SPONGE		1
78	208598	TTV678 POCKET BUNGEE CORD		1

**Numatic International Spare Parts**  
**Model No:** CHASSIS ASSEMBLY (TRG) EXPLODED DRAWING

908973  
 DRAWING: DRW-28761 ISS:A18  
 06/07/2023

NB: FOR WIRING SEE DRAWING: WD-0772



**Numatic International Spare Parts**  
**Model No:** CHASSIS ASSEMBLY (TRG) EXPLODED DRAWING

ITEM	PART No:	DESCRIPTION	QTY	COMMENTS:
1	908776	CHASSIS WELDED ASSEMBLY (TRG) PAINTED SILVER	1	
2	908758	SIDE POO SLIDE PLATE ASSEMBLY (TRG) ZPL	1	
3	908759	MINI WELD ASSEMBLY (TRG) PAINTED SILVER	1	
4	908757	BRUSH DECK LIFTING PLATE WELDED ASSEMBLY (TRG) ZPL	1	
5	908752	SQUEEGEE LIFTING PLATE WELDED ASSEMBLY (TRG) ZPL	1	
6	908767	BRUSH DECK PEDAL ARM WELD ASSY (TRG) ZPL	1	
7	908803	IGUS BEARING (GFN-1315-06)	18	
8	908804	IGUS BEARING (GFN-1315-06)	18	
9	908840	M10 X 20MM LONG COACH BOLT STAINLESS STEEL	4	
10	908838	PIVOT TUBE WELD ASSEMBLY (TRG)	2	
11	908818	LATCH PLATE (TRG) CW STUD	2	
12	910638	SHOULDER BUSH - Ø12.9MM I/D	2	
13	910638	SHOULDER BUSH - Ø12.9MM I/D	2	
14	904945	M10 X 70MM LONG HEX BOLT STAINLESS STEEL	12	
15	291124	M10 PENNY WASHER STAINLESS STEEL	14	
16	219897	M10 STAINLESS STEEL NYLON INSERT NUT	12	
17	908838	PIVOT TUBE WELD ASSEMBLY (TRG)	2	
18	904916	POWER PLUG BRACKET	1	
19	206839	25MM DIAMETER WHEEL	2	
20	908826	15MM GROMMET X 6MM PANEL THICKNESS	6	
21	219849	M10 STAINLESS STEEL NYLON INSERT NUT	6	
22	219849	M10 STAINLESS STEEL NYLON INSERT NUT	6	
23	908111	POWERBAR DUAL BUSBAR - TWO 2.8" x 1.8"	2	
24	908778	JUNCTION PLATE PAINTED SILVER	1	
25	219903	M10 FORM A STAINLESS STEEL WASHER	13	
26	219903	M10 FORM A STAINLESS STEEL WASHER	13	
27	20687V	25.4MM TUBE END STOP	2	
28	291103	M8 X 18 COACH BOLT SIS	4	
29	908840	M10 X 120 SOCKET CAP SCREW STAINLESS STEEL	4	
30	908840	M10 X 120 SOCKET CAP SCREW STAINLESS STEEL	4	
31	219814	PLASTIC WASHER (TRG)	2	
32	908811	12.7MM DIAMETER X 185 X 20MM LONG STAINLESS STEEL TUBE	2	
33	219856	M10 X 55MM LONG HEXAGONAL STAINLESS STEEL SCREW	5	
34	908948	FOOT PEDAL GRIP PAD (Ø65MM)	1	
35	908948	FOOT PEDAL GRIP PAD (Ø65MM)	1	
36	906860	MAGNET (50 X 10 X 1.5mm)	1	
37	906860	MAGNET COVER (ØRG)	1	
38	208955	SNAP BLACK RIVET (REF SR-3095B)	1	
39	208955	SNAP BLACK RIVET (REF SR-3095B)	1	
40	591151	LEVER PIVOT SPACER Ø55 (M10 I/D X 24MM LONG)	13	
41	219839	M8 STAINLESS STEEL NYLON INSERT NUT	6	
42	291112	M8 X 40 LONG HEX BOLT STAINLESS STEEL	6	
43	591172	SHOULDER WASHERS (Ø90 I/D)	4	
44	206865	PIVOT AXLE Ø6-30MM LONG X Ø8MM I/D X 3.2MM WALL SECTION	1	
45	206865	PIVOT AXLE Ø6-30MM LONG X Ø8MM I/D X 3.2MM WALL SECTION	1	
46	905551	12MM EXTERNAL CIRCUIT SWITCH	2	
47	908272	M8 X 20MM LONG COUNTERSUNK SOCKET SCREW STAINLESS STEEL	2	
48	908814	NYLON SPACER I/D 8.2MM X O/D 12MM X 5.5MM LG	2	
49	908814	NYLON SPACER I/D 8.2MM X O/D 12MM X 5.5MM LG	2	
50	908814	NYLON SPACER I/D 8.2MM X O/D 12MM X 5.5MM LG	2	
51	908814	M8 X 55MM LG SOCKET BUTTON HEAD BOLT STAINLESS STEEL	2	
52	908852	M8 X 55MM SOCKET BOLT STAINLESS STEEL	2	
53	908852	M8 X 55MM SOCKET BOLT STAINLESS STEEL	2	
54	208475	8MM SPACER	2	
55	219716	M8 FORM G STAINLESS STEEL WASHER	3	
56	208079	EXTENSION SPRING	2	
57	219550	M6 FORM B STAINLESS STEEL WASHER	3	
58	219550	M6 FORM B STAINLESS STEEL WASHER	3	
59	206853	DEF TENT PINS	4	
60	908891	3/8" - 16 NUT STAINLESS STEEL	4	
61	908891	3/8" - 16 NUT STAINLESS STEEL	4	
62	908891	3/8" - 16 NUT STAINLESS STEEL	4	
63	908891	3/8" - 16 NUT STAINLESS STEEL	4	
64	206854	FLOOR TOOL BRACKET ASSEMBLY (T171E4045/4055)	1	
65	206853	VERTICAL NYLON SPACER	2	
66	206853	VERTICAL NYLON SPACER	2	
67	291125	M8 X 40 LONG HEX BOLT STAINLESS STEEL	2	
68	905559	M8 X 11MM LONG HEXAGONAL HEAD BOLT ST/ST	2	
69	206956	RETURN SPRING	2	
70	219133	M8 X 20MM LONG STAINLESS STEEL NYLON INSERT NUT	1	
71	219133	M8 X 20MM LONG STAINLESS STEEL NYLON INSERT NUT	1	
72	291132	M8 X 16MM LONG STAINLESS STEEL POZIPAN SEMS SCREW	1	
73	908791	REED SWITCH PLATE (SPEED CONTROL SIS)	2	
74	904501	REED SWITCH ASSEMBLY	1	
75	291155	M8 X 20MM LONG POZIPAN SCREW STAINLESS STEEL	2	
76	291155	M8 X 20MM LONG POZIPAN SCREW STAINLESS STEEL	2	
77	291154	M8 NYLON INSERT NUT STAINLESS STEEL	1	
78	908998	NYLON GROMMET NUT (PLASTIC INSERT TO SUIT NO 8 PLASTIC SCREW)	2	
79	219863	M8 X 33MM LONG POZIPAN STAINLESS STEEL SCREW	2	
80	219863	M8 X 33MM LONG POZIPAN STAINLESS STEEL SCREW	2	
81	291118	M8 STAINLESS STEEL WASHER Ø8MM I/D	6	
82	208456	ITB 1640 SOLESOLE KNOB	2	
83	904972	CLEVIS PIN Ø16 X 38 STAINLESS STEEL	1	
84	904972	CLEVIS PIN Ø16 X 38 STAINLESS STEEL	1	
85	904928	MINI ROLL UP ZINC PLATED	1	
86	291098	CRO 80655 SQ. LIFT CABLE	1	
87	N/A	RIGHT HAND SIDE POOL MOULDING	1	
88	391224	1 1/2 INCH DIA X 185 SS TUBE (Ø 0.076)	2	
89	329843	VARIO SPLASH SKIRT FIXING STRIP	2	
90	206847	SPLASH SKIRT	1	
91	206847	SPLASH SKIRT	1	
92	208316	SPRING WASHER	1	
93	208316	SPRING WASHER	1	
94	329849	BRUSH DECK FOOT PEDAL LATCH	1	
95	229346	SPACER	1	
96	303810	12.7MM DIAMETER X 185 X 12.5MM LONG STAINLESS STEEL TUBE	1	
97	208804	87MM LONG ALUMINIUM WASHER	1	
98	208804	87MM LONG ALUMINIUM WASHER	1	
99	329187	100MM WHEEL (MODIFIED)	2	
100	206862	BLACK PVC TERMINAL CAP	2	
101	206862	BLACK PVC TERMINAL CAP	2	
102	908863	RED PVC TIE STRAP (OUT TO LENGTH: 270MM LONG)	2	
103	902010	M8 X 25 COACH BOLT SIS	1	
104	291092	M10 INTERNAL LOCK WASHER STAINLESS STEEL	1	
105	219876	M8 FORM A STAINLESS STEEL WASHER	2	
106	219876	M8 FORM A STAINLESS STEEL WASHER	2	
107	291020	M6 STAINLESS STEEL EXTERNAL SHAKEPROOF LOCK WASHER	1	

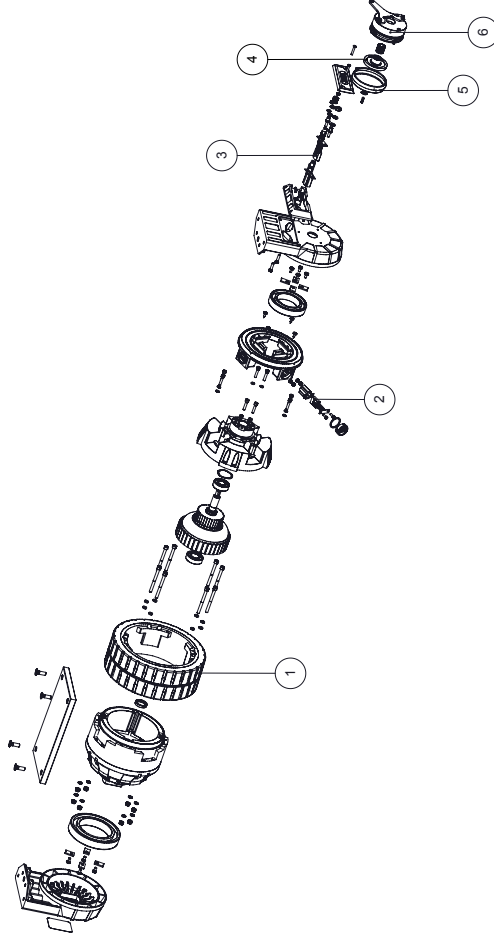
SEE DRW/28741

**Numatic International Spare Parts**

**Model No: TTV678 & TRO650 Motor Wheel & Brake Assembly**

NB: FOR WIRING SEE DRAWING: WD-0359, DRW-15631, DRW-13416, DRW-14741

234604  
DRAWING: EXP-1032 ISS:A03  
28/03/2014



**Numatic International Spare Parts**

**Model No: TTV678 & TRO650 Motor Wheel & Brake Assembly**

POS:	ITEM NO:	DESCRIPTION:	COMMENTS:
1	208145	WHEEL	
2	208146	ARMATURE BRUSH	
3	208147	MOTOR BRUSH	
4	208148	FRICION DISC	
5	208149	RUBBER GASKET	
6	321506	MODIFIED ELECTRONICALLY RELEASED BRAKE C/W PINION & SCREWS	

**Numatic International Spare Parts**

**Model No:** TTV678 & TRO650 MOTOR WHEEL GEARBOX ASSEMBLY

NB: FOR WIRING SEE DRAWING: WD-0359, DRW- 15631, DRW-13416, DRW-14741

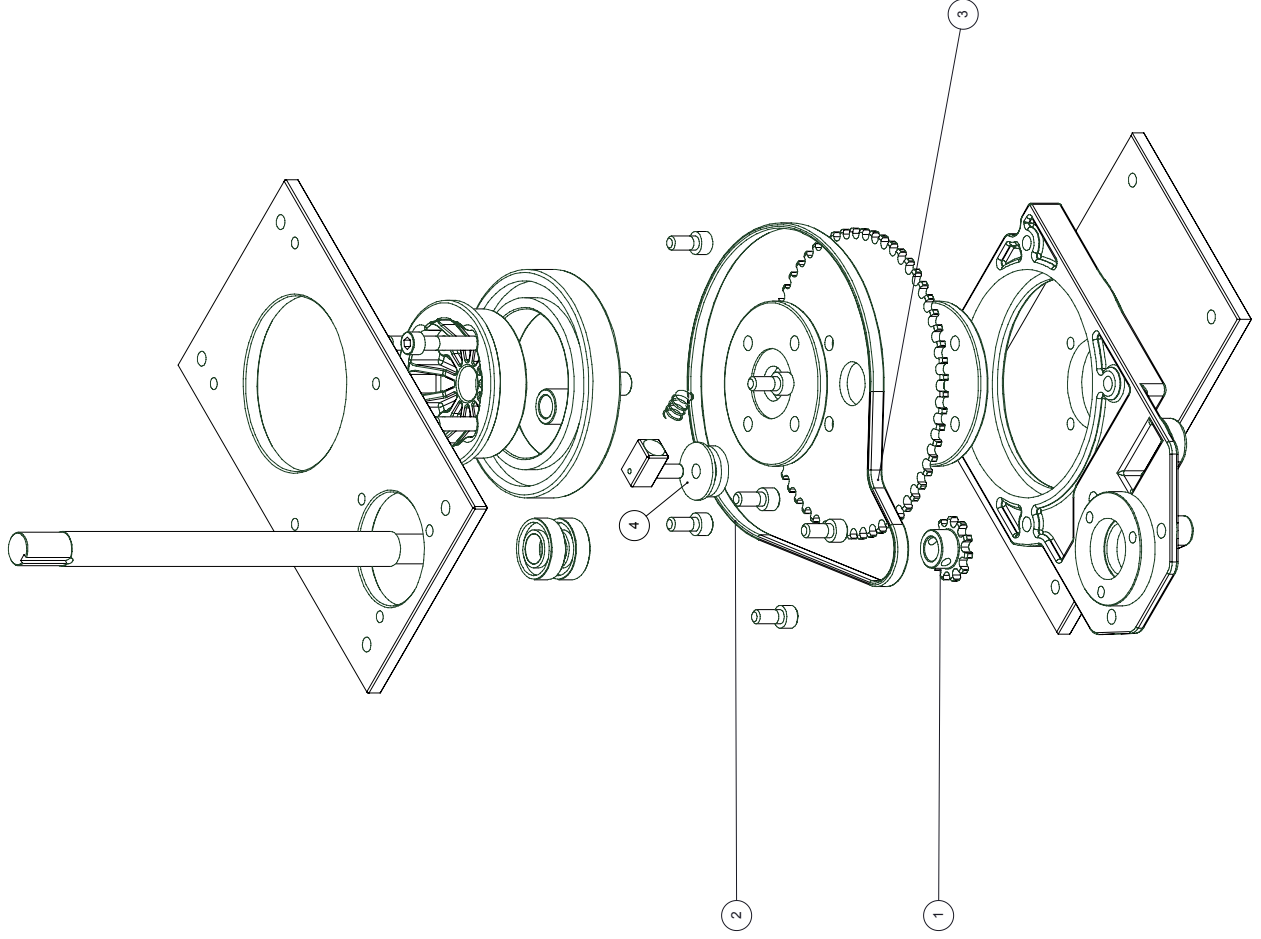
234605

DRAWING: EXP-1033

ISS:A05

Internal Code:

PRO



**Numatic International Spare Parts**

**Model No:** TTV678 & TRO650 MOTOR WHEEL GEARBOX ASSEMBLY EXPLODED DRAWING (EXP-1033)

POS: ITEM NO: DESCRIPTION:

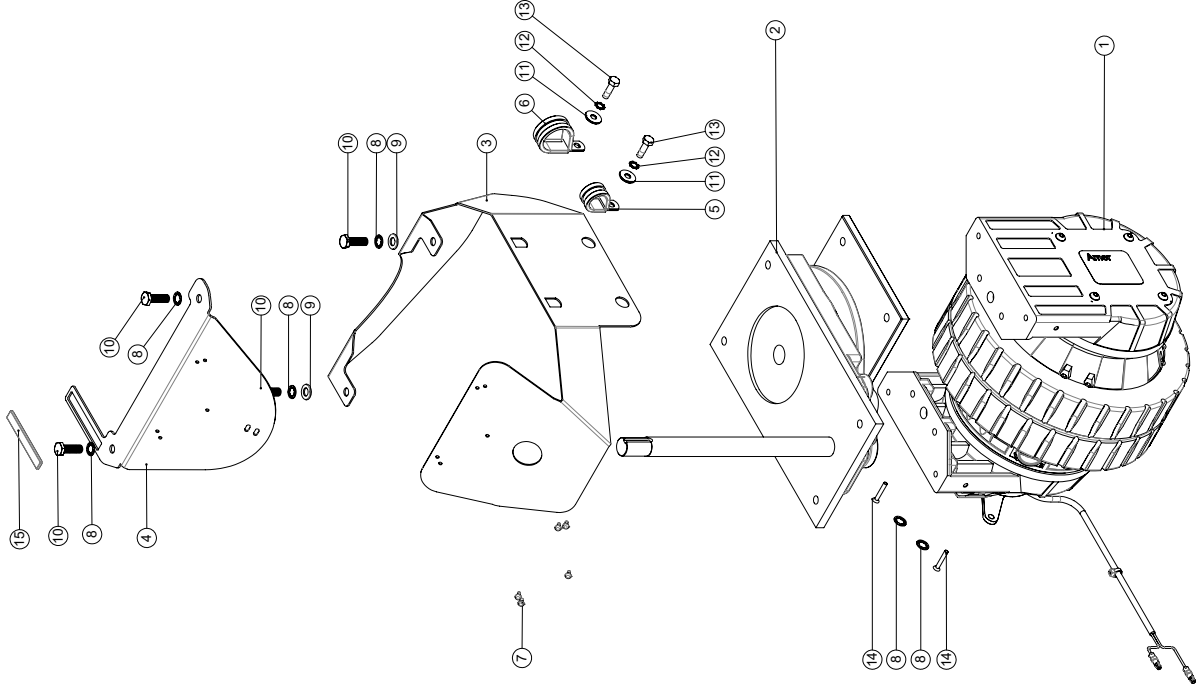
1	208151	PINION	COMMENTS:
2	208152	STEERING CHAIN	
3	208153	STEERING CHAIN MASTER LINK	
4	901617	WHEEL TENSIONER	AVAILABLE SEPERATELY

**Numatic International Spare Parts**

**Model No:** DRIVE WHEEL ASSEMBLY (TRG) EXPLODED DRAWING

908970  
 Internal Code: DRAWING: DRW-28741 ISS:A08  
 06/07/2023

NB: FOR WIRING SEE DRAWING: N/A



**Numatic International Spare Parts**

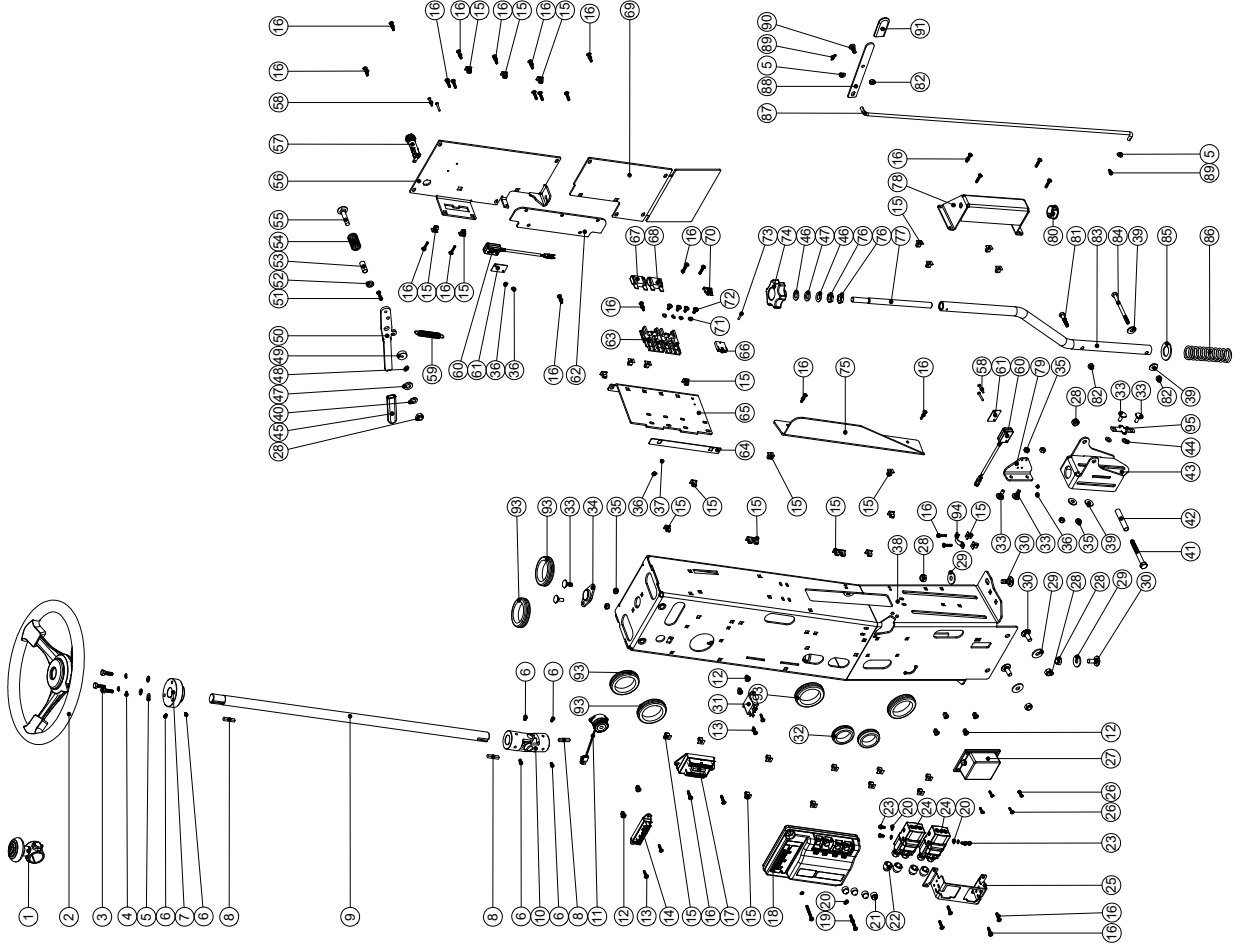
**Model No:** DRIVE WHEEL ASSEMBLY (TRG) EXPLODED DRAWING

ITEM:	PART No:	DESCRIPTION	COMMENTS:	QTY
1	904964	MOTOR WHEEL & MODIFIED BRAKE LEAD ASSEMBLY (MK2)		1
2	206928	STEERING SYSTEM		1
3	904917	DRIVE WHEEL MUD FLAP		1
4	908792	DRIVE WHEEL CABLE HOLDER (TRG) SIS		1
5	904920	P-CLIP (21) STAINLESS STEEL		1
6	904921	P-CLIP P34 STAINLESS STEEL		1
7	208963	SNAP BLACK RIVET (REF SR-3055B)		5
8	902520	M8 INTERNAL WASHER SHAKEPROOF STAINLESS STEEL		6
9	219578	M8 FORM A STAINLESS STEEL WASHER		2
10	906763	M8 X 25MM LG HEX HEAD SCREW STN STEEL C/W THREADLOCK (LOW HEAD)		4
11	219647	M6 FORM G STAINLESS STEEL WASHER		2
12	902353	M6 EXTERNAL SHAKEPROOF WASHER STAINLESS STEEL		2
13	291144	M6 X 20MM LG HEX HEAD SCREW STAINLESS STEEL C/W THREADLOCK		2
14	904946	M4 X 25MM LG. POZI CSK SCREW (STAINLESS STEEL)		2
15	908115	75 X 10 X 3MM THICK M42 NEEDY/MUM MAGNET (F75103-2)		1

**Numatic International Spare Parts**

**Model No:** STEERING COLUMN ASSEMBLY (TRG) EXPLODED DRAWING

908989  
 Internal Code: MS5  
 DRAWING: DRW-28750 ISS:A14  
 02/08/2023



**Numatic International Spare Parts**

**Model No:** STEERING COLUMN ASSEMBLY (TRG) EXPLODED DRAWING

ITEM	PART No:	DESCRIPTION	COMMENTS	QTY.
1	208104	STEERING WHEEL KNOB		1
2	206961	30MM STEERING WHEEL C/W CENTRE CAP		1
3	219976	M6 X 20MM LONG HEXAGONAL HEAD SET SCREW		3
4	219549	M6 SINGLE COIL WASHER		3
5	219560	M6 FORM A STAINLESS STEEL WASHER		5
6	219561	M6 FORM A STAINLESS STEEL WASHER		5
7	208660	RIDE ON STEERING WHEEL ADAPTOR		1
8	905374	UNIVERSAL JOINT KEY		3
9	206940	STEERING SHAFT	SPARES PART	1
10	N/A	UNIVERSAL JOINT		1
11	906671	24V DC BUZZER C/W CONNECTOR		1
12	906769	NYLON GROMMET NUT PLASTIC INSERT TO SUIT NO.6 PLASTIC SCREW		8
13	219974	NO8 X 58 INCH LONG POZI-PAN PLASTIC INSERT TO SUIT NO.8 PLASTIC SCREW		4
14	906672	NYLON GROMMET NUT PLASTIC INSERT TO SUIT NO.8 PLASTIC SCREW		4
15	906688	NYLON GROMMET NUT PLASTIC INSERT TO SUIT NO.8 PLASTIC SCREW		37
16	219568	NO8 3/4 INCH LG. POZI-PAN SCREW STAINLESS STEEL PLASTIC		33
17	904179	TERMINAL BLOCK ASSEMBLY		1
18	908113	PROGRAMMED I140 24V DC MOTOR CONTROLLER (TRG)		2
19	219825	NO8 X 1 1/2 INCH LONG POZI PAN STAINLESS STEEL PLASTIC SCREW		1
20	281145	M4 SHAKEPROOF WASHER STAINLESS STEEL		6
21	907916	M6 BOLT AND NUT CAP		4
22	906673	M6 X 20MM LONG POZI PAN STAINLESS STEEL SCREW		4
23	219697	M6 X 20MM LONG POZI PAN STAINLESS STEEL SCREW		4
24	903736	24V ALBRIGHT CONTACTOR (SJR602009)		2
25	908753	CONTACTOR BRACKET (TRG) M/S PAINTED SILVER		2
26	291053	3.5 X 12MM POZI PAN PLASTIC SCREW S/S		4
27	905341	MEMO PWM POWER CONTROL 10A M171		1
28	219716	M6 FORM G STAINLESS STEEL NYLON INSERT NUT		6
29	219716	M6 FORM G STAINLESS STEEL NYLON INSERT NUT		4
30	902770	24V RELAY (SPDT NON-LATCHING SURFACE MOUNT)		1
31	208028	GROMMET (32MM ID)		1
32	208028	GROMMET (32MM ID)		2
33	291103	M6 X 16 COACH BOLT S/S		6
34	208110	IGUS (R) 2 BOLT PLAIN BEARING 20MM I/D		1
35	219642	M6 STAINLESS STEEL NYLON INSERT NUT		6
36	281154	M3 NYLON INSERT NUT STAINLESS STEEL		5
37	904219	M3 STAINLESS STEEL EXTERNAL SHAKEPROOF WASHER		1
38	219642	M6 FORM A STAINLESS STEEL WASHER		1
39	219642	M6 FORM A STAINLESS STEEL WASHER		4
40	219576	M6 FORM A STAINLESS STEEL WASHER		1
41	902517	M6 X 70MM LONG HEX BOLT STAINLESS STEEL		1
42	391190	54MM LONG X 10MM DIAMETER STAINLESS STEEL TUBE		1
43	908772	BRUSH PRESSURE ADJUSTMENT SLIDE (TRG) S/S		1
44	219493	M6 NYLON WASHER		2
45	903970	LEVER HANDLE Moulding RED WASHER		1
46	219642	M6 FORM A STAINLESS STEEL WASHER		1
47	219864	NYLON WASHER (18MM O/D X 10.4MM I/D X 3MM THICK)		2
48	219867	M4 STAINLESS STEEL NYLON INSERT NUT		1
49	208382	MAGNET (18MM O/D)		1
50	908815	FLOOR TOOL LIFTING HANDLE (TRG) S/S		1
51	219686	M4 X 20MM LONG STAINLESS STEEL POZI PAN MACHINE SCREW		1
52	906640	CARRIAGE BOLT SPACER		1
53	391191	LEVER PIVOT SPACER (S/S 10MM O/D 8MM I/D X 24MM LONG)		1
54	219642	M6 FORM A STAINLESS STEEL WASHER		1
55	291120	M6 X 40 BRASS BOLT S/S		1
56	904605	LEVER PIVOT SELECTOR PLATE (TRG) Z/P		1
57	903032	BULGIN PANEL MOUNT FUSEHOLDER		1
58	291155	M3 X 20MM LONG POZI PAN SCREW STAINLESS STEEL		4
59	206777	EXTENSION SPRING 65.3MM LONG		2
60	904501	REED SWITCH ASSEMBLY		2
61	906617	REED SWITCH WASHER PLATE		2
62	219642	M6 FORM A STAINLESS STEEL WASHER (TRG)		2
63	291102	FUSE HOLDER RATED AT 20 AMPS		2
64	908747	SYMBOL BACKPLATE RED P/P		1
65	908779	FUSE HOLDER PLATE (TRG) M/S PAINTED SILVER		1
66	906564	ATO FUSE HOLDER (FKH SERIES)		1
67	221091	20 AMP MAXI FUSE		1
68	230104	3 AMP MAXI FUSE		1
69	905570	4 AMP FUSE		1
70	905570	4 AMP FUSE		1
71	219861	M6 SINGLE COIL STAINLESS STEEL WASHER		4
72	219864	M3 X 16MM LONG POZI PAN SCREW Z/P		4
73	902065	M3 X 16MM LONG POZI PAN SCREW STAINLESS STEEL		1
74	903261	M10 LOBE KNOB (RED)		1
75	329888	STEERING COLUMN SPLASH GAUARD		1
76	219951	ALUMINUM STEEL WITH HEX LOCK NUT (HALF NUT)		2
77	219951	ALUMINUM STEEL WITH HEX LOCK NUT (HALF NUT)		2
78	329863	BRUSH PRESSURE ADJUSTMENT BRACKET P-3		1
79	908780	REED SWITCH BRACKET (TRG) PAINTED SILVER		1
80	206021	19MM (3/4 INCH) SNAP BUSHING		1
81	291022	M6 X 30MM LONG STAINLESS STEEL HEXAGONAL HEAD BOLT		1
82	219683	M6 NYLON STAINLESS STEEL FULL NUT		3
83	908524	BRUSH PRESSURE ADJUSTMENT TUBE WELD ASSY (TRG) S/S		1
84	219915	M6 X 60MM LONG STAINLESS STEEL HEXAGONAL HEAD BOLT		1
85	208016	MANUAL BRUSH DECK ADJUSTMENT SPRING		1
86	391196	PEDAL LATCH RELEASE ROD		1
87	329850	RELEASE HANDLE		1
88	904923	MINI R-CLIP ZINC PLATED		2
89	219646	M6 X 16MM LONG POZI PAN STAINLESS STEEL SCREW		1
90	904191	50MM LONG DIP MOULDED HANDLE COVER (RED)		1
91	220007	BLACK CABLE TIE		17
92	906603	CABLE CLAMP P/P		9
93	906603	CABLE CLAMP P/P		9
94	906603	CABLE CLAMP P/P		9
95	906601	CABLE CLAMP P/P RED		1



**Numatic International Spare Parts**

**Model No :** TRG720 FRONT MOULDING ASSEMBLY (TRG) EXPLODED DRAWING

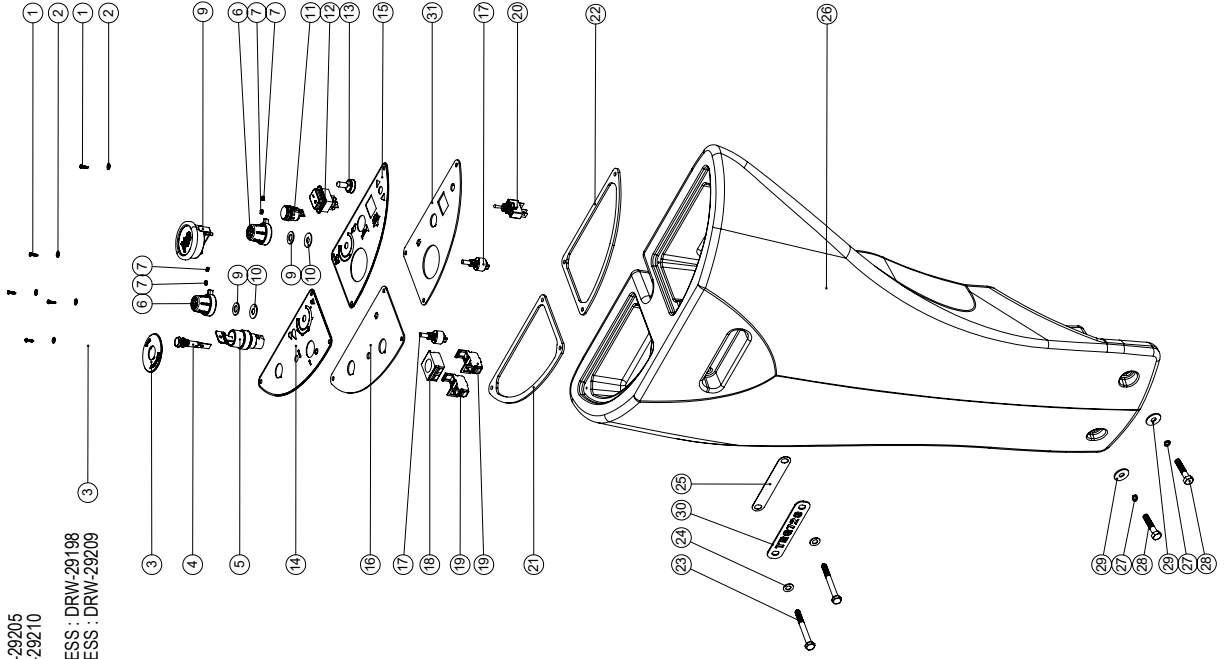
NB: FOR WIRING SEE DRAWING:

200T 230V : DRW-28869  
300T 230V : DRW-29208

200T 120V : DRW-29205  
300T 120V : DRW-29210

200T CHARGERLESS : DRW-29188  
300T CHARGERLESS : DRW-29209

Internal Code: 908974, 908975  
DRAWING: DRW-28816 ISS: A08  
25/10/2022



**Numatic International Spare Parts**

**Model No :** TRG720 FRONT MOULDING ASSEMBLY (TRG) EXPLODED DRAWING

ITEM:	PART No:	DESCRIPTION	COMMENTS	QTY:
1	902534	M3 X 10MM LONG POZIPAN SCREW STAINLESS STEEL		6
2	219688	M4 FORM A STAINLESS STEEL WASHER		6
3	904086	EMERGENCY STOP NAME PLATE (HWAV-27-Y)		1
4	907298	24V LED GREEN INDICATOR (H02750SSG6)		1
5	907149	KEY SWITCH SELECTOR (020SCA1)	SPARE KEY : 907208	1
6	903485	SPEED ADJUSTMENT KNOB (RED)		2
7	219744	M4 X 6MM LONG BLACKODISED GRUB SCREW		4
8	914620	BATTERY HOURS METER NE306		1
	902532	BATTERY DISCHARGE INDICATOR + HOUR METER 24V		
9	219903	M10 FORM A STAINLESS STEEL WASHER		2
10	904094	SPEED CONTROL GASKET		2
11	906658	SEALED PUSHBUTTON SWITCH SINGLE POLE		1
12	902235	SWITCH DPST RED ILLUMINATED WITH MEMBRANE 24V		1
13	206785	SWITCH COVER CW NUT		1
14	908132	TRG CONTROL PANEL OVERLAY (RIGHT)		1
15	908133	TRG CONTROL PANEL OVERLAY (LEFT)		1
16	908763	RIGHT CONTROL PANEL (TRG) M/S PAINTED SILVER		1
17	270316	POTENTIOMETER TYPE Pø30 22k OHMS 20% 3W (WITH PANEL SEAL) (ROUND SHAFT WITH FLAT / NO SLOT IN SHAFT END)		2
18	907150	FIXING ADAPTER (020G)		1
19	907151	TERMINAL BLOCK N.O. (020E10)		2
20	206786	SWITCH		1
21	208097	KEY PANEL GASKET		1
22	208096	PCB GASKET		1
23	291123	M8 X 75 LONG HEX HEAD BOLT STAINLESS STEEL		2
24	219578	M8 FORM A STAINLESS STEEL WASHER		2
25	908745	NAME PLATE SPACER RED P/P		1
26	908786	STEERING COLUMN MOULDING (TRG) PROCESSED		1
27	219898	M8 SINGLE COIL STAINLESS STEEL WASHER		2
28	291112	M8 X 40 LONG HEX BOLT STAINLESS STEEL		2
29	219716	M8 FORM G STAINLESS STEEL WASHER		2
30	908736	TRG720 NAME PLATE S/S		1
	908741	TGB3228 NAME PLATE S/S		1
31	908765	LEFT CONTROL PANEL (TRG) M/S PAINTED SILVER		1

**Numatic International Spare Parts**

750 TWINTEC ALUMINIUM FLOOR TOOL  
**Model No.:** (38MM HOSE, RED TRIM, SERILOR BLADES)

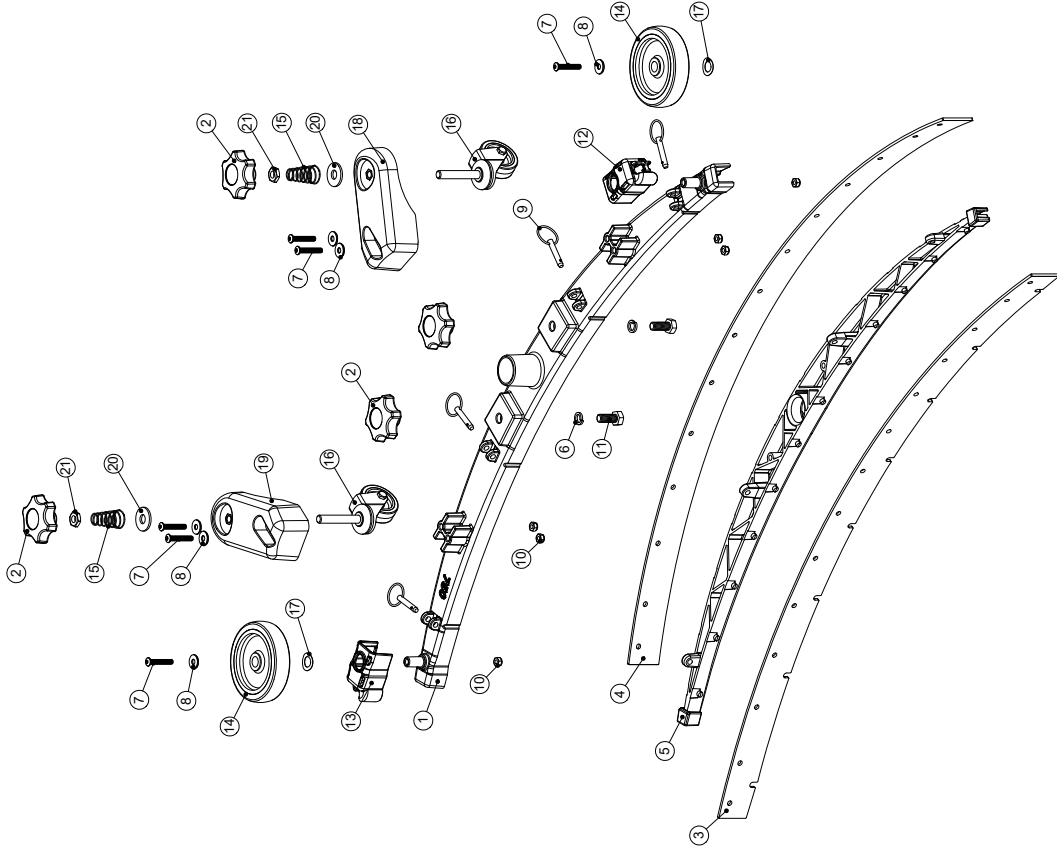
**NB: FOR WIRING SEE DRAWING: WD-07??**

903853

DRAWING: DRW-23157 ISS:A07  
 27/03/2019

Internal Code:

PRO



**Numatic International Spare Parts**

750 TWINTEC ALUMINIUM FLOOR TOOL (38MM HOSE, RED TRIM, SERILOR BLADES)  
**Model No.:** (750MM SCRUB WIDTH) ALUMINIUM SQUEEGEE CASTING (38MM HOSE FITTING)

ITEM:	PART No:	DESCRIPTION	QTY.
1	208637	(750MM SCRUB WIDTH) ALUMINIUM SQUEEGEE CASTING (38MM HOSE FITTING)	1
2	903281	M10 LOBE KNOB (RED)	4
3	208988	750MM SCRUB WIDTH REPLACEMENT FRONT BLADE (968MM LONG)	1
4	208971	750MM SCRUB WIDTH REPLACEMENT REAR BLADE (1000MM LONG)	1
5	903848	(750MM SCRUB WIDTH) RED BLADE HOLDER Moulding (SLOPING PROFILE) (32MM & 38MM HOSE FITTING)	1
6	219899	M10 SINGLE COIL STAINLESS STEEL WASHER	2
7	219933	M6 X 35MM SOCKET BUTTON HEAD BOLT STAINLESS STEEL	6
8	219647	M6 FORM G STAINLESS STEEL WASHER	6
9	206953	DETENT PINS	4
10	219642	M6 STAINLESS STEEL NYLON INSERT NUT	6
11	219909	M10 X 25MM LONG HEXAGONAL STAINLESS STEEL SCREW	2
12	237322	RIGHT HAND FLOOR TOOL CLIP Moulding	1
13	237323	LEFT HAND FLOOR TOOL CLIP Moulding	1
14	208796	4 INCH WHEEL	2
15	229175	CONICAL SPRING	2
16	907759	50MM DIAMETER GREY TPR TYRED SWIVEL CASTOR C/W M10 X 60 SWAGED STEM.	2
17	219891	13MM WAVEY WASHER	2
18	906860	ADJUSTABLE FLOOR TOOL CASTOR PLASTIC PLATE LEFT	1
19	906859	ADJUSTABLE FLOOR TOOL CASTOR PLASTIC PLATE RIGHT	1
20	291124	M10 PENNY WASHER STAINLESS STEEL	2
21	219951	A4 (STAINLESS STEEL) M10 HEX LOCK NUT (HALF NUT)	2

# Numatic International Spare Parts

**Model No:** 720 BRUSH DECK ASSEMBLY (TRG) EXPLODED DRAWING

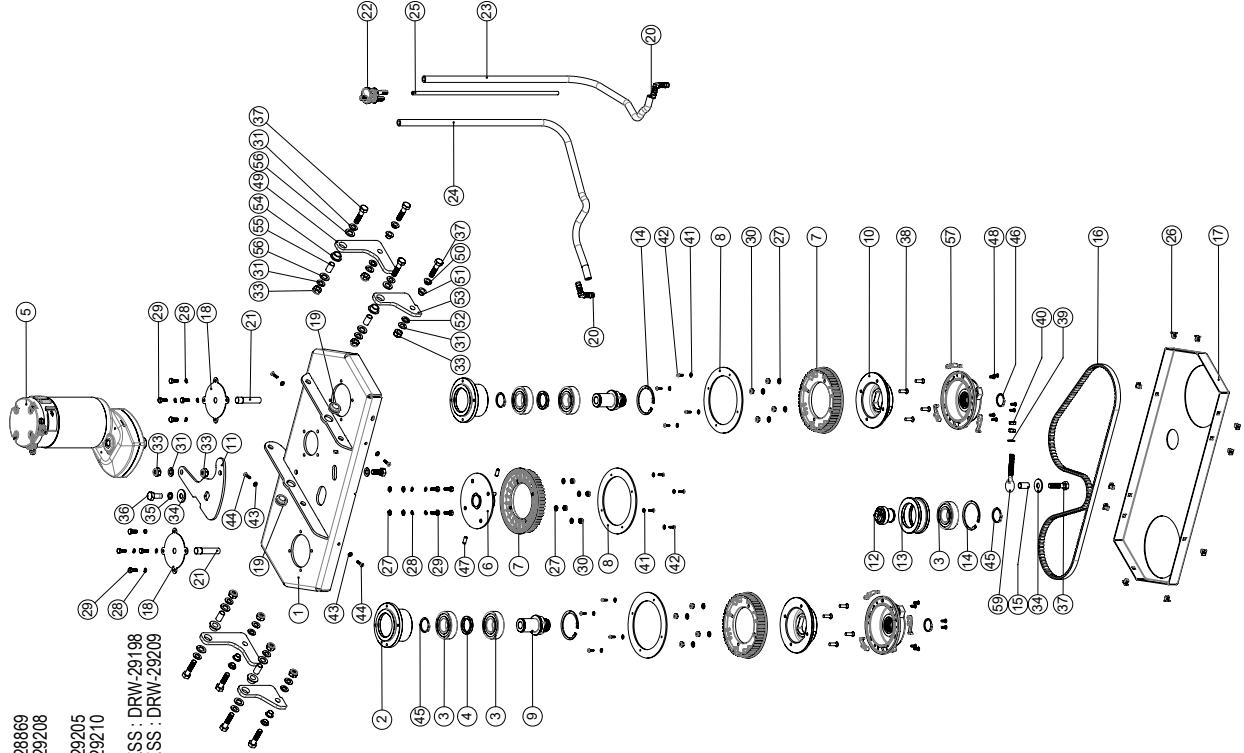
908969  
 Internal Code: DRAWING: DRW-28759 ISS:A13  
 10/09/2021

NB: FOR WIRING SEE DRAWING:

200T 230V : DRW-28869  
 300T 230V : DRW-29208

200T 120V : DRW-29205  
 300T 120V : DRW-29210

200T CHARGERLESS : DRW-29198  
 300T CHARGERLESS : DRW-29209



# Numatic International Spare Parts

**Model No:** 720 BRUSH DECK ASSEMBLY (TRG) EXPLODED DRAWING

ITEM:	PART No:	DESCRIPTION	COMMENTS:	QTY
1	903617	TWIN BRUSH DECK WELD ASSY ZINC PLATED		1
2	903420	BEARING HOUSING		2
3	206878	BEARING I/D30MM O/D62MM		5
4	903439	SPACER O/D 40MM X I/D 30MM X 5MM		2
5	205192	M/RP6 IP20 AMER MOTOR		1
6	904836	BRUSH MOTOR PULLEY PLATE WELD ASSY ZINC PLATED		1
7	237680	LARGE PULLEY 56TH		3
8	903423	PULLEY FLANGE PLATE		3
9	903421	BRUSH PULLEY SHAFT		2
10	903440	PULLEY MOUNTING ADAPTER		2
11	903619	TENSIONER PIVOT PLATE ZINC PLATED		1
12	903419	TENSIONER SHAFT		1
13	903424	IDLER		1
14	230200	62MM INTERNAL CIRCLIP		3
15	903429	1/2 INCH DIA X 18G S/S TUBE (0.022)		1
16	903438	BELT (GATES GT4 - 1440 - 8MGT - 12)		1
17	903428	TWIN BRUSH DECK - MAIN PLATE COVER		1
18	903432	TWIN BRUSH WATER FEED PLATE		2
19	208143	20MM GROMMET X 6MM PANEL THICKNESS		2
20	903641	10MM HOSETAIL ELBOW		2
21	903446	MOTOR SHAFT INSERT		2
22	903445	FLOW DIVIDER ASSY		1
23	391216	SILICON TUBE 8MM I/D X 3.2MM WALL SECTION (CUT 600MM)		1
24	391216	SILICON TUBE 8MM I/D X 3.2MM WALL SECTION (CUT 600MM)		1
25	903463	VENT TUBE		1
26	900986	NYLON GROMMET NUT (PLASTIC INSERT TO SUIT No 8 PLASTITE SCREW)		10
27	219870	M6 FORM A WASHER STAINLESS STEEL		16
28	219718	WASHER M6 SPRING STAINLESS STEEL		12
29	219719	M6 X 16MM LONG HEXAGONAL STAINLESS STEEL HEAD BOLT		12
30	219642	M6 STAINLESS STEEL NYLON INSERT NUT		12
31	219903	M10 FORM A STAINLESS STEEL WASHER		14
32	219909	M10 X 25MM LONG HEXAGONAL STAINLESS STEEL SCREW		1
33	219897	M10 STAINLESS STEEL NYLON INSERT NUT		10
34	291124	M10 PENNY WASHER STAINLESS STEEL		2
35	219899	M10 SINGLE COIL STAINLESS STEEL WASHER		1
36	291141	M10 X 25MM LG HEX HEAD SCREW STAINLESS STEEL CW THREADLOCK		1
37	906868	M10 X 40MM LONG HEX BOLT STAINLESS STEEL		9
38	903441	M6 X 20MM LONG STAINLESS STEEL COUNTERSUNK POZI SCREW		8
39	219578	M8 FORM A STAINLESS STEEL WASHER		1
40	219079	M8 PLAIN NUT		2
41	219688	M4 FORM A STAINLESS STEEL WASHER		12
42	291061	N06 X 1/2 INCH LONG POZI PAN PLASTITE SCREW (STAINLESS STEEL)		12
43	219355	M5 FORM A STAINLESS STEEL WASHER		4
44	219568	N08.34 INCH LG POZI-PAN SCREW STAINLESS STEEL PLASTITE		4
45	903435	30MM EXTERNAL CIRCLIP		3
46	230048	26MM EXTERNAL CIRCLIP		2
47	291139	6MM X 16MM STAINLESS STEEL ROLL PIN		2
48	219683	N06 X 3/8 INCH LONG POZI PAN BLACK COUNTERSUNK PLASTITE SCREW		12
49	908800	REAR LINK ZIPL		2
50	208330	IGUS BEARING (GFM 101206)		4
51	208331	IGUS BEARING (GFM 101209)		4
52	291163	NYLON WASHER 18MM O/D X 10.5MM I/D X 2MM		4
53	908802	FRONT LINK ZIPL		2
54	908830	SHOULDERED BUSH - Ø12.9MM I/D x Ø18MM O/D x 2.0MM FLANGE		4
55	303811	12.7MM DIAMETER X 18G X 20MM LONG STAINLESS STEEL TUBE		4
56	219911	PLASTIC WASHER		8
57	237730	SPRING CLIP		6
58	230285	MODIFIED CHUCK (CRO)		2
59	914423	M8 X 70mm Eye Bolt Zinc Plated		1

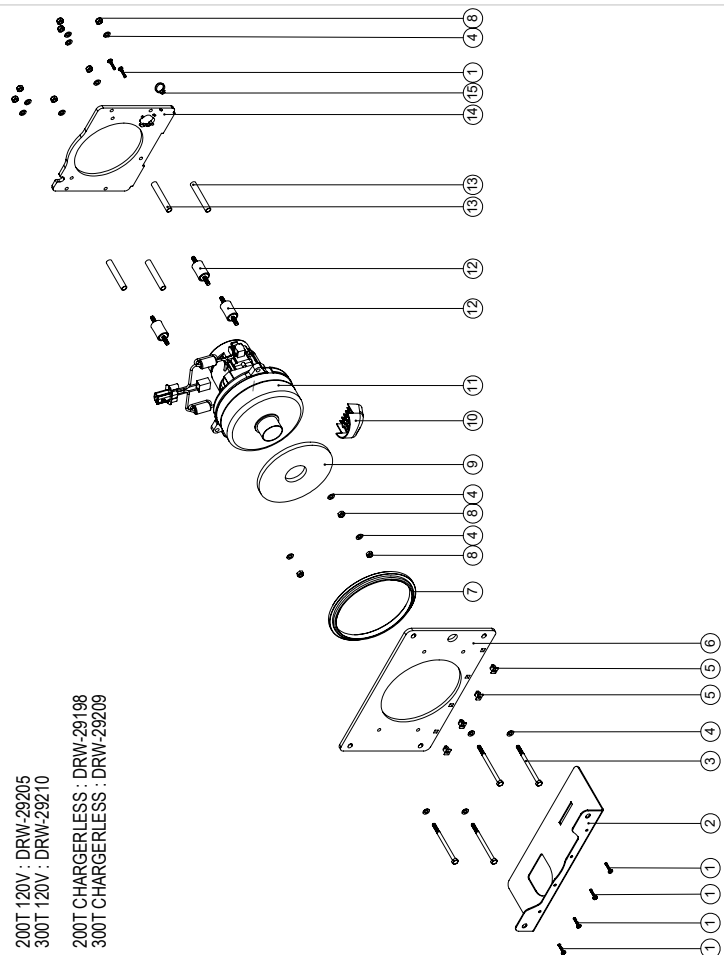
**Numatic International Spare Parts**  
**VAC MOTOR ASSEMBLY (TRG) 2**  
**Model No: STAGE EXPLODED DRAWING**

NB: FOR WIRING SEE DRAWING.

- 200T 230V : DRW-28869
- 300T 230V : DRW-29208
- 200T 120V : DRW-29205
- 300T 120V : DRW-29210

- 200T CHARGERLESS : DRW-29198
- 300T CHARGERLESS : DRW-29209

908658  
 DRAWING: DRW-28717 ISS:A12  
 11/10/2022



**Numatic International Spare Parts**  
**VAC MOTOR ASSEMBLY (TRG) 2 STAGE EXPLODED DRAWING**

ITEM:	PART No:	Description	QTY.
1	219568	NO8.3/4 INCH LG. POZI-PAN SCREW, STAINLESS STEEL PLASTITE	6
2	908742	VAC MOTOR BOTTOM PLATE (TRG)	1
3	291021	M6 X 90MM LONG STAINLESS STEEL HEXAGONAL HEAD BOLT	4
4	219870	M6 FORM A WASHER STAINLESS STEEL	14
5	900986	NYLON GROMMET NUT (PLASTIC INSERT TO SUIT No 8 PLASTITE SCREW)	4
6	908740	VAC MOTOR REAR PLATE (TRG) PP	1
7	237032	>TPE< 3 STAGE MOTOR GASKET	1
8	219642	M6 STAINLESS STEEL NYLON INSERT NUT	10
9	208477	MOTOR PAD	1
10	237218	TTB 1840 VAC DIFFUSER	1
11	915804	24V TANGENTIAL DISCHARGE 2-STAGE VAC MOTOR & PLUG ASSEMBLY + CHOKE	1
12	208334	30MM x 20MM ANTI VIBRATION MOUNT	3
13	391442	10MM O/D X 1MM WALL THICKNESS S/STEEL TUBE CUT TO LENGTH (0.065)	4
14	908744	VAC MOTOR MIDDLE PLATE (TRG) PP	1
15	220007	BLACK CABLE TIE	1

**Numatic International Spare Parts**  
**VAC MOTOR ASSEMBLY (TRG)**  
**Model No: 3 STAGE EXPLODED DRAWING**

NB: FOR WIRING SEE DRAWING:

200T 230V : DRW-28869  
 300T 230V : DRW-29208

200T 120V : DRW-29205  
 300T 120V : DRW-29210

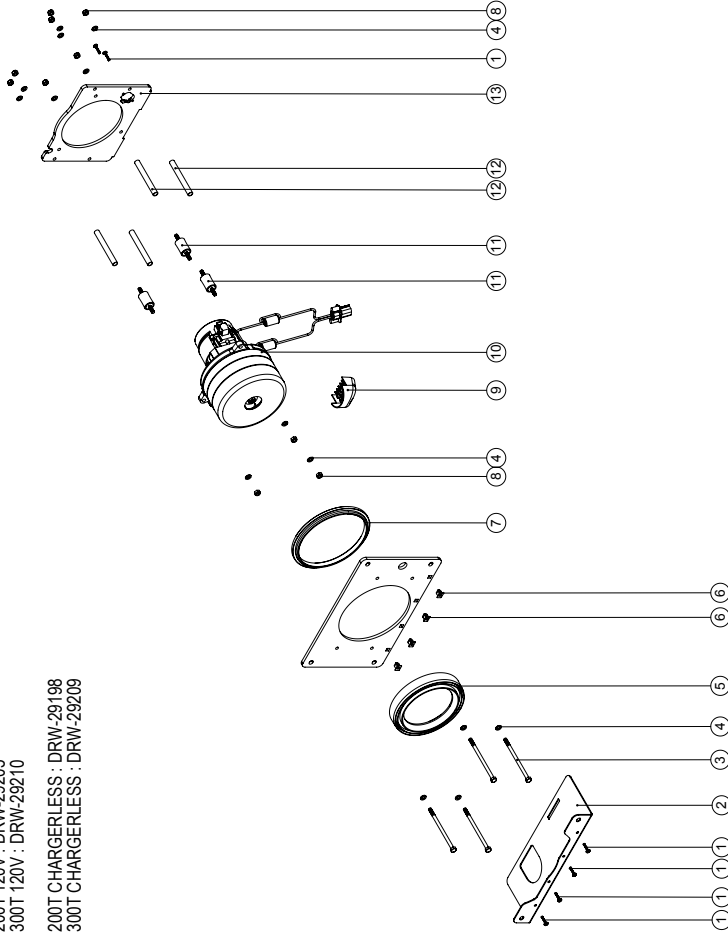
200T CHARGERLESS : DRW-29198  
 300T CHARGERLESS : DRW-29209

908869  
 MS5  
 14/03/2019

908869

DRAWING: DRW-28724

ISS:A06



**Numatic International Spare Parts**  
**VAC MOTOR ASSEMBLY (TRG) 3 STAGE EXPLODED DRAWING**

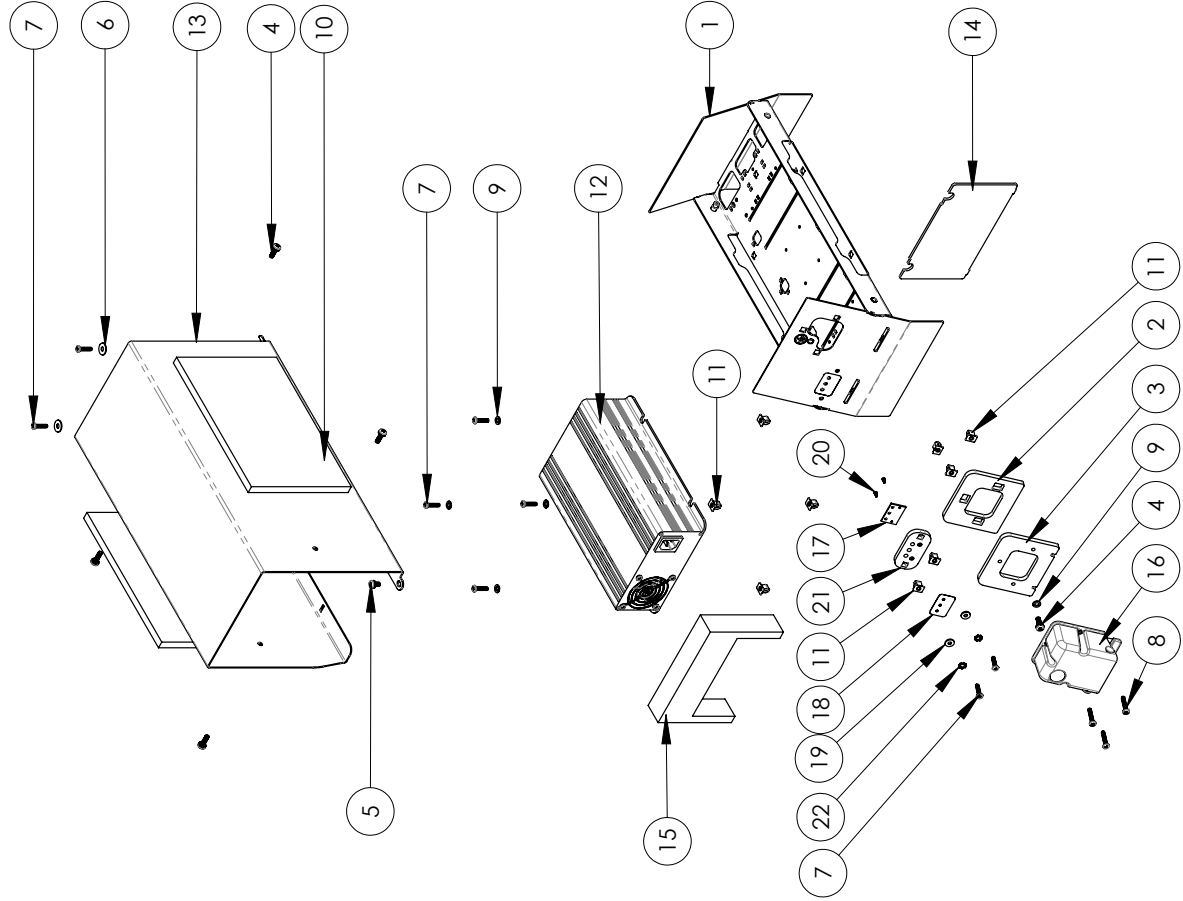
ITEM:	PART No:	Description	QTY.
1	219568	N08.3/4 INCH LG.POZI-PAN.SCREW.STAINLESS STEEL.PLASTITTE	6
2	908826	VAC MOTOR BOTTOM PLATE (TRG 3-STAGE) S/S	1
3	905559	M6 X 110MM LONG HEXAGONAL HEAD BOLT ST/ST	4
4	219870	M6 FORM A WASHER STAINLESS STEEL	14
5	202065	BOTTOM MOTOR GASKET	1
6	900986	NYLON GROMMET NUT (PLASTIC INSERT TO SUIT No 8 PLASTITTE SCREW)	4
7	237032	>TPE< 3 STAGE MOTOR GASKET	1
8	219642	M6 STAINLESS STEEL NYLON INSERT NUT	10
9	237218	TTB 1840 VAC DIFFUSER	1
10	905403	3 STAGE VAC MOTOR ASSEMBLY C/W FERRITES & PANEL MOUNT PLUG	1
11	206334	30MM x 20MM ANTI VIBRATION MOUNT	3
12	391266	88.5MM LONG X 10MM DIAMETER X 1MM WALL STAINLESS STEEL TUBE	4
13	908744	VAC MOTOR MIDDLE PLATE (TRG) PP	1
14	908740	VAC MOTOR REAR PLATE (TRG) PP	1

**Numatic International Spare Parts**

**Model No:** 230V 20A CHARGER ASSEMBLY (TRG) EXPLODED DRAWING

908737  
 Internal Code:  
 DRAWING: DRW-27830 ISS:A12  
 12/05/2022

NB: FOR WIRING SEE DRAWING:  
 200T 230V : DRW-28869  
 300T 230V : DRW-29208



**Numatic International Spare Parts**

**Model No:** 230V 20A CHARGER ASSEMBLY (TRG) EXPLODED DRAWING

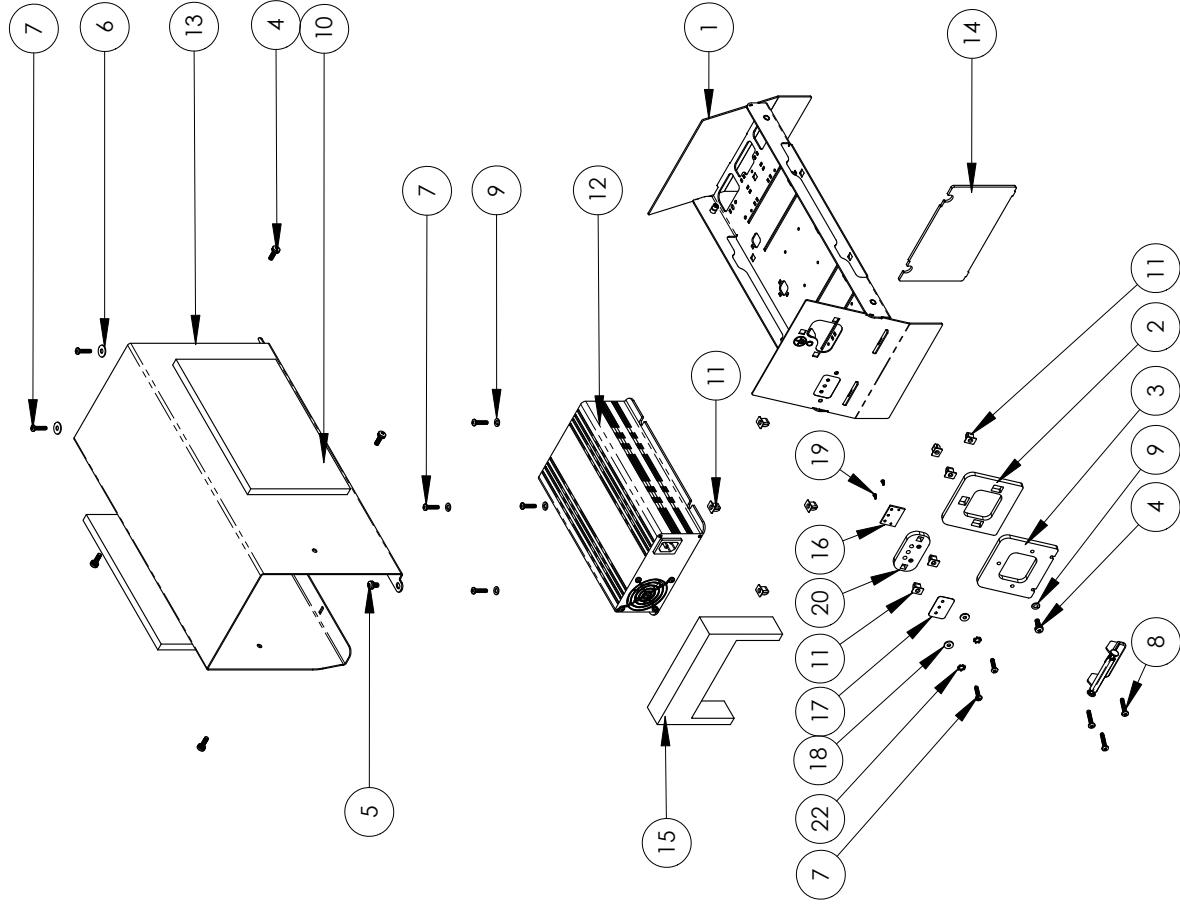
ITEM:	PART No:	DESCRIPTION	COMMENTS:	QTY
1	908733	CHARGER TRAY WELD ASSEMBLY (TRG) PAINTED SILVER		1
2	904505	IEC SOCKET SPACER PP		1
3	904504	IEC SOCKET SECONDARY SPACER PP		1
4	291132	M5 X 16MM LONG STAINLESS STEEL POZI PAN SEMS SCREW		5
5	291135	M5 X 10MM LONG STAINLESS STEEL POZI PAN SEMS SCREW		1
6	219644	M6 FORM G STAINLESS STEEL WASHER		2
7	219568	NO8.3/4 INCH LG.POZI-PAN-SCREW,STAINLESS STEEL,PLASTITE		8
8	219369	NO8 X 1 INCH LONG POZI PAN STAINLESS STEEL PLASTITE SCREW		3
9	219355	M6 FORM A STAINLESS STEEL WASHER		5
10	208645	FOAM BATTERY SPACER		2
11	900986	NYLON GROMMET NUT (PLASTIC INSERT TO SUIT No.8 PLASTITE SCREW)		9
12	914042	CHARGER, 24V LFP		1
13	908731	CHARGER COVER (TRG) PAINTED SILVER		1
14	908734	CHARGER AIR-DEFLECTOR (TRG) PP		1
15	904576	AIR SEPARATOR (20A CHARGER)		1
16	904032	240V EMI FILTER WITH SOCKET COVER ASSEMBLY C/W FLAP		1
17	280002	CHARGER LED DISPLAY PCB		1
18	208978	CHARGER LIGHTS OVERLAY		1
19	219462	RUBBER WASHER REF NO. 0380810		2
20	905565	M2 X 6MM LONG POZI PAN SCREW ST/ST		2
21	908735	CHARGER LED PCB SPACER C/W INSERTS (TRG) PP		1
22	291020	M6 STAINLESS STEEL EXTERNAL SHAKEPROOF LOCK WASHER		2

**Numatic International Spare Parts**

**Model No.:** 120V 20A CHARGER ASSEMBLY (TGB) EXPLODED DRAWING

908738  
DRAWING: DRW-27844 ISS:A10  
12/05/2022

NB: FOR WIRING SEE DRAWING:  
200T 120V : DRW-29205  
300T 120V : DRW-29210



**Numatic International Spare Parts**

**Model No.:** 120V 20A CHARGER ASSEMBLY (TGB) EXPLODED DRAWING

ITEM:	PART No:	DESCRIPTION	COMMENTS:	QTY
1	908733	CHARGER TRAY WELD ASSEMBLY (TRG) PAINTED SILVER		1
2	904505	IEC SOCKET SPACER PP		1
3	904504	IEC SOCKET SECONDARY SPACER PP		1
4	291132	M5 X 16MM LONG STAINLESS STEEL POZI PAN SEMS SCREW		5
5	291135	M5 X 10MM LONG STAINLESS STEEL POZI PAN SEMS SCREW		1
6	219644	M5 FORM G STAINLESS STEEL WASHER		2
7	219568	N08.3/4 INCH LG.POZI-PAN-SCREW-STAINLESS STEEL PLASTITE		8
8	219369	N08 X 1 INCH LONG POZI PAN STAINLESS STEEL PLASTITE SCREW		3
9	219355	M5 FORM A STAINLESS STEEL WASHER		5
10	208645	FOAM BATTERY SPACER		2
11	900986	NYLON GROMMET NUT (PLASTIC INSERT TO SUIT No 8 PLASTITE SCREW)		9
12	230261	NUMATIC 600W CHARGER		1
13	908731	CHARGER COVER (TRG) PAINTED SILVER		1
14	908734	CHARGER AIR DEFLECTOR (TRG) PP		1
15	904576	AIR SEPARATOR (20A CHARGER)		1
16	280002	CHARGER LED DISPLAY PCB		1
17	208978	CHARGER LIGHTS OVERLAY		1
18	219462	RUBBER WASHER REF NO. 0380810		2
19	905565	M2 X 6MM LONG POZI PAN SCREW ST/ST		2
20	908735	CHARGER LED PCB SPACER C/W INSERTS (TRG) PP		1
21	906495	120V EMI FILTER (10A) WITH SOCKET COVER ASSEMBLY C/W FLAP		1
22	291020	M5 STAINLESS STEEL EXTERNAL SHAKEPROOF LOCK WASHER		2

**Numatic International Limited (Head Office)**

Chard, Somerset TA20 2GB, UNITED KINGDOM

Tel: 01460 68600 numatic.com

**Numatic International GmbH**

Fränkische Straße 15-19, 30455 Hannover, DEUTSCHLAND

Tel: +49 (0) 511 984 2160 numatic.de

**Numatic International Denmark**

Fränkische Straße 15-19, 30455 Hannover, DEUTSCHLAND

Tel: +45 (0) 316 40808 numatic-online.dk

**Numatic International S.A.S**

13/17 rue du Valengelier, EAE la Tuilerie, 77500 Chelles, FRANCE

Tel: +33 (0) 164 726 161 numatic.fr

**Numatic International BV**

Vennootsweg 15, 2404 CG, Alphen aan den Rijn, NEDERLAND

Tel: +31 (0) 172 467 999 numatic.nl

**Numatic International Schweiz AG.**

Sihlbruggstrasse 3A, 6340 Baar, SCHWEIZ

Tel: +41 (0) 41 768 0760 numatic.ch

**Numatic International (PTY) Ltd.**

Cnr. 16th &amp; Pharmaceutical Road, Randjes Park, Midrand 1685, SOUTH AFRICA

Tel: +27 (0) 861 686 284 numatic.co.za

**Numatic International ULDA**

Rua Francisco da Silva Duarte, nº79,

4475-269 Santa Maria de Avioso, Castelo da Maia, PORTUGAL

Tel: +351 220 047 700 numatic.pt

**Numatic International Spain, S.L.U.**

Av. Baix Llobregat, 5-7, Oficina bajos 1 (Parc Negocis Mas Blau II)

08820 El Prat de Llobregat (Barcelona), SPAIN

Tel: +34 93 647 22 22 numatic.es

**Numatic International Italy S.R.L**

Via Luigi Galvani, 2, Z.I. Talponedo, 33080 Porcia (PN), ITALY

Tel: +39 (0) 434 046 211 numatic.it