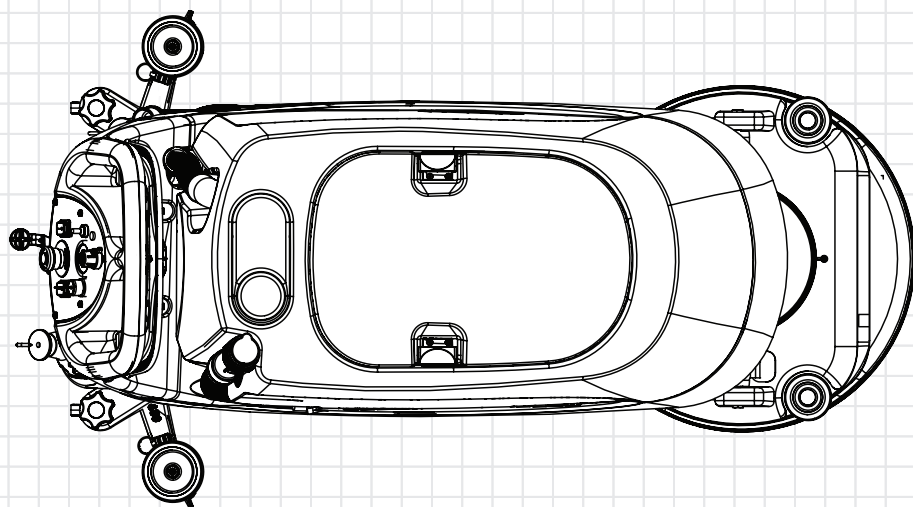
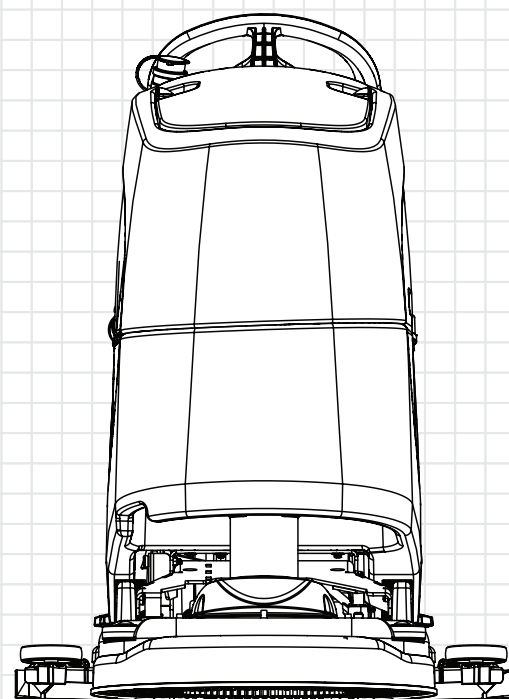
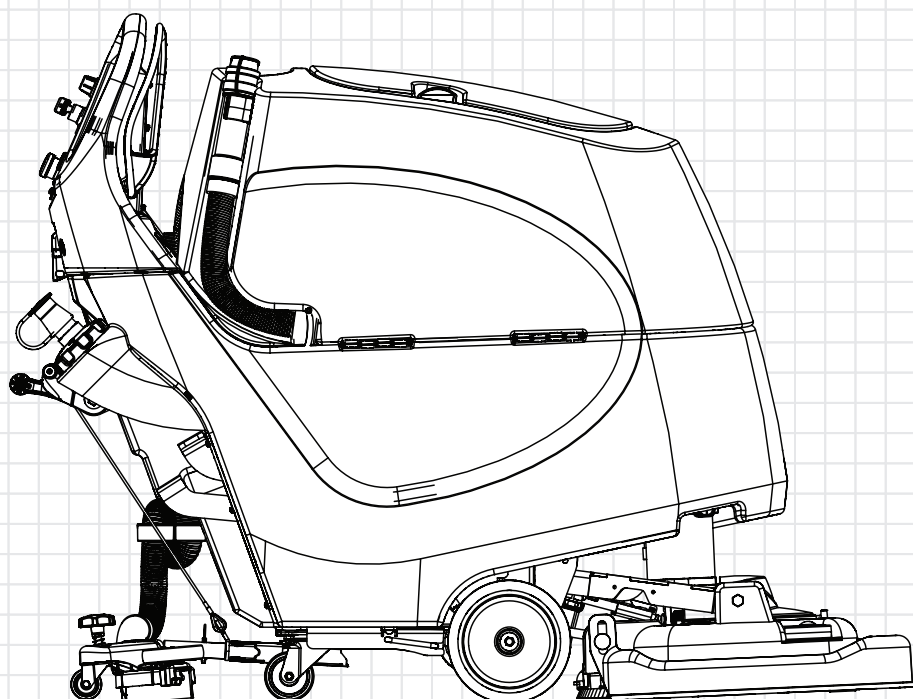


# TBL6055T



## Service Engineer Exploded Drawings



### DISCLAIMER:

These drawings are for part order reference only and intended for service engineers use.

The installation of Genuine Numatic spare parts should only be executed by Certified Numatic service engineers who specialised and familiar with all relevant safety regulations.

Numatic International Ltd do not accept responsibility or liability for any loss or damage to property or person if repairs or servicing of products are carried out by non-certified persons.

Specifications and parts are subject to change without notice.

**HAFTUNGSAUSSCHLUSS:****DE**

Diese Zeichnungen dienen nur als Referenz für Teilebestellungen und sind nur für den Gebrauch durch Servicetechniker bestimmt.

Die Montage von originalen Numatic-Ersatzteilen darf nur von zertifizierten Numatic-Servicetechnikern ausgeführt werden, die mit allen relevanten Sicherheitsvorschriften vertraut sind.

Numatic International Ltd übernimmt keine Verantwortung oder Haftung für Verluste oder Schäden an Eigentum oder Personen, wenn Reparaturen oder Wartungsarbeiten an Produkten von nicht zertifizierten Personen durchgeführt werden.

Technische Daten und Teile können ohne vorherige Ankündigung geändert werden.

**CLAUDE DE NON-RESPONSABILITÉ:****FR**

Ces schémas sont fournis à titre de référence de commande de pièces uniquement et sont destinés aux techniciens de maintenance.

L'installation de pièces de rechange Numatic d'origine doit être effectuée uniquement par des techniciens de maintenance Numatic certifiés spécialisés et familiarisés avec toutes les règles de sécurité applicables.

Numatic International Ltd décline toute responsabilité en cas de perte ou de dommage matériel ou personnel si des réparations ou l'entretien des produits sont effectués par des personnes non certifiées.

Les spécifications et les pièces sont susceptibles d'être modifiées sans préavis.

**DISCLAIMER:****NL**

Deze tekeningen zijn uitsluitend bedoeld als referentie voor het bestellen van onderdelen en voor gebruik door servicemonteurs.

De installatie van originele reserveonderdelen van Numatic mag alleen worden uitgevoerd door gecertificeerde servicemonteurs van Numatic die gespecialiseerd zijn en bekend zijn met alle relevante veiligheidsvoorschriften.

Numatic International Ltd aanvaardt geen verantwoordelijkheid of aansprakelijkheid voor verlies of schade aan eigendommen of personen als reparaties of onderhoud aan producten worden uitgevoerd door niet-gecertificeerde personen.

Specificaties en onderdelen kunnen zonder voorafgaande kennisgeving worden gewijzigd.

**RENÚNCIA DE RESPONSABILIDADE:****PT**

Estes desenhos servem apenas como referência para a encomenda de peças e destinam-se a ser utilizados pelos técnicos de assistência.

A instalação de peças sobresselentes genuínas da Numatic só deve ser efetuada por técnicos de assistência certificados da Numatic que se especializem e familiarizem com todos os regulamentos de segurança relevantes.

A Numatic International Ltd não aceita qualquer responsabilidade por perdas ou danos materiais ou pessoais se as reparações ou a manutenção dos produtos forem efetuadas por pessoas não certificadas.

As especificações e as peças estão sujeitas a alterações sem aviso prévio.

**ESCLUSIONE DI RESPONSABILITÀ:****IT**

Questi disegni sono forniti solo come riferimento per l'ordine dei componenti e sono destinati all'uso da parte dei tecnici dell'assistenza.

L'installazione di ricambi originali Numatic deve essere eseguita esclusivamente da tecnici dell'assistenza certificati Numatic specializzati e a conoscenza di tutte le norme di sicurezza pertinenti.

Numatic International Ltd non si assume alcuna responsabilità per eventuali perdite o danni alla proprietà o alle persone se le riparazioni o la manutenzione dei prodotti vengono eseguite da persone non certificate.

Le specifiche e le parti sono soggette a modifiche senza preavviso.

**EXENCIÓN DE RESPONSABILIDAD:****ES**

Estos esquemas solo se muestran como referencia para pedir piezas y para su uso por parte de ingenieros de mantenimiento.

La instalación de recambios originales de Numatic solo deben realizarla los ingenieros de mantenimiento homologados de Numatic que estén especializados y familiarizados con las normativas de seguridad pertinentes.

Numatic International Ltd no acepta la responsabilidad de cualquier pérdida o daño a la propiedad o a las personas si las reparaciones o el mantenimiento de los productos se llevan a cabo por personas sin certificación.

Las especificaciones y piezas están sujetas a cambios sin previo aviso.

**ZASTRZEŻENIE:****PL**

Rysunki te służą wyłącznie do celów referencyjnych podczas zamawiania części i są przeznaczone do użytku przez inżynierów serwisowych.

Montaż oryginalnych części zamiennych Numatic powinien być wykonywany wyłącznie przez certyfikowanych serwisantów firmy Numatic, którzy posiadają odpowiednie kwalifikacje i znają wszystkie odpowiednie przepisy bezpieczeństwa.

Firma Numatic International Ltd nie ponosi odpowiedzialności za jakiegokolwiek straty lub szkody majątkowe i osobiste, jeśli naprawy lub serwisowanie produktów są przeprowadzane przez osoby nieposiadające certyfikatu.

Dane techniczne i części mogą zostać zmienione bez powiadomienia.

**FRISKRIVNINGSKLAUSUL:****SV**

Dessa ritningar är endast avsedda för referens vid beställning av reservdelar och är avsedda för servicetekniker.

Installation av originalreservdelar från Numatic får endast utföras av certifierade Numatic-servicetekniker som specialiserar sig på och känner till alla relevanta säkerhetsföreskrifter.

Numatic International Ltd påtar sig inget ansvar för förlust eller skada på egendom eller person om reparationer eller service av produkter utförs av icke-certifierade personer.

Specifikationerna och produktens delar kan ändras utan föregående meddelande.

**VASTUUVAPAUCLAUSEKE:****FI**

Nämä piirrokset on tarkoitettu ainoastaan osien tilaamisen avuksi ja ainoastaan huoltoinsinöörien käyttöön.

Aitoja Numatic-varaosia saavat asentaa vain sertifioidut Numatic-huoltoinsinöörit, jotka ovat perehtyneet kaikkiin asiaankuuluviin turvamääräyksiin.

Numatic International Ltd ei ole vastuussa mistään omaisuus- tai henkilövahingoista, jos sertifioidut henkilöt ovat korjanneet tai huoltaneet tuotteita.

Teknisiä ominaisuuksia ja osia voidaan muuttaa ilman erillistä ilmoitusta.

**ANSVARFRASKRIVELSE:****DA**

Disse tegninger er kun til reference for reservedelsordrer og er beregnet til serviceteknikere.

Montering af originale Numatic-reservedele må kun udføres af certificerede Numatic-serviceteknikere, der er specialiseret i og har kendskab til alle relevante sikkerhedsbestemmelser.

Numatic International Ltd påtager sig intet ansvar for tab eller skade på ejendom eller person, hvis reparationer eller service på produkter foretages af ikke-certificerede personer.

Specifikationer og dele kan ændres uden varsel.

**Numatic International Spare Parts**

**Model No.:** TBL6055 EXPLODED VIEW : TOP TANK

9155/10

DRAWING: DRW-39165 ISS:A03  
11/10/2022

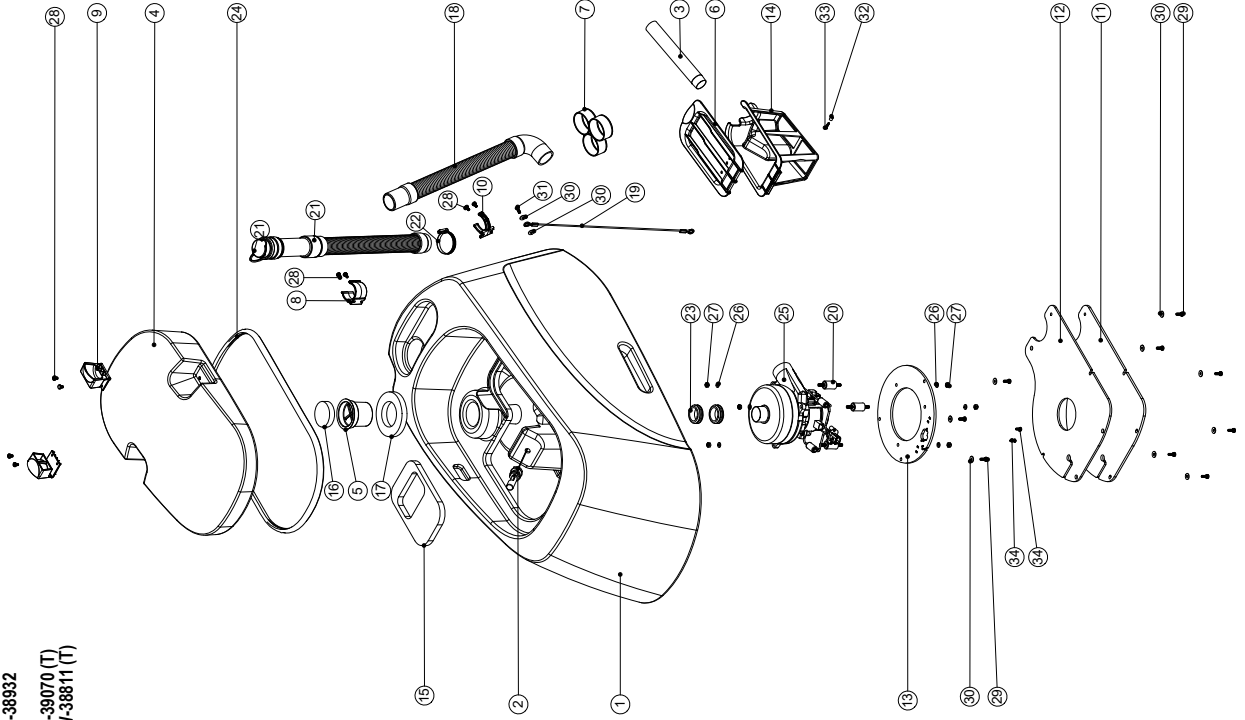
Internal Code:

PRO

**NB: FOR WIRING SEE DRAWING:**

120V : DRW-39068  
230V : DRW-38932

120V : DRW-39070 (T)  
230V : DRW-38811 (T)



**Numatic International Spare Parts**

**Model No.:** TBL6055 EXPLODED VIEW : TOP TANK

ITEM:	PART No:	Description	Comments	QTY.
1	902296	TTV4555TTB6055 GREY TOP TANK MOULDING C/W FLOAT SWITCH & TUBE		1
2	902234	FLOAT SWITCH (N.C)	903038 SPARE END TIP	
3	304386	PROCESSED ALUMINIUM WELDED TUBE CUT TO LENGTH (210MM)C6		
4	902323	TTV4555 GREY SEPERATOR HOOD MOULDING		1
5	237688	FOAM FILTER BODY		1
6	237773	FILTER BASKET LID		1
7	237718	HOSE GUIDE		1
8	237382	ACETAL HOSE CLIP MOULDING		1
9	902919	CLIP MOULDING (RED)		2
10	237754	35-38MM HOSE CLIP		1
11	902237	VAC MOTOR BOTTOM PLATE (2 STAGE)		1
12	915342	TBL6055 VAC MOTOR BOTTOM PLATE SEAL		1
13	902236	TANGENTIAL VAC MOTOR BRACKET (PP)		1
14	208417	FILTER BASKET		1
15	208950	FLOAT PAD		1
16	N/A	INNER FOAM FILTER/OUTER FOAM FILTER		1
17	208947	INNER FOAM FILTER/OUTER FOAM FILTER		1
18	280021	35MM X 1000MM LONG 3:1 STRETCH HOSE (SHORT & LONG CUFF)		1
	900903	HOSE CLOSURE REPLACEMENT KIT (35MM-38MM STRETCH HOSE)	SPARE PART	
19	N/A	495MM LONG LIFTING LINK WIRE (Item: 208204)		1
20	208534	30MM x 20MM ANTI VIBRATION MOUNT		3
21	901548	35MM X 250MM STRETCH HOSE (3:1) C/W ADJUSTABLE CUFF + CAP		1
22	219819	32MM-50MM STAINLESS STEEL HOSE CLIP		1
23	208144	38MM GROMMET X 6MM PANEL THICKNESS		2
24	391433	TTV4555 SEPARATOR SEALING GASKET CUT TO LENGTH		1
25	915804	24V TANGENTIAL DISCHARGE 2-STAGE VAC MOTOR & PLUG ASSEMBLY + CHOKE		1
26	219870	M6 FORM A WASHER STAINLESS STEEL		6
27	219842	M6 STAINLESS STEEL NYLON INSERT HALF NUT		6
28	291135	M5 X 10MM LONG STAINLESS STEEL POZI PAN SEMS SCREW		8
29	291132	M5 X 16MM LONG STAINLESS STEEL POZI PAN SEMS SCREW		9
30	219844	M5 FORM G STAINLESS STEEL WASHER		11
31	219547	M5 X 16MM LONG POZI PAN STAINLESS STEEL SCREW		1
32	219508	SPIROL SPACER		1
33	299021	No8 X 3/4 INCH LONG SELF TAP POZI PAN SCREW		1
34	219569	No8 X 1/2 INCH LONG POZI PAN STAINLESS STEEL PLASTITE SCREW		2

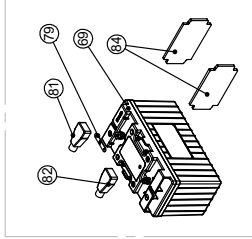
**Numatic International Spare Parts**

TELEMATICS: 1 BATTERY - 916315  
2 BATTERY - 916316  
LESS BATTERIES: 917282

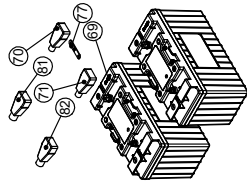
914851, 916216, 916315,  
916316, 917281, 917282

TBL6055T EXPLODED VIEW: BOTTOM TANK  
24/88/0003 DRW-39461 ISS:A10

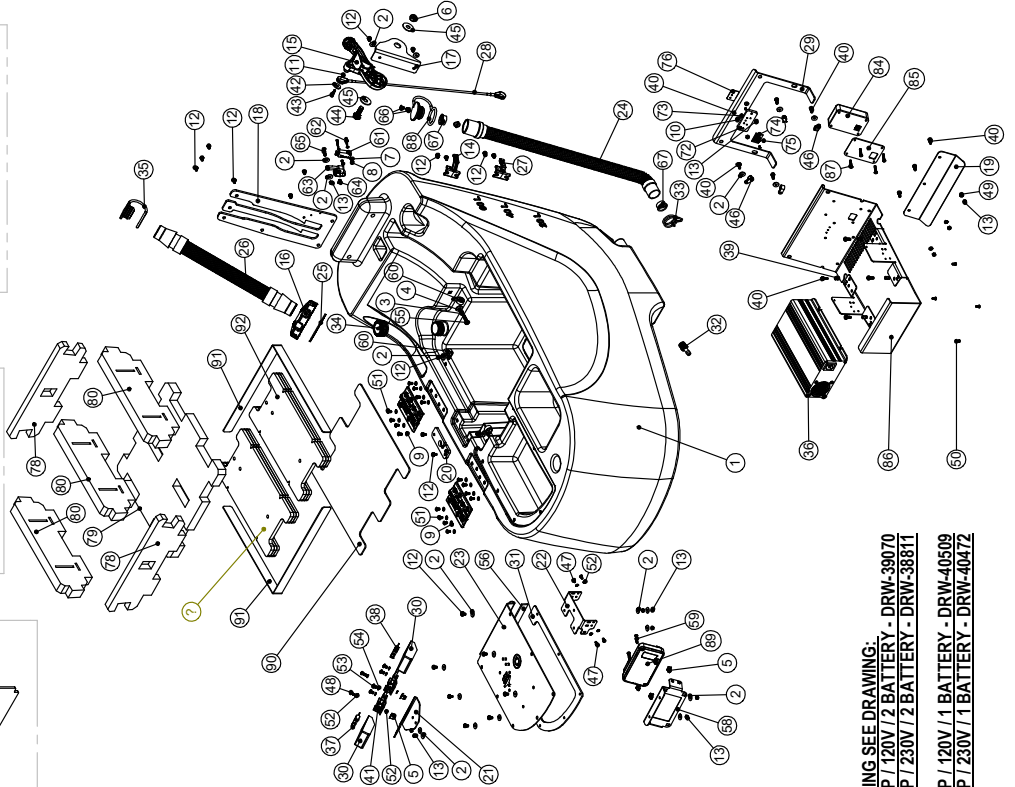
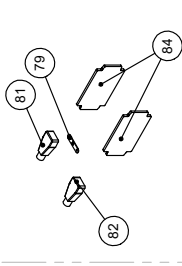
1 BATTERY - 916216



2 BATTERY - 914851



LESS BATTERIES 917281



NB: FOR WIRING SEE DRAWING:  
TBL6055T LFP / 120V / 2 BATTERY - DRW-39070  
TBL6055T LFP / 230V / 2 BATTERY - DRW-38871

TBL6055T LFP / 120V / 1 BATTERY - DRW-40509  
TBL6055T LFP / 230V / 1 BATTERY - DRW-40472

**Numatic International Spare Parts**

TELEMATICS: 1 BATTERY - 916315  
2 BATTERY - 916316  
LESS BATTERIES: 917282

914851, 916216, 916315,  
916316, 917281, 917282

TBL6055T EXPLODED VIEW: BOTTOM TANK  
24/88/0003 DRW-39461 ISS:A10

ITEM	ITEM NO.	DESCRIPTION	COMMENTS	QTY.
1	ETB6055	GREY BOTTOM TANK MouldING	WITH LOGO	1
2	902159	ETB6055 GREY BOTTOM TANK MouldING (EP)	WITHOUT LOGO	24
3	219844	M5 FORM G STAINLESS STEEL WASHER		1
4	902253	M6 EXTERNAL SHAKEROOF WASHER STAINLESS STEEL		1
5	219847	M6 FORW G STAINLESS STEEL WASHER		6
6	219836	M10 STAINLESS STEEL WASHER NUT TO SUIT No.8 PLASTITE SCREW)		6
7	219801	M10 STAINLESS STEEL WASHER NUT		4
8	219801	M3 FORM A STAINLESS STEEL WASHER		2
9	219154	M3 NYLON INSERT NUT STAINLESS STEEL		2
10	219555	M5 FORM A STAINLESS STEEL WASHER		16
11	219462	RUBBER WASHER REF NO. 0390910		2
12	219687	M4 STAINLESS STEEL NYLON INSERT NUT		2
13	219683	M5 STAINLESS STEEL NYLON INSERT NUT		13
14	219683	M5 STAINLESS STEEL NYLON INSERT NUT		13
15	237754	35-38MM HOSE CLIP		1
16	902324	RED SQUEEGEE LIFT HANDLE		1
17	237174	FILLER CAP WITH FILLER HOSE HOLE		1
18	903270	FLOOR TOOL HANDLE BRACKET Z/PL		1
19	902352	W/SHOULDER CHARGER CAP ASST SKIRT PAINTED SILVER		1
20	902238	RETAINING PLATE		1
21	902254	FUSE BRACKET PAINTED SILVER		1
22	902253	CONTACTOR BRACKET PAINTED SILVER		1
23	902269	ELECTRONICS PLATE ASSY PAINTED SILVER		1
24	N/A	FLUMP HOSE SEALING RING		1
25	206842	420MM LONG BLACK STRETCH HOSE C/W CUFFS		1
26	901916	28mm HOSE CLIP		1
27	208996	LIFTING WIRE TT4555 / TTB6055		1
28	208337	CHARGER PLATE PUNCHED GASKET		1
29	208902	MAXI HOSE HOLDER COVER		2
30	219536	3/8" BSP MALLEABLE COPPER COUPLING O RING TO 10.5MM HOSE FAIL		1
31	219536	3/8" BSP MALLEABLE COPPER COUPLING O RING TO 10.5MM HOSE FAIL		1
32	902133	SPRING WIRE CLAMP (VDNAC-Y80103969)		1
33	208106	BOTTLE CAP		1
34	903341	32MM HOSE CAP RED (C/W 8MM HOLE)		1
35	914042	CHARGER 24V LFP		1
36	211091	30 AMP MAXI FUSE		1
37	219558	M5 STAINLESS STEEL NUTSERT		4
38	219558	M5 STAINLESS STEEL NUTSERT		4
39	291132	M5 X 16MM LONG STAINLESS STEEL POZI PAN SEMS SCREW		13
40	291132	M5 X 16MM LONG STAINLESS STEEL POZI PAN SEMS SCREW		13
41	291118	FUSE HOLDER RATED AT 60 AMPS		1
42	291118	M5 STAINLESS STEEL WASHER 19MM OD		1
43	219686	M4 X 20MM LONG STAINLESS STEEL POZI PAN MACHINE SCREW		1
44	914268	M10 X 30MM STAINLESS STEEL WASHER		2
45	914268	M10 X 30MM STAINLESS STEEL WASHER		2
46	2195893	P-C-IP		4
47	219697	M4 X 8MM LONG POZI PAN STAINLESS STEEL SCREW		4
48	219569	No8 X 1/2 INCH LONG POZI PAN STAINLESS STEEL PLASTITE SCREW		4
49	291020	M5 STAINLESS STEEL EXTERNAL SHAKEROOF LOOK WASHER		3
50	902253	M6 X 30MM LONG POZI PAN STAINLESS STEEL SHAKEROOF LOOK WASHER		2
51	291145	M6 X 30MM LONG POZI PAN STAINLESS STEEL SHAKEROOF WASHER		16
52	291145	M6 X 30MM LONG POZI PAN STAINLESS STEEL SHAKEROOF WASHER		16
53	219864	M5 X 8MM LONG POZI PAN SCREW Z/PL		4
54	219864	M5 X 8MM LONG POZI PAN SCREW Z/PL		4
55	902232	M6 X 25MM LONG POZI PAN SCREW STAINLESS STEEL		1
56	902387	3MM X 19MM MINI EAL TYPE 3289 (190MM)		1
57	904096	MOTOR CONTROL OVER BRACKET PAINTED SILVER		2
58	2198226	No8 X 1/4 INCH LONG POZI DRIVE COUNTERSUNK HEAD SCREW		3
59	219814	P-C-IP		3
60	219814	IP RATED MICROSWITCH		2
61	208748	M3 X 25MM LONG POZI PAN SCREW STAINLESS STEEL		2
62	904052	M3 X 25MM LONG POZI PAN SCREW STAINLESS STEEL		2
63	219874	SWITCH STOP MOULDING		1
64	219575	M5 X 25MM LONG POZI PAN STAINLESS STEEL SCREW		2
65	904403	BARBED RIVET BLACK		2
66	904108	FLOAT STOP MOULDING		2
67	904108	FLOAT STOP MOULDING		2
68	904109	FOAM MouldING		1
69	911948	NI-XR BATTERY (LFP)		2
70	908147	RED BATTERY TERMINAL COVER (415NB02)		1
71	916651	RED BATTERY TERMINAL COVER (415NB14)		1
72	902493	CHARGER LED PCB SPACER (6565/4655)		2
73	291141	M2 X 12MM LONG APPR. (7.1M2)		1
74	280002	CHARGER LED DISPLAY PCB		2
75	219978	M2 X 6MM LONG POZI PAN SCREW		2
76	208978	CHARGER LIGHTS OVERLAY		1
77	N/A	CANBUS H/L0 CONNECTOR PCB		1
78	916349	TBL6055T SLOTTED BATTERY TRAY VERSION 2 - SIDE WALL (18mm)		1
79	914251	TBL6055T SLOTTED BATTERY TRAY - WALL (25mm)		3
80	914251	TBL6055T SLOTTED BATTERY TRAY - WALL (25mm)		3
81	915218	RED BATTERY TERMINAL COVER (415NB/02) (19.05MM DIA)		1
82	915219	BLACK BATTERY TERMINAL COVER (415NB/14) (19.05MM DIA)		1
83	916202	Single Battery Foam Spacer	Less Batteries/1 Battery configuration	2
84	912615	TELEMATICS MODULE ASSEMBLY - GRAPHITE GREY	TELEMATICS ONLY	1
85	912151	ADHESIVE PAD - TELEMATICS	TELEMATICS ONLY	1
86	913514	TELEMATICS CHARGER PLATE (20A) PAINTED SILVER GREY	TELEMATICS ONLY	1
87	905340	CHARGER PLATE (20A) PAINTED SILVER GREY	NON TELEMATICS	1
88	903325	No8 X 1 INCH LONG POZI PAN STAINLESS STEEL PLASTITE SCREW	TELEMATICS ONLY	4
89	904459	PROGRAMMED 70A MOTOR CONTROLLER (TGB)		1
90	917755	TBL6055T BOTTOM TANK WEIGHT PROTECTOR PLATE		1
91	917749	TBL6055T BOTTOM TANK WEIGHT PROTECTOR		2
92	917542	TBL6057/TBL6058/TBL6011 BOTTOM TANK WEIGHT		2

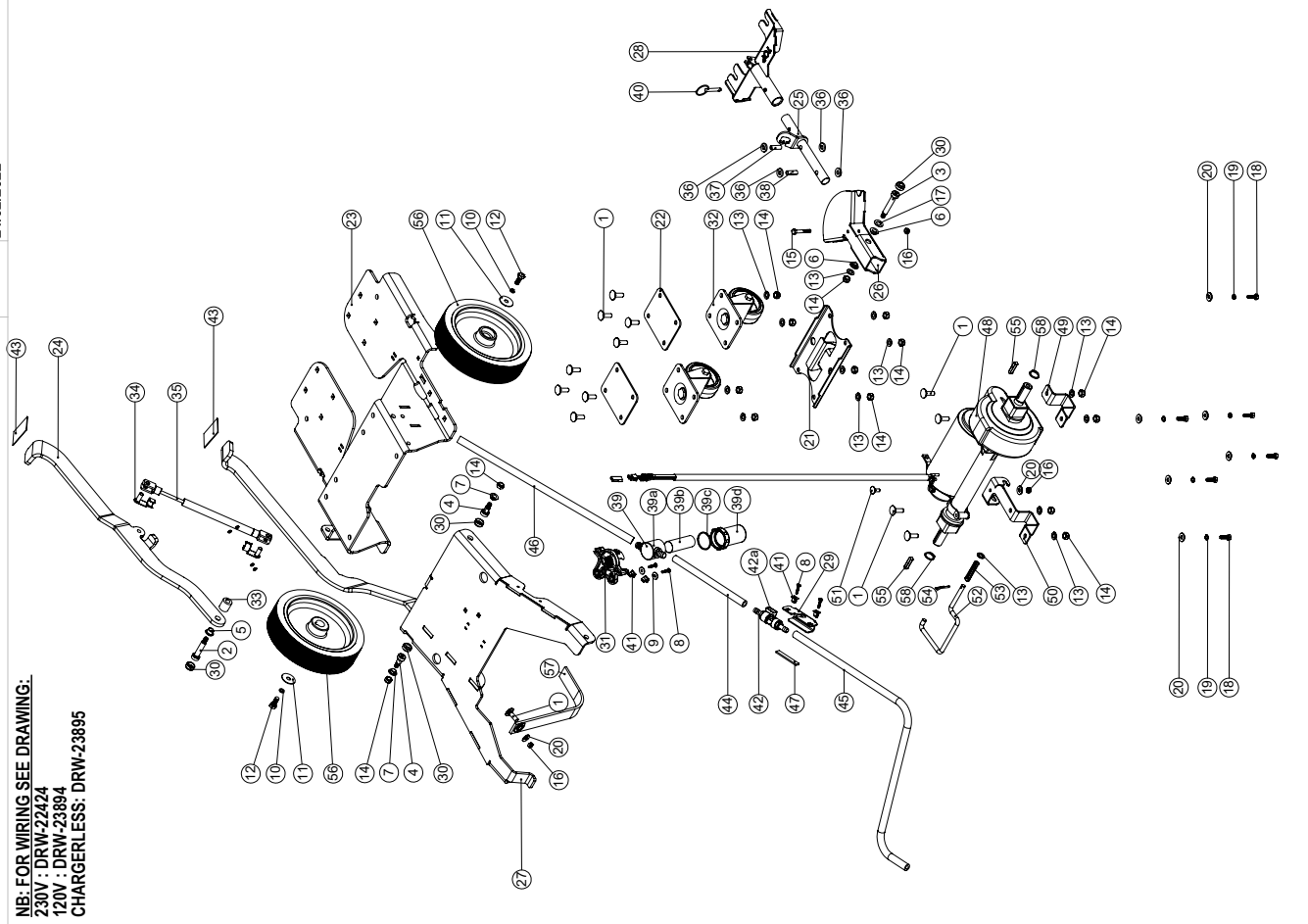
# Numatic International Spare Parts

Model No: TGB6055T EXPLODED VIEW : CHASSIS

NB: FOR WIRING SEE DRAWING:  
230V : DRW-22424  
120V : DRW-23894  
CHARGERLESS: DRW-23895

904133

DRAWING: DRW-21956 ISS:A11  
24/02/2022



# Numatic International Spare Parts

Model No: TGB6055T EXPLODED VIEW : CHASSIS

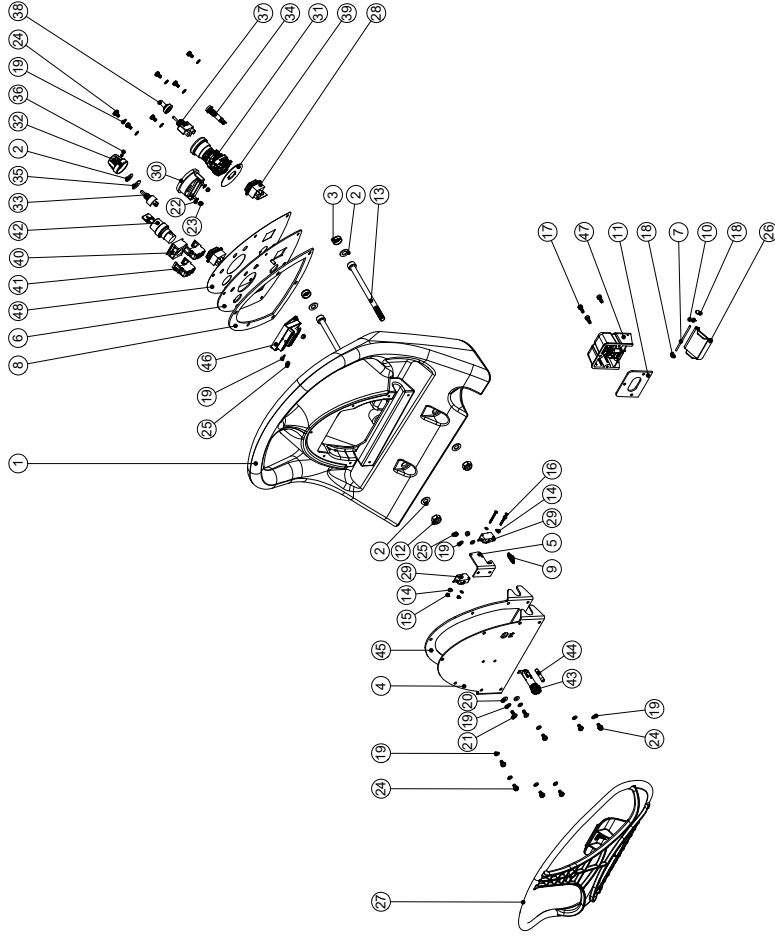
ITEM:	PART No:	DESCRIPTION	COMMENTS:	QTY:
1	902010	M8 X 25 COACH BOLT S/S		13
2	208355	M8 X 10 X 40MM LONG HEX SOCKET SHOULDER BOLT		1
3	208333	M8 X 10 X 50MM LONG HEX SOCKET SHOULDER BOLT		1
4	208313	M8 X 10 X 12MM LONG HEX SOCKET SHOULDER BOLT		2
5	208331	IGUS BEARING (GFM 101209)		1
6	208312	IGUS BEARING (GFM 101205)		2
7	208330	IGUS BEARING (GFM 101206)		2
8	219568	NO8.3/4 INCH LG. POZI-PAN.SCREW.STAINLESS STEEL PLASTITE		4
9	219644	M5 FORM G STAINLESS STEEL WASHER		2
10	219888	M8 SINGLE COIL STAINLESS STEEL WASHER		2
11	219877	M8 X 30 STAINLESS STEEL WASHER		2
12	219717	M8 X 20MM LONG HEXAGONAL STAINLESS STEEL BOLT		2
13	219578	M8 FORM A STAINLESS STEEL WASHER		14
14	219639	M8 STAINLESS STEEL NYLON INSERT NUT		15
15	291125	M6 X 40 LONG HEX BOLT STAINLESS STEEL		1
16	219642	M6 STAINLESS STEEL NYLON INSERT HALF NUT		3
17	219903	M10 FORM A STAINLESS STEEL WASHER		1
18	219976	M6 X 20MM LONG HEXAGONAL HEAD SET SCREW		6
19	902353	M6 EXTERNAL SHAKEPROOF WASHER STAINLESS STEEL		6
20	219647	M6 FORM G STAINLESS STEEL WASHER		8
21	904960	FLOOR TOOL LIFTING PIVOT BRACKET WELD ASSY PAINTED SILVER		1
22	329581	CASTOR ADAPTOR SPACER		2
23	904074	TGB6055 TRACTION CHASSIS PAINTED SILVER		1
24	404131	TTV4555 EXTRA LOAD PEDAL ZIPL		1
25	905730	TGB6055 FLOOR TOOL PIVOT TUBE ASSEMBLY		1
26	905728	FLOOR TOOL LIFTING PLATE WELD ASSEMBLY (3MM M/S) ZIPL		1
27	902288	ETB6055 DECK LIFTING LINK ZIPL		1
28	304466	FLOOR TOOL BRACKET ASSEMBLY (TT/TTTB4045/4055)		1
29	902282	TAP BRACKET PAINTED SILVER		1
30	237632	SHOULDER BOLT COVER		4
31	901006	FILTER MOUNTING BRACKET		1
32	N/A	HEAVY DUTY CASTOR. BLUE TYRE (Item:204116)		2
33	208350	NYLON SPACER I/D 10.2MM X O/D 20.0MM X LENGTH 21.0MM		2
34	208634	GAS RAM CLEVIS CLIP		1
35	N/A	280N GAS RAM (Item:208623)		4
36	208964	SLIDE NYLON SPACER		1
37	208963	VERTICAL NYLON SPACER		1
38	208954	SPIRO SPACER		1
39	208888	EXTENDED STRAINER		1
39a	208827	STRAINER BLACK TOP	SPARE PART	1
39b	208889	EXTENDED STRAINER 50 MESH SCREEN	SPARE PART	1
39c	208830	STRAINER GASKET	SPARE PART	1
39d	208890	EXTENDED STRAINER CLEAR BOWL	SPARE PART	1
40	208953	DETENT PINS		1
41	900986	NYLON GROMMET NUT (PLASTIC INSERT TO SUIT No 8 PLASTITE SCREW)		4
42	208761	10MM HOSE TAIL TO 10MM HOSE TAIL BALL VALVE ASSEMBLY		1
42a	901544	TAP HANDLE C/W COVER AND M3X6MM SCREW (SPARE ITEM)		1
43	903064	FOOT PEDAL PAD (RED)	SPARE PART	2
44	303713	SILICONE TUBE (210MM LONG)	903063 CUT TO LENGTH	1
45	391216	SILICON TUBE 8MM I/D X 3.2MM WALL SECTION (CUT 600MM)		1
46	304443	SILICON TUBE 8MM I/D X 3.2MM WALL SECTION (CUT 420MM)		1
47	902760	3MM THICK X 9MM WIDE INSEAL (212062 X 60MM LONG)		1
48	321700	465MM LONG ASI TRANSAXLE C/W SHORTNED 850MM WIRES		1
49	329497	TRANSAXLE MOUNTING BRACKET		1
50	392217	TTV4555 BRAKE LEVER AND AXLE CLAMP		1
51	291103	M6 X 16 COACH BOLT S/S		1
52	304370	TTV4555 BRAKE LEVER		1
53	219326	50MM LONG COMPRESSION SPRING		1
54	219171	3.2MM X 28MM SPLIT COTTER PIN		1
55	206744	6MM X 6MM X 32MM FEATHER KEY		2
56	204115	200MM X 50MM TRACTION WHEEL - GREY PU TREAD COMBED PROFILE		2
57	903323	ANTI-STATIC STRAP (CUT TO LENGTH: 320MM LONG)		1
58	219889	19MM HEAVY DUTY CIRCLIP		2
59	291145	M4 SHAKEPROOF WASHER STAINLESS STEEL		4

**Numatic International Spare Parts**

**Model No:** TBL6055T EXPLODED VIEW : HANDLE

**NB: FOR WIRING SEE DRAWING: DRW-38811**

914852  
DRAWING: DRW-38469 ISS:A01  
11/03/2022



**Numatic International Spare Parts**

**Model No:** TBL6055T EXPLODED VIEW : HANDLE

ITEM No:	DESCRIPTION	COMMENTS	QTY.
1	304442 PROCESSED TTV5865 GREY HANDLE MouldING		1
2	219803 M10 FORM A STAINLESS STEEL WASHER		5
3	237632 SHOULDER BOLT COVER		2
4	902263 HANDLE BACK PLATE ETB6055 PAINTED SILVER		1
5	902251 HANDLE MICRO SWITCH BRACKET PAINTED SILVER		1
6	907126 TGB6055T CONTROL PANEL PLATE ASSEMBLY (NEW KEY) PAINTED SILVER		1
7	390879 72MM LONG X 3MM DIAMETER STAINLESS STEEL BAR		1
8	208336 CONTROL PANEL PUNCHED GASKET		1
9	208356 TRIGGER SPRING		1
10	219819 TORSION SPRING		1
11	202105 SOCKET COVER SEALING GASKET		1
12	219897 M10 STAINLESS STEEL NYLON INSERT NUT		2
13	902351 M10 X 150MM LONG SOCKET CAP SCREW STAINLESS STEEL		2
14	219801 M3 FORM A STAINLESS STEEL WASHER		4
15	291154 M3 NYLON INSERT NUT STAINLESS STEEL		2
16	291156 M3 X 30MM LONG POZI PAN SCREW STAINLESS STEEL		2
17	291007 M5 X 12MM LONG STAINLESS STEEL SOCKET CAP SCREW		3
18	219832 3MM DIAMETER STARLOCK		2
19	219355 M5 FORM A STAINLESS STEEL WASHER		19
20	219462 RUBBER WASHER REF NO. 0380810		2
21	219740 M5 X 12MM LONG STAINLESS STEEL POZI PAN SCREW		2
22	219688 M4 FORM A STAINLESS STEEL WASHER		2
23	219887 M4 STAINLESS STEEL NYLON INSERT NUT		2
24	291135 M5 X 10MM LONG STAINLESS STEEL POZI PAN SEMS SCREW		13
25	219633 M5 STAINLESS STEEL NYLON INSERT NUT		4
26	227781 FLAP MouldING		1
27	902325 RED HANDLE TRIGGER MouldING		1
28	902235 SWITCH DPST RED ILLUMINATED WITH MEMBRANE 24V		2
29	208391 SNAP ACTION SWITCH		2
30	914748 NORD (LFP) BATTERY HOUR METER 24V (MODEL: 1428-306.01 BDI NE306 CAN NUMATIC)	O-RING INCLUDED	1
31	904087 EMERGENCY STOP (XW1E-BV412MFR)		1
32	903498 SPEED ADJUSTMENT KNOB C/W INSERT (RED)		1
33	270316 POTENTIOMETER TYPE PR30.22K OHMS 20% 3W (WITH PANEL SEAL) (ROUND SHAFT WITH FLAT / NO SLOT IN SHAFT END)		1
34	270291 GREEN LED INDICATOR 2V C/W 2.2K RESISTOR		1
35	904094 SPEED CONTROL GASKET		1
36	219744 M4 X 6MM LONG BLACKODISED GRUB SCREW		2
37	206786 SWITCH		1
38	206785 SWITCH COVER C/W NUT		1
39	904086 EMERGENCY STOP NAME PLATE (HWAV-27-Y)		1
40	907150 FIXING ADAPTER (020G)		1
41	907151 TERMINAL BLOCK N.O. (020E10)		2
42	907149 KEY SWITCH SELECTOR (020SCA1)	907208 - SPARE KEYS	1
43	903032 BULGIN PANEL MOUNT FUSEHOLDER		1
44	903066 FUSE 2.5A (6.3x32)		1
45	903062 HANDLE BACK PLATE GASKET		1
46	904179 Terminal Block Assembly		1
47	904030 240V EMI FILTER WITH SOCKET COVER ASSEMBLY (PROCESSED)		1
48	914837 TBL6055T CONTROL PANEL OVERLAY		1

**Numatic International Spare Parts**

750 TWINTEC ALUMINIUM FLOOR TOOL (38MM HOSE, RED TRIM, SERILOR BLADES)

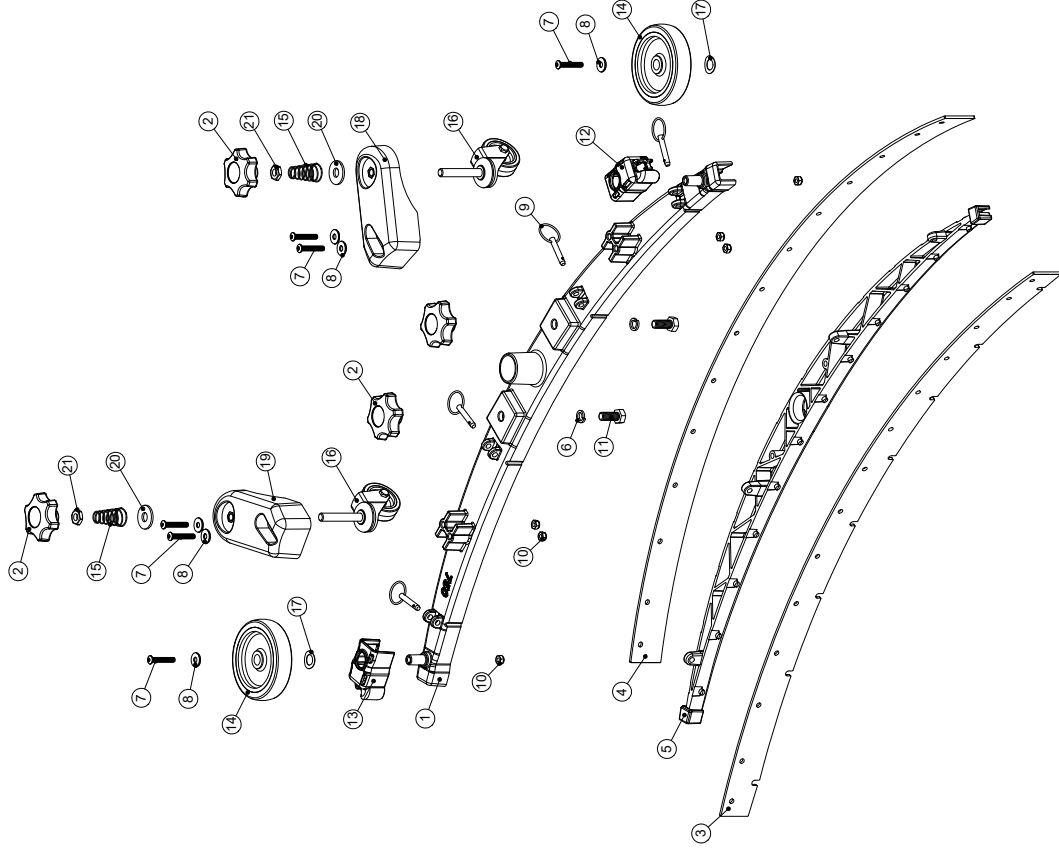
903853

DRAWING: DRW-23157 ISS:A07  
27/03/2019

Internal Code:

PRO

NB: FOR WIRING SEE DRAWING: WD-07??



**Numatic International Spare Parts**

Model No : 750 TWINTEC ALUMINIUM FLOOR TOOL (38MM HOSE, RED TRIM, SERILOR BLADES)

ITEM:	PART No:	DESCRIPTION	QTY.
1	208637	(750MM SCRUB WIDTH) ALUMINIUM SQUEEGEE CASTING (38MM HOSE FITTING)	1
2	903281	M10 LOBE KNOB (RED)	4
3	208988	750MM SCRUB WIDTH REPLACEMENT FRONT BLADE (968MM LONG)	1
4	208971	750MM SCRUB WIDTH REPLACEMENT REAR BLADE (1000MM LONG)	1
5	903848	(750MM SCRUB WIDTH) RED BLADE HOLDER MouldING (SLOPING PROFILE) (32MM & 38MM HOSE FITTING)	1
6	219899	M10 SINGLE COIL STAINLESS STEEL WASHER	2
7	219933	M6 X 35MM SOCKET BUTTON HEAD BOLT STAINLESS STEEL	6
8	219647	M6 FORM G STAINLESS STEEL WASHER	6
9	206953	DETENT PINS	4
10	219642	M6 STAINLESS STEEL NYLON INSERT NUT	6
11	219909	M10 X 25MM LONG HEXAGONAL STAINLESS STEEL SCREW	2
12	237322	RIGHT HAND FLOOR TOOL CLIP MouldING	1
13	237323	LEFT HAND FLOOR TOOL CLIP MouldING	1
14	208796	4 INCH WHEEL	2
15	229175	CONICAL SPRING	2
16	907759	50MM DIAMETER GREY TPR TYRED SWIVEL CASTOR C/W M10 X 60 SWAGED STEM.	2
17	219891	13MM WAVEY WASHER	2
18	906860	ADJUSTABLE FLOOR TOOL CASTOR PLASTIC PLATE LEFT	1
19	906859	ADJUSTABLE FLOOR TOOL CASTOR PLASTIC PLATE RIGHT	1
20	291124	M10 PENNY WASHER STAINLESS STEEL	2
21	219951	A4 (STAINLESS STEEL) M10 HEX LOCK NUT (HALF NUT)	2



# Numatic International Spare Parts

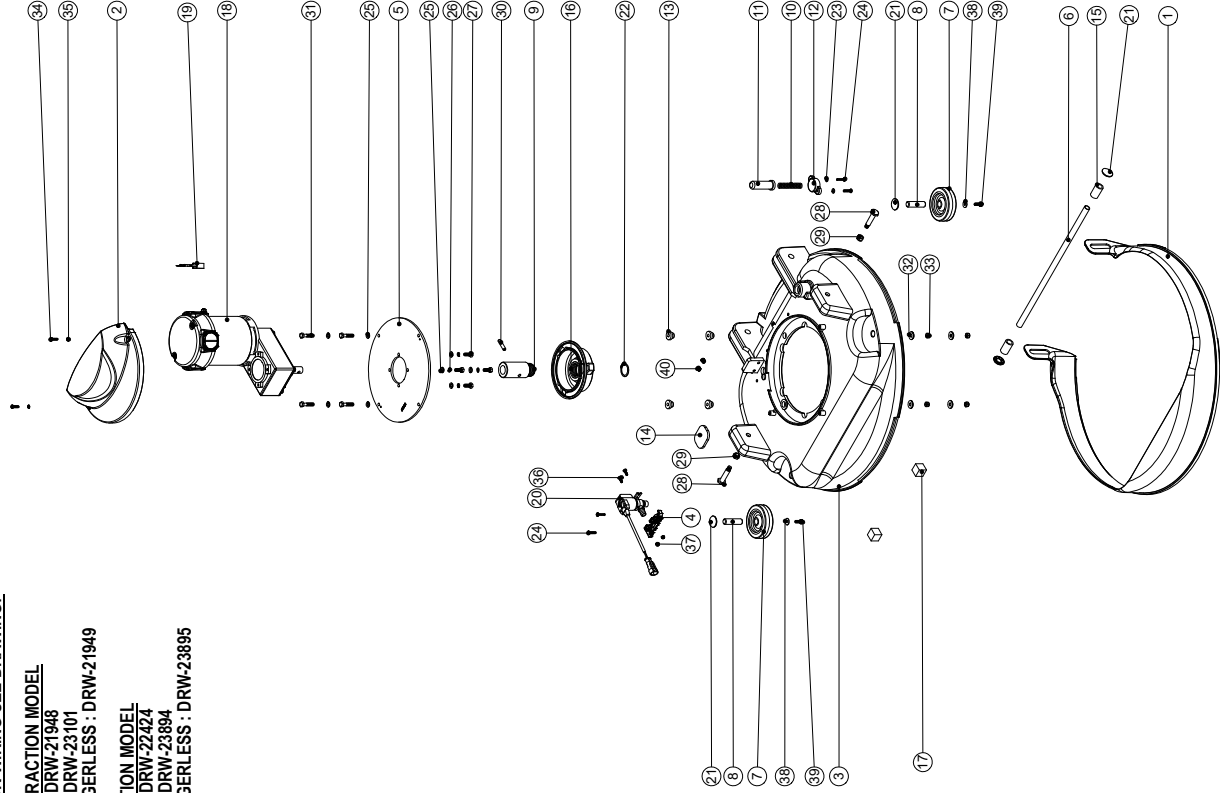
Model No: TBL6055 EXPLODED VIEW : BRUSH DECK

915624  
DRAWING: DRW-39682 ISS:A01  
14/07/2022

NB: FOR WIRING SEE DRAWING:

**NON-TRACTION MODEL**  
230V : DRW-21948  
120V : DRW-23101  
CHARGERLESS : DRW-21949

**TRACTION MODEL**  
230V : DRW-22424  
120V : DRW-23894  
CHARGERLESS : DRW-23895



# Numatic International Spare Parts

Model No: TBL6055 EXPLODED VIEW : BRUSH DECK

Item No.	Description	Comments	QTY.
1	229562 SPLASH SKIRT MOULDING		1
2	237380 AMER MOTOR COVER		1
3	304445 6055 BASE MOULDING		1
4	902556 SOLENOID MOUNT MOULDING		1
5	404166 TTB40454055 AMER MOTOR ADAPTOR PLATE PAINT SILVER GREY		1
6	391439 1/2 INCH DIAMETER X 18G STAINLESS STEEL TUBE (0.375)		1
7	204068 3 INCH GREY WHEEL		2
8	206013 BUFFER WHEEL PIN		2
9	208727 DRIVE SHAFT		1
10	219892 COMPRESSION SPRING		1
11	229128 PLUNGER		1
12	223242 PLUNGER MOUNTING PLATE MOULDING		1
13	229285 MOTOR MOUNTING SPACER		4
14	202098 FOOT PEDAL PAD		1
15	208769 NATUARL NYLON SPACER (12.8x18x30)		2
16	230207 DIE CAST CHUCK MACHINED		1
17	902352 FOAM SPACER 20MM		2
18	205245 AMER 100RPM MOTOR	230222 CARBON BRUSHES (SET)	1
19	915212 0.47UF 310V CAPACITOR ASSEMBLY		1
20	902949 TERMINATED SOLENOID CABLE-BLACK.125.0M5.2.24		1
21	204021 12.7MM STAINLESS STEEL HUB CAP		4
22	230048 26MM EXTERNAL CIRCLIP		1
23	219355 M5 FORM A STAINLESS STEEL WASHER		2
24	219568 NO8.34 INCH LG.POZI-PAN-SCREW STAINLESS STEEL PLASTITE		4
25	219870 M6 FORM A WASHER STAINLESS STEEL		8
26	219718 WASHER M6 SPRING STAINLESS STEEL		4
27	219719 M6 X 16MM LONG HEXAGONAL STAINLESS STEEL HEAD BOLT		4
28	206236 PIVOT PIN		2
29	219639 M8 STAINLESS STEEL NYLON INSERT NUT		2
30	281079 6MM X 30MM STAINLESS STEEL ROLL PIN		1
31	281022 M6 X 30MM LONG STAINLESS STEEL HEXAGONAL HEAD BOLT		4
32	219647 M6 FORM G STAINLESS STEEL WASHER		4
33	219642 M6 STAINLESS STEEL NYLON INSERT NUT		4
34	219862 M4 X 16MM LONG POZI PAN STAINLESS STEEL SCREW		2
35	281145 M4 SHAKEPROOF WASHER STAINLESS STEEL		2
36	219890 M4 X 12MM LONG POZI PAN STAINLESS STEEL SCREW		2
37	219887 M4 STAINLESS STEEL NYLON INSERT NUT		2
38	219644 M5 FORM G STAINLESS STEEL WASHER		2
39	281132 M5 X 16MM LONG STAINLESS STEEL POZI PAN SEMS SCREW		2
40	219009 M4 BRASS TAPPEX INSERT		2



### **Numatic International Limited (Head Office)**

Chard, Somerset TA20 2GB, UNITED KINGDOM

Tel: 01460 68600 numatic.com

### **Numatic International GmbH**

Fränkische Straße 15-19, 30455 Hannover, DEUTSCHLAND

Tel: +49 (0) 511 984 2160 numatic.de

### **Numatic International Denmark**

Fränkische Straße 15-19, 30455 Hannover, DEUTSCHLAND

Tel: +45 (0) 316 40808 numatic-online.dk

### **Numatic International S.A.S**

13/17 rue du Valengelier, EAE la Tuilerie, 77500 Chelles, FRANCE

Tel: +33 (0) 164 726 161 numatic.fr

### **Numatic International BV**

Vennootsweg 15, 2404 CG, Alphen aan den Rijn, NEDERLAND

Tel: +31 (0) 172 467 999 numatic.nl

### **Numatic International Schweiz AG.**

Sihlbruggstrasse 3A, 6340 Baar, SCHWEIZ

Tel: +41 (0) 41 768 0760 numatic.ch

### **Numatic International (PTY) Ltd.**

Cnr. 16th & Pharmaceutical Road, Randjes Park, Midrand 1685, SOUTH AFRICA

Tel: +27 (0) 861 686 284 numatic.co.za

### **Numatic International ULDA**

Rua Francisco da Silva Duarte, nº79,

4475-269 Santa Maria de Avioso, Castelo da Maia, PORTUGAL

Tel: +351 220 047 700 numatic.pt

### **Numatic International Spain, S.L.U.**

Av. Baix Llobregat, 5-7, Oficina bajos 1 (Parc Negocis Mas Blau II)

08820 El Prat de Llobregat (Barcelona), SPAIN

Tel: +34 93 647 22 22 numatic.es

### **Numatic International Italy S.R.L**

Via Luigi Galvani, 2, Z.I. Talponedo, 33080 Porcia (PN), ITALY

Tel: +39 (0) 434 046 211 numatic.it