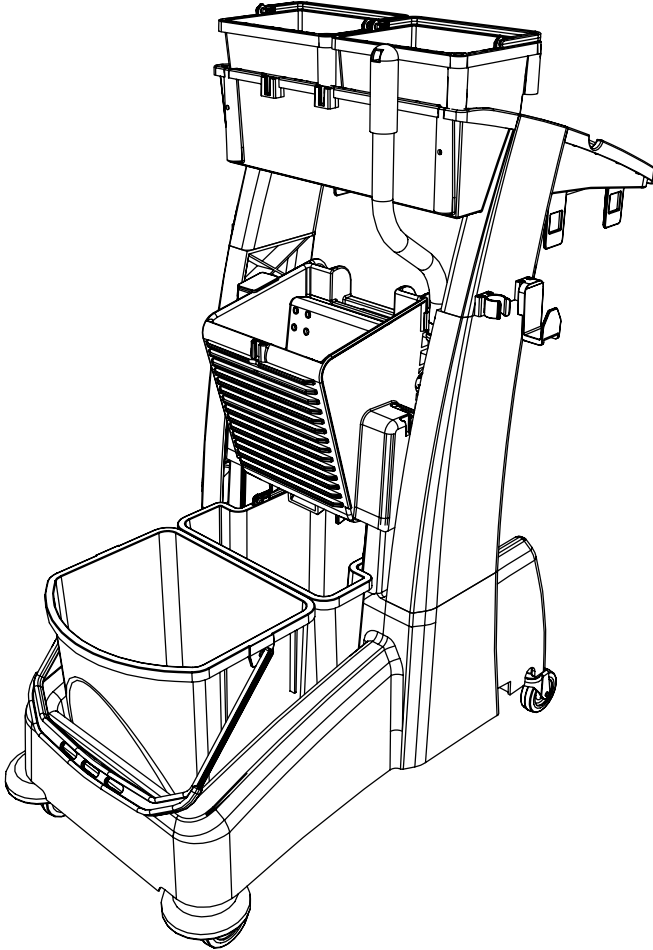


MM-4

# Numatic

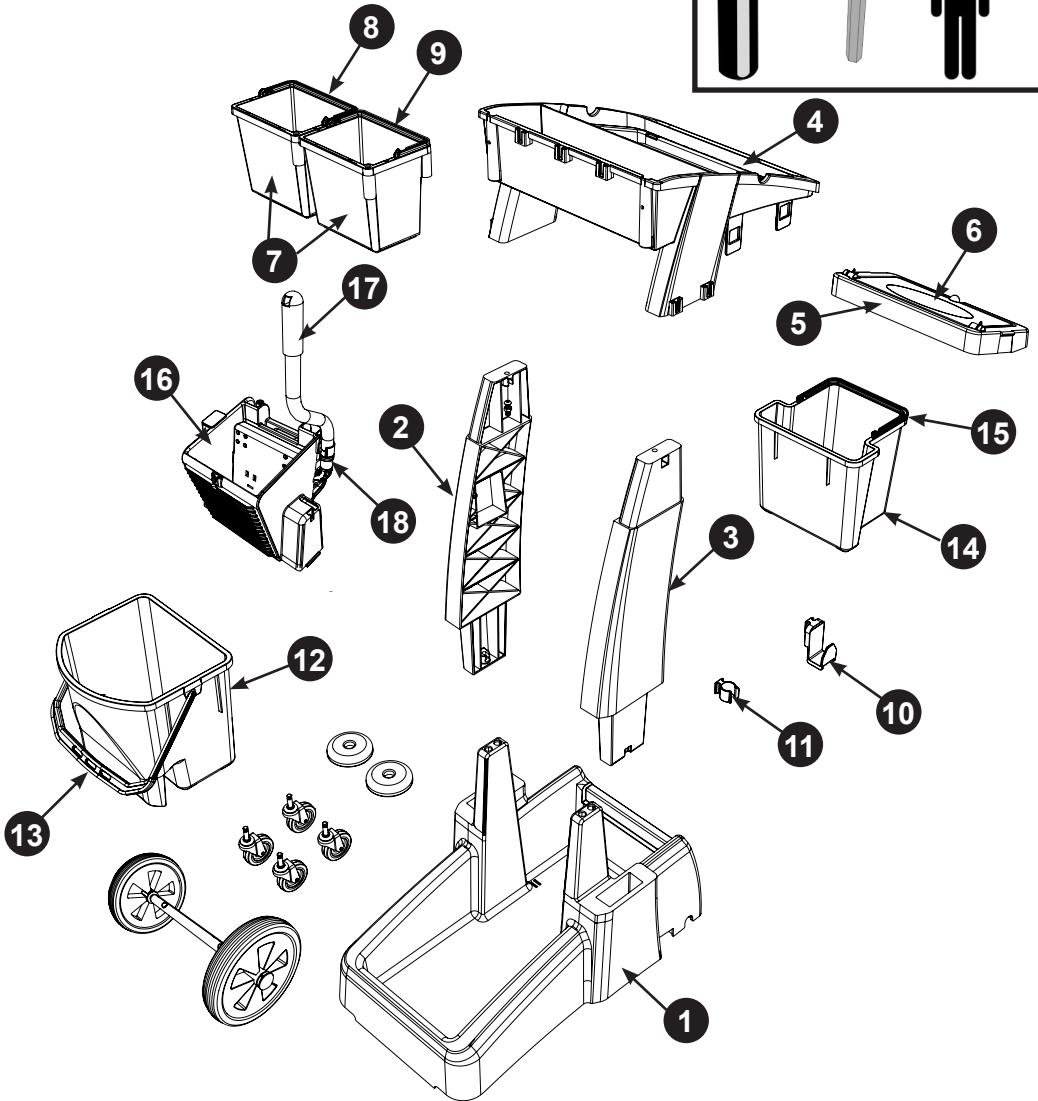
numatic.com



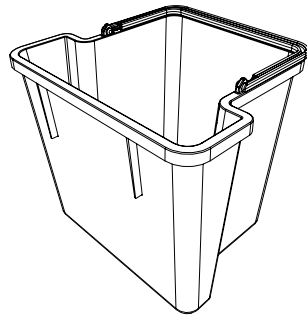
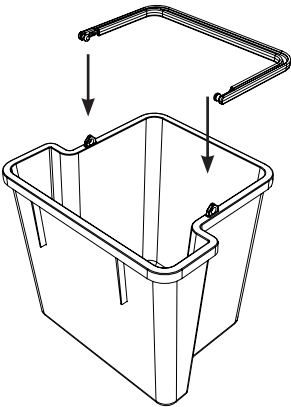
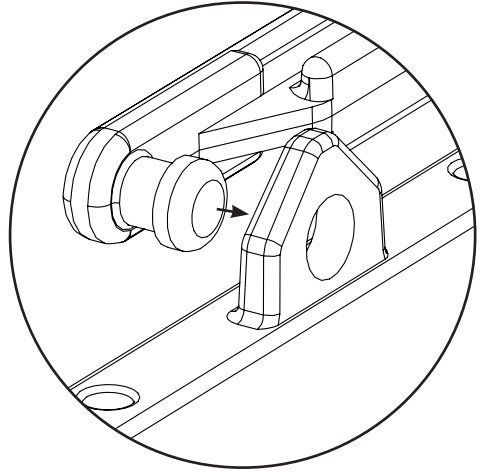
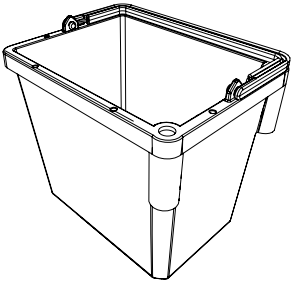
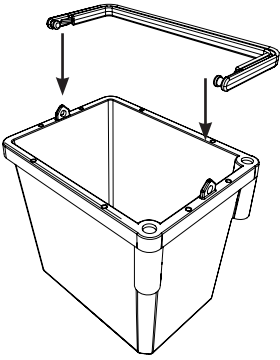
Original Instructions

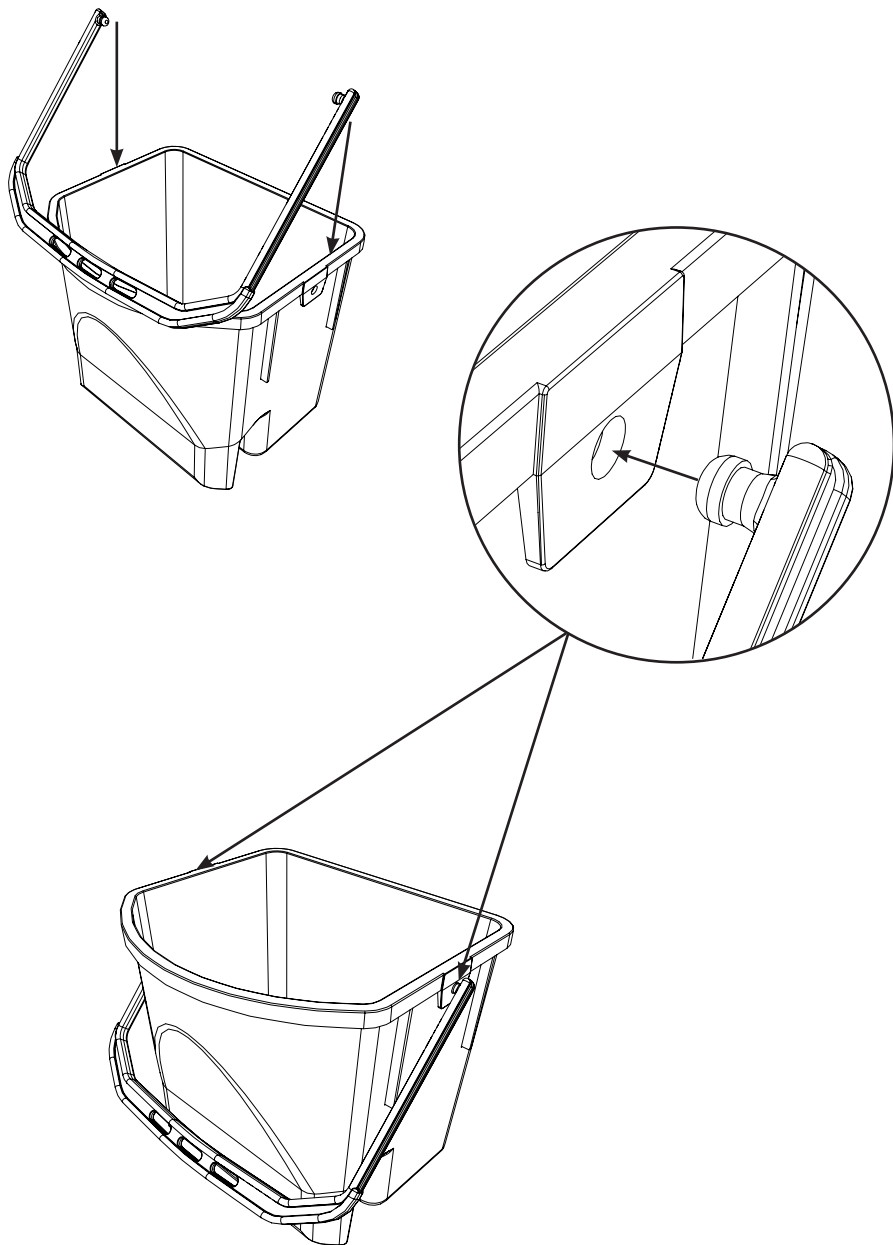
0.15 HR

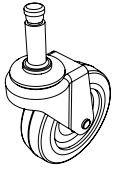
This icon block indicates the estimated assembly time is 0.15 hours. It includes a screwdriver, a curved tool, a clock face, and a silhouette of a person, representing the tools and labor required for the task.



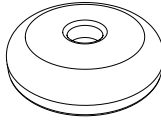
<b>Item</b>	<b>Description</b>	<b>Quantity</b>
1	Reflo Base	1
2	Left Hand Upright	1
3	Right Hand Upright	1
4	Handle Frame	1
5	Bag Securing	1
6	Lid	1
7	5 Litre Bucket	1
8	Red Handle	1
9	Blue Handle	1
10	Versaclean Hook T Slot	1
11	22mm Mid Mop Clamp	1
12	Clean Water Bucket	1
13	- Blue Handle	1
14	Dirty Water Bucket	1
15	- Red Handle	1
16	Mid Mop Press	1
17	Mop Press Handle	1
18	C Clip	1
19	70-Litre Grey Waste Bags (Roll of 10)	0.1
Optional Extra:	Axel and Wheel Assembly	1



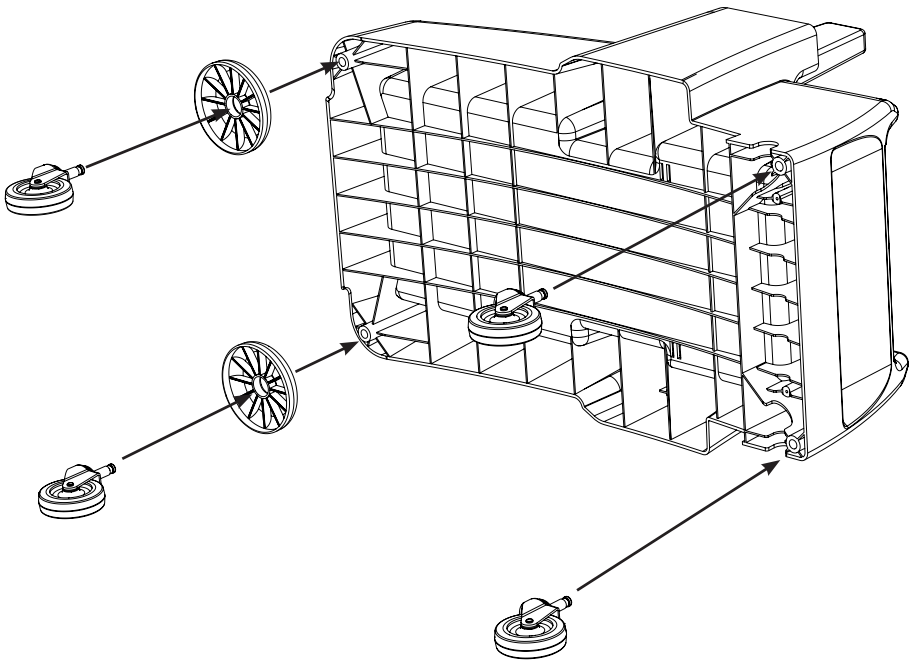




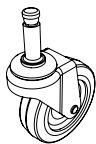
x4



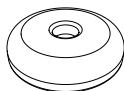
x2



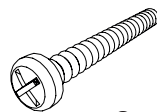
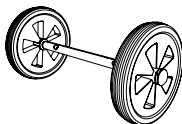
NO6 X 1 3/8 Inch Long  
Pozi Pan Screw



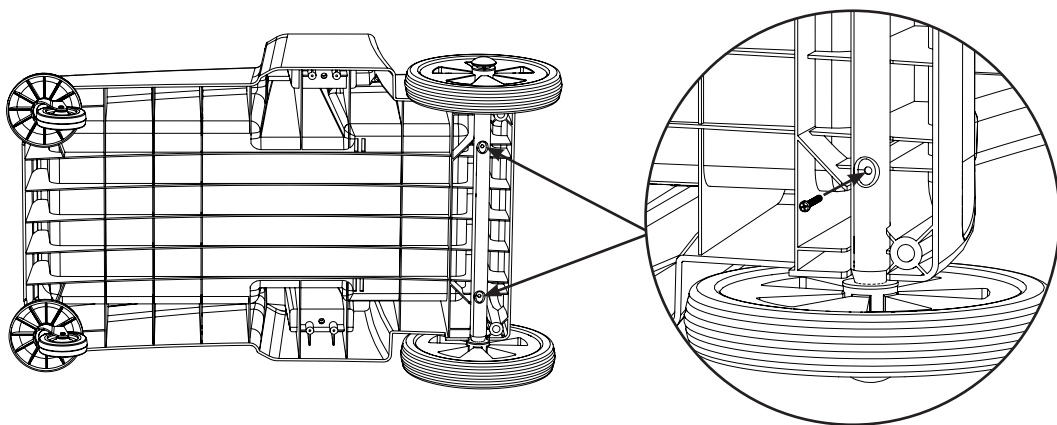
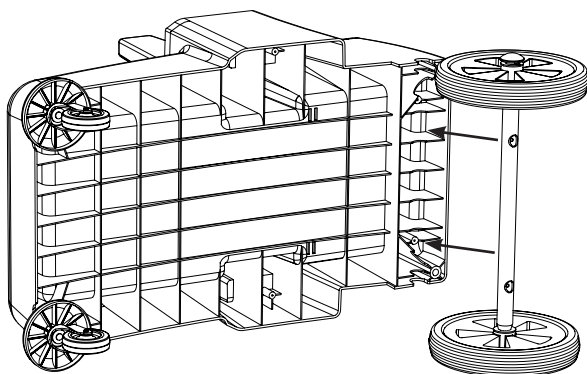
x2



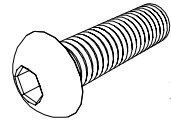
x2



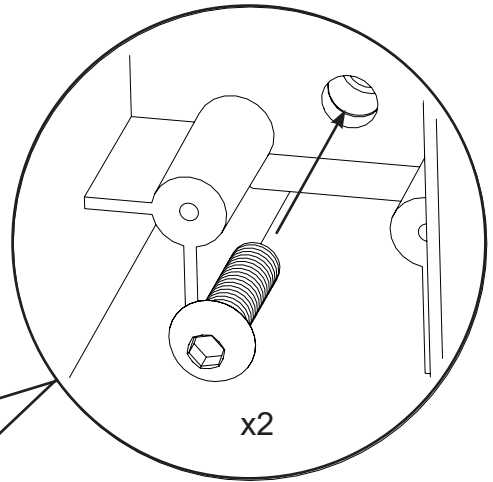
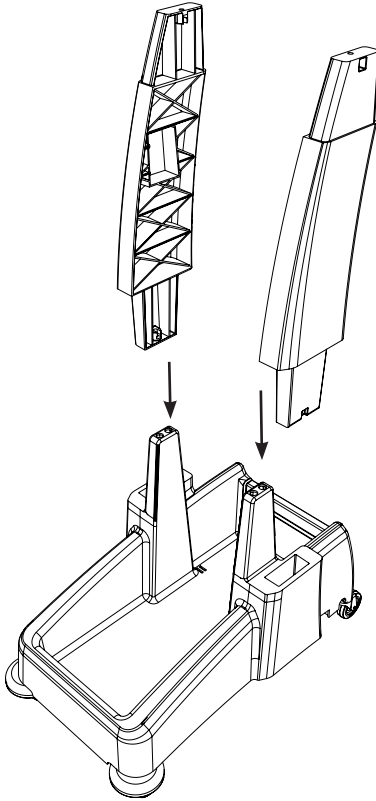
x2



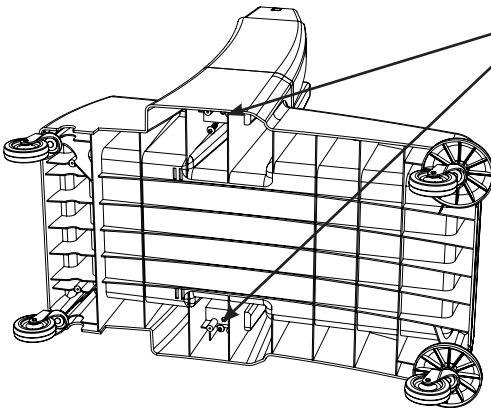
M8 25mm Socket Bolt



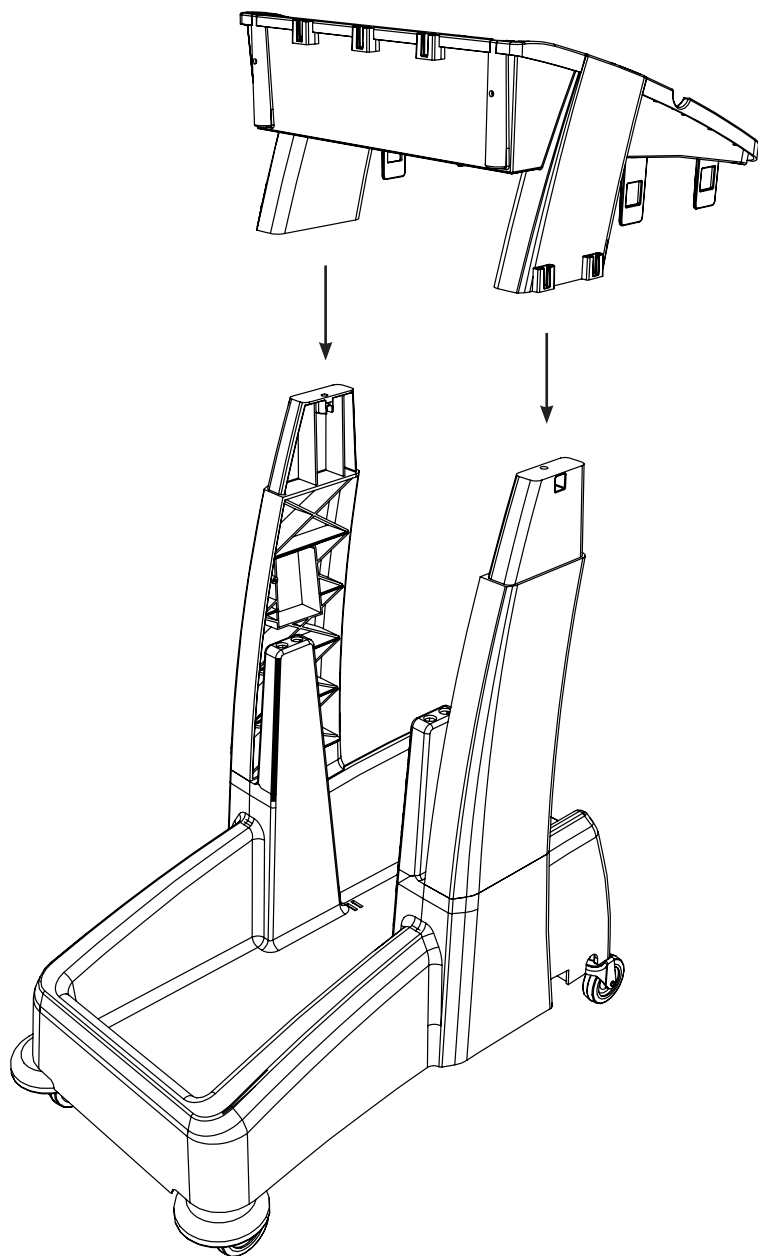
x2

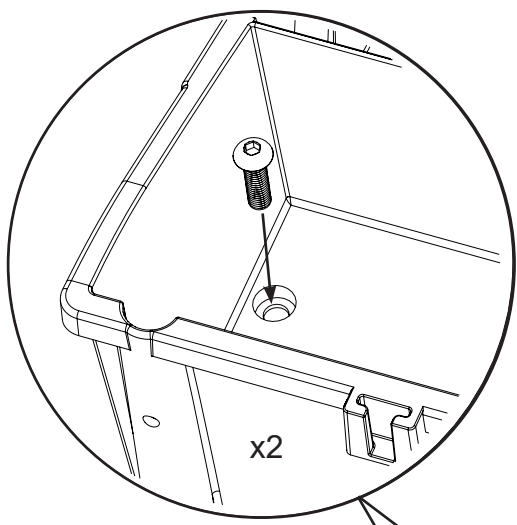


x2









M8 X 25mm Socket Bolt

