

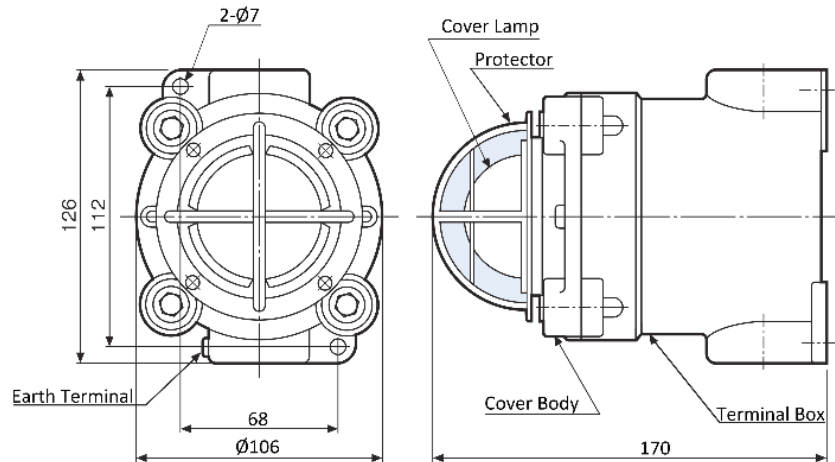
**HOCHIKI**

**TPLD-R**

Explosion proof indication lamp



### Dimension (mm)



### Specification

Type	Indication Lamp
Model	TPLD-R
Structure Explosion Proof Grade	Explosion Proof Type d2G5
Operating Voltage	5W @24V
Material Cover (Lamp) Protector Terminal Box Cover Body	Hard Glass (RED) SWP ADC12 AC7A-F
Color	Munsell 7.5BG5/2 (Protector: White)
Weight	Approx. 1.9kg
Country of Origin	Japan
Approval	TIIS No. 68775

HOCHIKI ASIA PACIFIC PTE. LTD.

82 Ubi Ave 4 #06-02  
Edward Boustead Centre, Singapore 408832  
TEL: 65-6841-9728 | FAX: 65-6841-9781  
URL : [www.hochikiasiapacific.com](http://www.hochikiasiapacific.com)

HEAD OFFICE

10-43 Kamiosaki 2-Chome.  
Shinagawa-Ku, Tokyo 141-8660 Japan  
TEL: 81-(3)-3444-4116 | FAX: 81-(3)-3444-4167  
URL : [www.hochiki.co.jp](http://www.hochiki.co.jp)