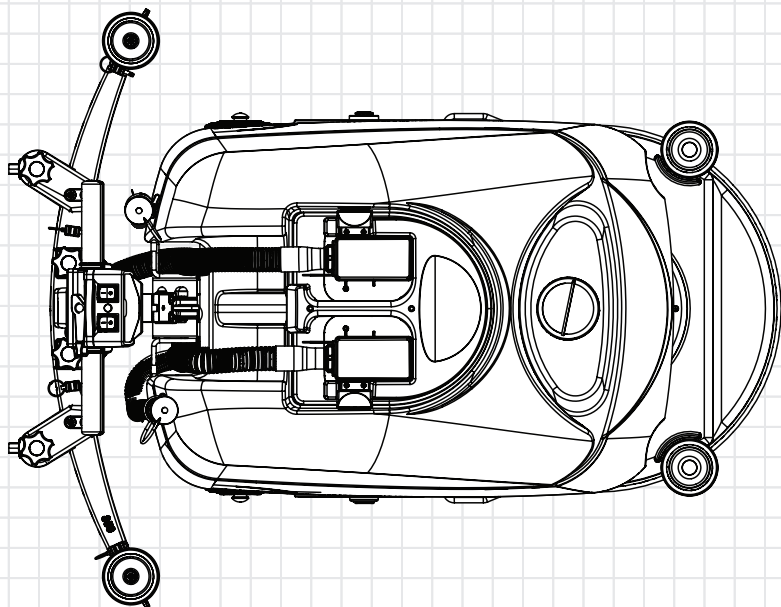
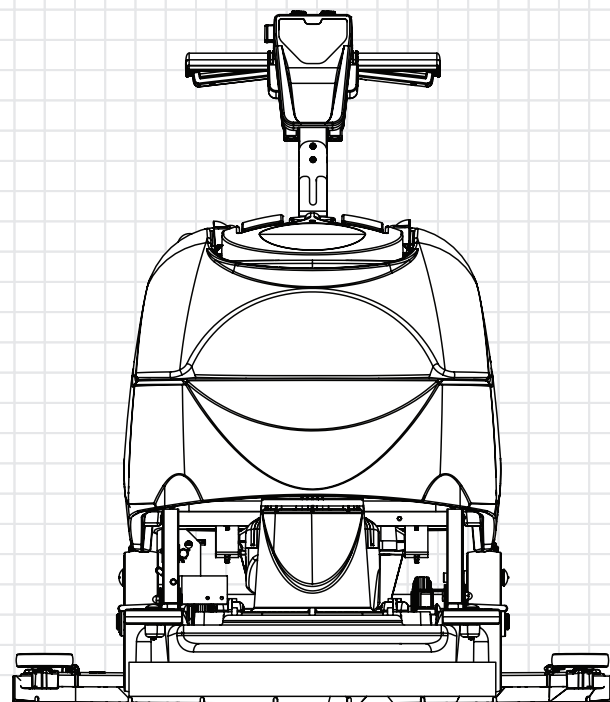
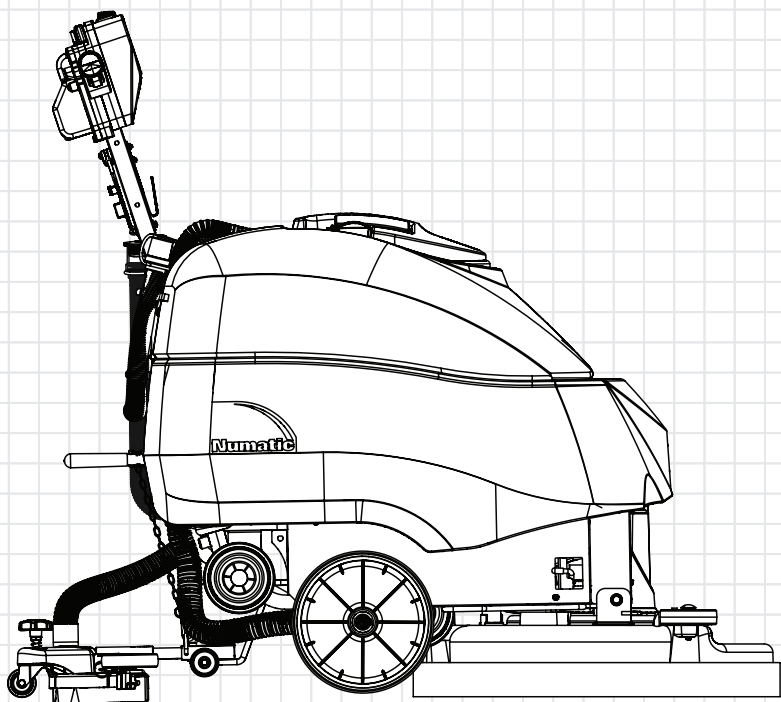


TT6650G



Service Engineer Exploded Drawings



DISCLAIMER:

These drawings are for part order reference only and intended for service engineers use.

The installation of Genuine Numatic spare parts should only be executed by Certified Numatic service engineers who specialised and familiar with all relevant safety regulations.

Numatic International Ltd do not accept responsibility or liability for any loss or damage to property or person if repairs or servicing of products are carried out by non-certified persons.

Specifications and parts are subject to change without notice.

HAFTUNGSAUSSCHLUSS:**DE**

Diese Zeichnungen dienen nur als Referenz für Teilebestellungen und sind nur für den Gebrauch durch Servicetechniker bestimmt.

Die Montage von originalen Numatic-Ersatzteilen darf nur von zertifizierten Numatic-Servicetechnikern ausgeführt werden, die mit allen relevanten Sicherheitsvorschriften vertraut sind.

Numatic International Ltd übernimmt keine Verantwortung oder Haftung für Verluste oder Schäden an Eigentum oder Personen, wenn Reparaturen oder Wartungsarbeiten an Produkten von nicht zertifizierten Personen durchgeführt werden.

Technische Daten und Teile können ohne vorherige Ankündigung geändert werden.

CLAUDE DE NON-RESPONSABILITÉ:**FR**

Ces schémas sont fournis à titre de référence de commande de pièces uniquement et sont destinés aux techniciens de maintenance.

L'installation de pièces de rechange Numatic d'origine doit être effectuée uniquement par des techniciens de maintenance Numatic certifiés spécialisés et familiarisés avec toutes les règles de sécurité applicables.

Numatic International Ltd décline toute responsabilité en cas de perte ou de dommage matériel ou personnel si des réparations ou l'entretien des produits sont effectués par des personnes non certifiées.

Les spécifications et les pièces sont susceptibles d'être modifiées sans préavis.

DISCLAIMER:**NL**

Deze tekeningen zijn uitsluitend bedoeld als referentie voor het bestellen van onderdelen en voor gebruik door servicemonteurs.

De installatie van originele reserveonderdelen van Numatic mag alleen worden uitgevoerd door gecertificeerde servicemonteurs van Numatic die gespecialiseerd zijn en bekend zijn met alle relevante veiligheidsvoorschriften.

Numatic International Ltd aanvaardt geen verantwoordelijkheid of aansprakelijkheid voor verlies of schade aan eigendommen of personen als reparaties of onderhoud aan producten worden uitgevoerd door niet-gecertificeerde personen.

Specificaties en onderdelen kunnen zonder voorafgaande kennisgeving worden gewijzigd.

RENÚNCIA DE RESPONSABILIDADE:**PT**

Estes desenhos servem apenas como referência para a encomenda de peças e destinam-se a ser utilizados pelos técnicos de assistência.

A instalação de peças sobresselentes genuínas da Numatic só deve ser efetuada por técnicos de assistência certificados da Numatic que se especializem e familiarizem com todos os regulamentos de segurança relevantes.

A Numatic International Ltd não aceita qualquer responsabilidade por perdas ou danos materiais ou pessoais se as reparações ou a manutenção dos produtos forem efetuadas por pessoas não certificadas.

As especificações e as peças estão sujeitas a alterações sem aviso prévio.

ESCLUSIONE DI RESPONSABILITÀ:**IT**

Questi disegni sono forniti solo come riferimento per l'ordine dei componenti e sono destinati all'uso da parte dei tecnici dell'assistenza.

L'installazione di ricambi originali Numatic deve essere eseguita esclusivamente da tecnici dell'assistenza certificati Numatic specializzati e a conoscenza di tutte le norme di sicurezza pertinenti.

Numatic International Ltd non si assume alcuna responsabilità per eventuali perdite o danni alla proprietà o alle persone se le riparazioni o la manutenzione dei prodotti vengono eseguite da persone non certificate.

Le specifiche e le parti sono soggette a modifiche senza preavviso.

EXENCIÓN DE RESPONSABILIDAD:**ES**

Estos esquemas solo se muestran como referencia para pedir piezas y para su uso por parte de ingenieros de mantenimiento.

La instalación de recambios originales de Numatic solo deben realizarla los ingenieros de mantenimiento homologados de Numatic que estén especializados y familiarizados con las normativas de seguridad pertinentes.

Numatic International Ltd no acepta la responsabilidad de cualquier pérdida o daño a la propiedad o a las personas si las reparaciones o el mantenimiento de los productos se llevan a cabo por personas sin certificación.

Las especificaciones y piezas están sujetas a cambios sin previo aviso.

ZASTRZEŻENIE:**PL**

Rysunki te służą wyłącznie do celów referencyjnych podczas zamawiania części i są przeznaczone do użytku przez inżynierów serwisowych.

Montaż oryginalnych części zamiennych Numatic powinien być wykonywany wyłącznie przez certyfikowanych serwisantów firmy Numatic, którzy posiadają odpowiednie kwalifikacje i znają wszystkie odpowiednie przepisy bezpieczeństwa.

Firma Numatic International Ltd nie ponosi odpowiedzialności za jakiegokolwiek straty lub szkody majątkowe i osobiste, jeśli naprawy lub serwisowanie produktów są przeprowadzane przez osoby nieposiadające certyfikatu.

Dane techniczne i części mogą zostać zmienione bez powiadomienia.

FRISKRIVNINGSKLAUSUL:**SV**

Dessa ritningar är endast avsedda för referens vid beställning av reservdelar och är avsedda för servicetekniker.

Installation av originalreservdelar från Numatic får endast utföras av certifierade Numatic-servicetekniker som specialiserar sig på och känner till alla relevanta säkerhetsföreskrifter.

Numatic International Ltd påtar sig inget ansvar för förlust eller skada på egendom eller person om reparationer eller service av produkter utförs av icke-certifierade personer.

Specifikationerna och produktens delar kan ändras utan föregående meddelande.

VASTUUVAPAUCLAUSEKE:**FI**

Nämä piirrokset on tarkoitettu ainoastaan osien tilaamisen avuksi ja ainoastaan huoltoinsinöörien käyttöön. Aitoja Numatic-varaosia saavat asentaa vain sertifioidut Numatic-huoltoinsinöörit, jotka ovat perehtyneet kaikkiin asiaankuuluviin turvamääräyksiin.

Numatic International Ltd ei ole vastuussa mistään omaisuus- tai henkilövahingoista, jos sertifioidut henkilöt ovat korjanneet tai huoltaneet tuotteita.

Teknisiä ominaisuuksia ja osia voidaan muuttaa ilman erillistä ilmoitusta.

ANSVARFRASKRIVELSE:**DA**

Disse tegninger er kun til reference for reservedelsordrer og er beregnet til serviceteknikere.

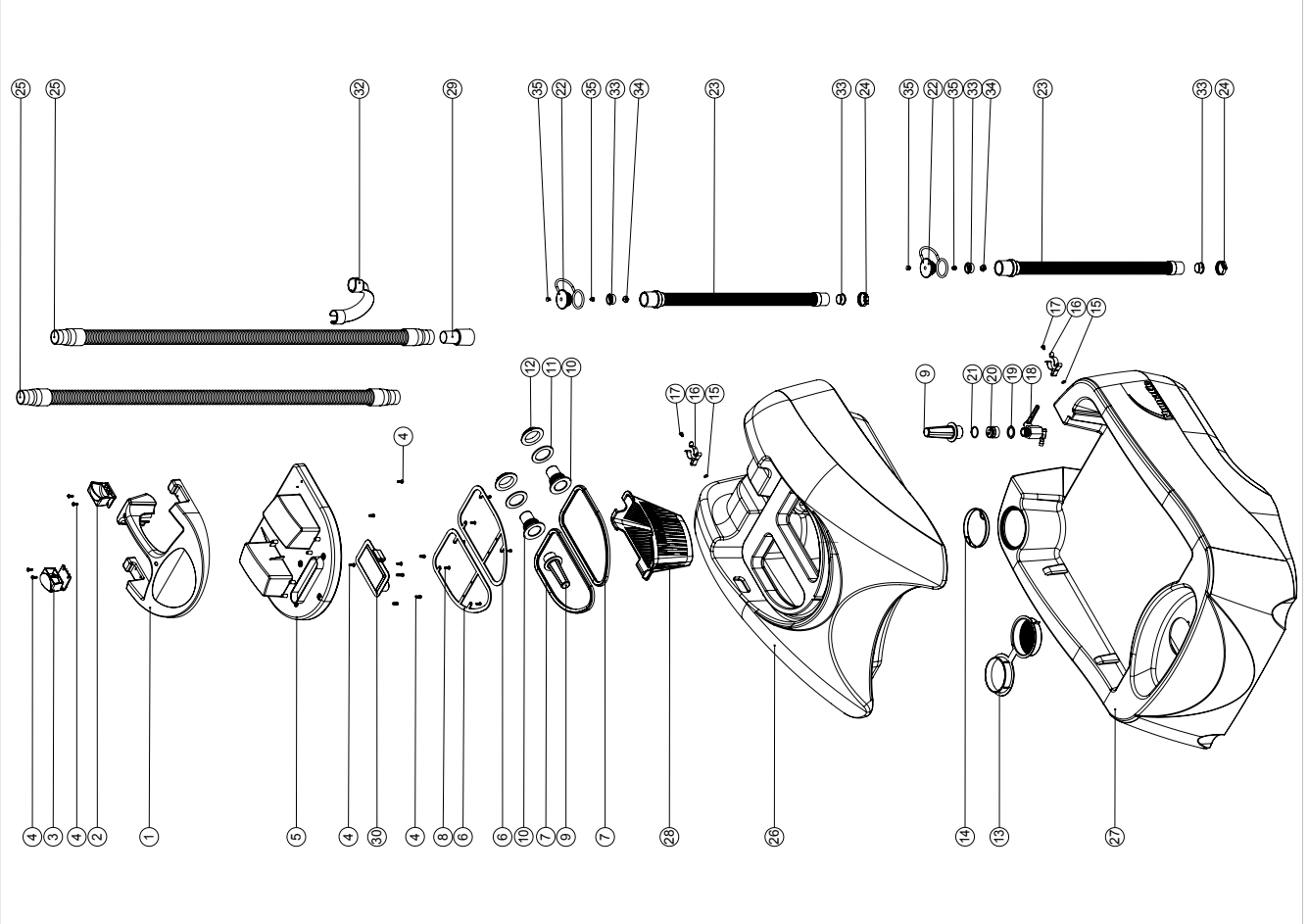
Montering af originale Numatic-reservedele må kun udføres af certificerede Numatic-serviceteknikere, der er specialiseret i og har kendskab til alle relevante sikkerhedsbestemmelser.

Numatic International Ltd påtager sig intet ansvar for tab eller skade på ejendom eller person, hvis reparationer eller service på produkter foretages af ikke-certificerede personer.

Specifikationer og dele kan ændres uden varsel.

Numatic International Spare Parts
Model No: TT-6650/TTB-6652/TTB-6652ST Tank/Separator Assy

234337
 DRAWING: EXP-0768 ISS-A04
 11/05/2010

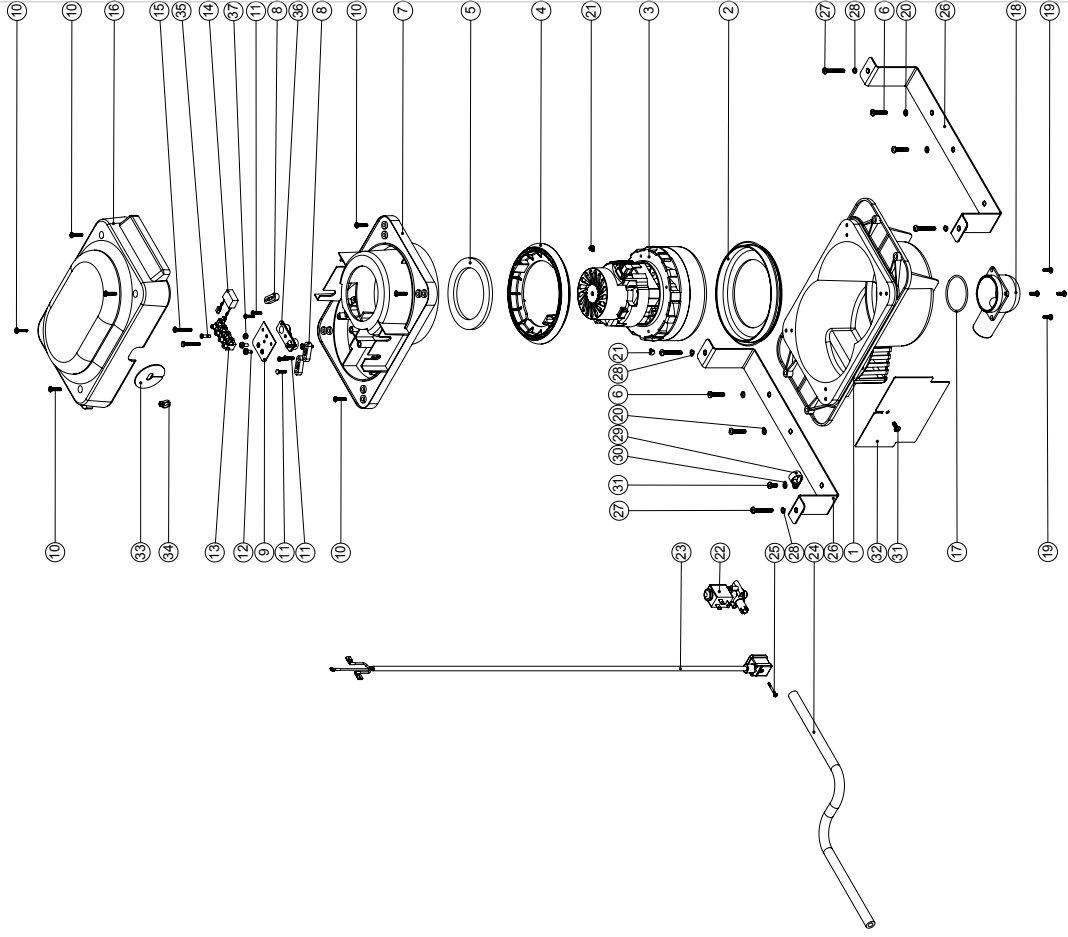


ITEM:	PART No:	DESCRIPTION	COMMENTS	QTY.
1	229493	SEPARATOR TOP		1
2	902919	CLIP MOULDING (RED)	GREY VERSION 229494	1
3	229494	CLIP MOULDING		1
4	219569	NO8.1/2 INCH. LG. POZIPAN SCREW, STAINLESS STEEL, PLASTITE		11
5	303604	PROCESSED SEPARATOR MOULDING (S TYPE)		1
6	329408	GASKET SUPPORT RING		2
7	202110	SEALING GASKET		2
8	219852	NO8 X 1/2 LONG POZI PAN STAINLESS STEEL SELF TAP SCREW		6
9	206285	TT/B 345 BARREL FILTER		2
10	206228	DRAIN HOSE CONNECTOR		2
11	219310	RUBBER WASHER		2
12	206116	BLACK NUT		2
13	904053	FILTER CAP (RED)	GREY VERSION 229282	1
14	219452	100MM DIAMETER HOLE PLUG		1
15	219688	M4 FORM A STAINLESS STEEL WASHER		2
16	219665	TOOL CLIP		2
17	219697	M4 X 8MM LONG POZI PAN STAINLESS STEEL SCREW		2
18	206597	TANK TAP		1
19	202067	SEALING GASKET		1
20	206274	FILTER CONNECTOR		1
21	219626	23MM I/D X 2.5MM SECTION O RING		1
22	903341	32MM HOSE CAP RED (C/W 8MM HOLE)		2
23	213025	DUMP HOSE		2
24	219674	30/40MM DIAMETER STAINLESS STEEL JUBILEE CLIP		2
25	206686	1200MM LONG SUCTION HOSE	MAINS MACHINES	2
26	206698	1500MM LONG HOSE ASSEMBLY	BATTERY MACHINES	2
27	904463	TT/TTB 6650/6652 TOP TANK MOULDING (MAINS & BATTERY MACHINES) (GRAPHITE)	BLUE VERSION 229566	1
28	904465	TT/TTB 6650/6652 BOTTOM TANK MOULDING (MAINS MACHINES) (GRAPHITE)	BLUE VERSION 229567	1
29	229568	TTB 6652 BOTTOM TANK MOULDING (BLUE)	BATTERY MACHINES	1
30	906070	MESHLESS FILTER BASKET		1
31	237220	38/32MM ADAPTOR		1
32	237090	SEPARATOR FLOAT MOULDING (MK 2)		1
33	219568	NO8.3/4 INCH LG. POZI-PAN SCREW, STAINLESS STEEL, PLASTITE		1
34	206512	HOSE HOOK	BATTERY MACHINES	1
35	904108	FLOAT STOP MOULDING		4
36	904109	FLOAT MOULDING		2
37	904403	BARBED RIVET BLACK		4

Numatic International Spare Parts

Model No: TT-6650 VAC POD ASSEMBLY EXPLODED DRAWING (EXP-0769) ISSA 10

NB: FOR WIRING SEE DRAWING: WD-0772



Numatic International Spare Parts

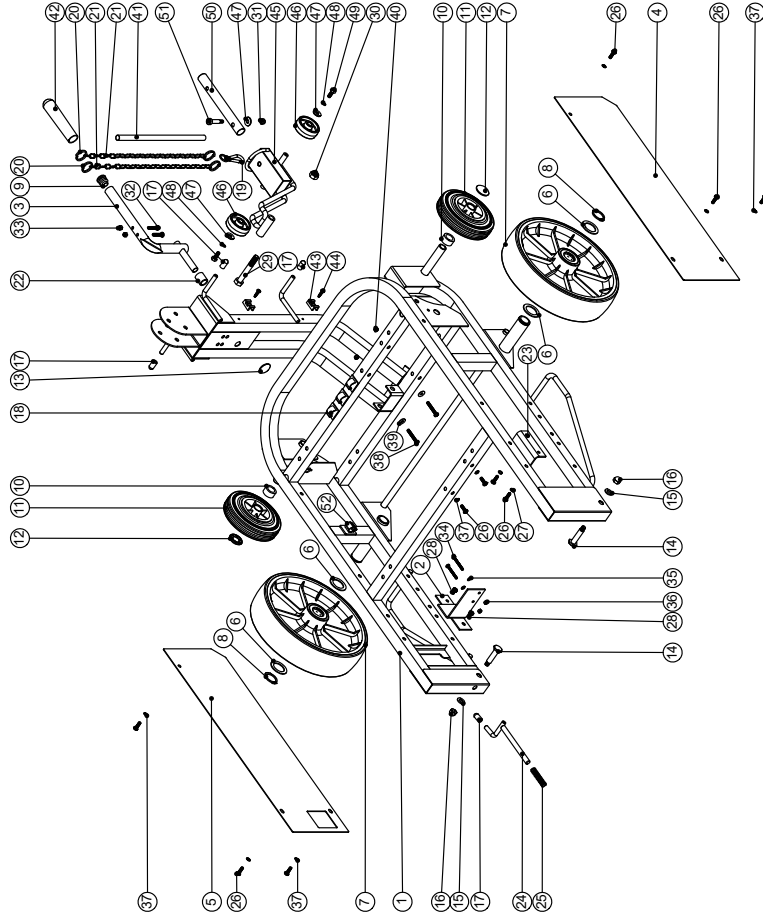
Model No: TT-6650 VAC POD ASSEMBLY EXPLODED DRAWING (EXP-0769)

POS.	ITEM NO.	DESCRIPTION	QTY.	COMMENTS
1	303905	BOTTOM MOTOR HOUSING (PROCESSED / FLAME RETARDENT)	1	STANDARD MACHINES
2	227231	BOTTOM MOTOR HOUSING	1	120V CSA MACHINES
3	202111	BOTTOM MOTOR GASKET	1	
4	205443	230V 2 STAGE D.I. BYPASS ACUSTEK MOTOR (BL21 104T) (MARKED 230V) TCO	1	
5	205409	120V 2 STAGE D.I. BYPASS ACUSTEK MOTOR (BL21 101)TTCO	1	
6	909004	(120V) MOTOR (TT6650 NACE)	1	V42 MACHINES
7	202107	TOP MOTOR GASKET	1	
8	202078	MOTOR CAP GASKET	1	
9	219575	M5 X 25MM LONG POZI PAN STAINLESS STEEL SCREW	4	
10	225998	VAC POD TOP MOTOR HOUSING C/W TAPPEX	1	STANDARD MACHINES
11	229993	VAC POD TOP MOTOR HOUSING C/W TPEX	1	120V CSA MACHINES
12	227008	BLACK CABLE CLAMP	3	
13	303291	TERMINAL BLOCK FIXING BRACKET	1	
14	219548	NO.8.3/4 INCH LG. POZI PAN SCREW STAINLESS STEEL PLASTITE	8	
15	219107	NO.6.5/8 INCH LG. POZI PAN SCREW Z/PL PLASTITE	6	
16	291151	M4 X 10MM LONG T20 SEMS SCREW Z/PL - PRODUCT CODE 8.8 - TX20 HEAD	2	
17	907870	WECO 4X2 TERMINAL BLOCK (REF: 424-CL-DS)	1	
18	321068	SUPPRESSOR ASSEMBLY	1	
19	219321	M4 X 30MM LONG POZI PAN SCREW	2	
20	229206	VAC POD TOP COVER MouldING	1	
21	227233	VAC POD TOP COVER MouldING	1	120V CSA MACHINES
22	219561	51.6MM I/D O RING	1	
23	229207	INLET TUBE	1	
24	219569	NO.8 X 1/2 INCH LONG POZI PAN STAINLESS STEEL PLASTITE SCREW	4	
25	219003	M5 FORM A STEEL WASHER	4	
26	219566	M4 X 6MM LONG POZI PAN SCREW	2	
27	220348	SOLENOID VALVE 240V 50/60HZ	1	
28	220349	SOLENOID VALVE 220 V 50/60HZ	1	
29	220350	SOLENOID VALVE 110V 50HZ	1	
30	220425	SOLENOID VALVE 110/120V 50/60HZ	1	
31	320533	SOLENOID VALVE LEAD ASSEMBLY (MOULDED PLUG)	1	STANDARD MACHINES
32	320534	SOLENOID VALVE LEAD ASSEMBLY (C/W MPM CONNECTOR)	1	120V CSA MACHINES
33	229168	SILICON TUBE 8MM I/D X 3.2MM WALL SECTION	1	
34	219694	M3 X 25MM LONG MPM CONNECTOR SCREW	1	
35	303638	NUTSERIED VAC POD BRACKET	2	
36	219661	M5 X 35MM LONG POZI PAN STAINLESS STEEL SCREW	4	
37	219861	M5 SINGLE COIL STAINLESS STEEL WASHER	4	
38	219514	P-CLIP	1	
39	219355	M5 FORM A STAINLESS STEEL WASHER	1	
40	219740	M5 X 12MM LONG STAINLESS STEEL POZI PAN SCREW	2	
41	392009	DIVERTER PLATE	1	
42	392010	DIVERTER DISC	1	
43	220007	BLACK CABLE TIE	1	
44	219407	M4 X 16MM LONG POZI PAN COUNTERSUNK SCREW	1	
45	N/A	TERMINAL BLOCK ADAPTOR	1	
46	219205	M4 STIFFNUT	1	

Numatic International Spare Parts
Model No: TT-665 / TT-6650 CHASSIS ASSEMBLY EXPLODED DRAWING (EXP-0394)

231907
 Internal Code: DRAWING: EXP-0394 ISS:A09
 PRO 11/09/2023

NB: FOR WIRING SEE DRAWING: WD-0777



Numatic International Spare Parts

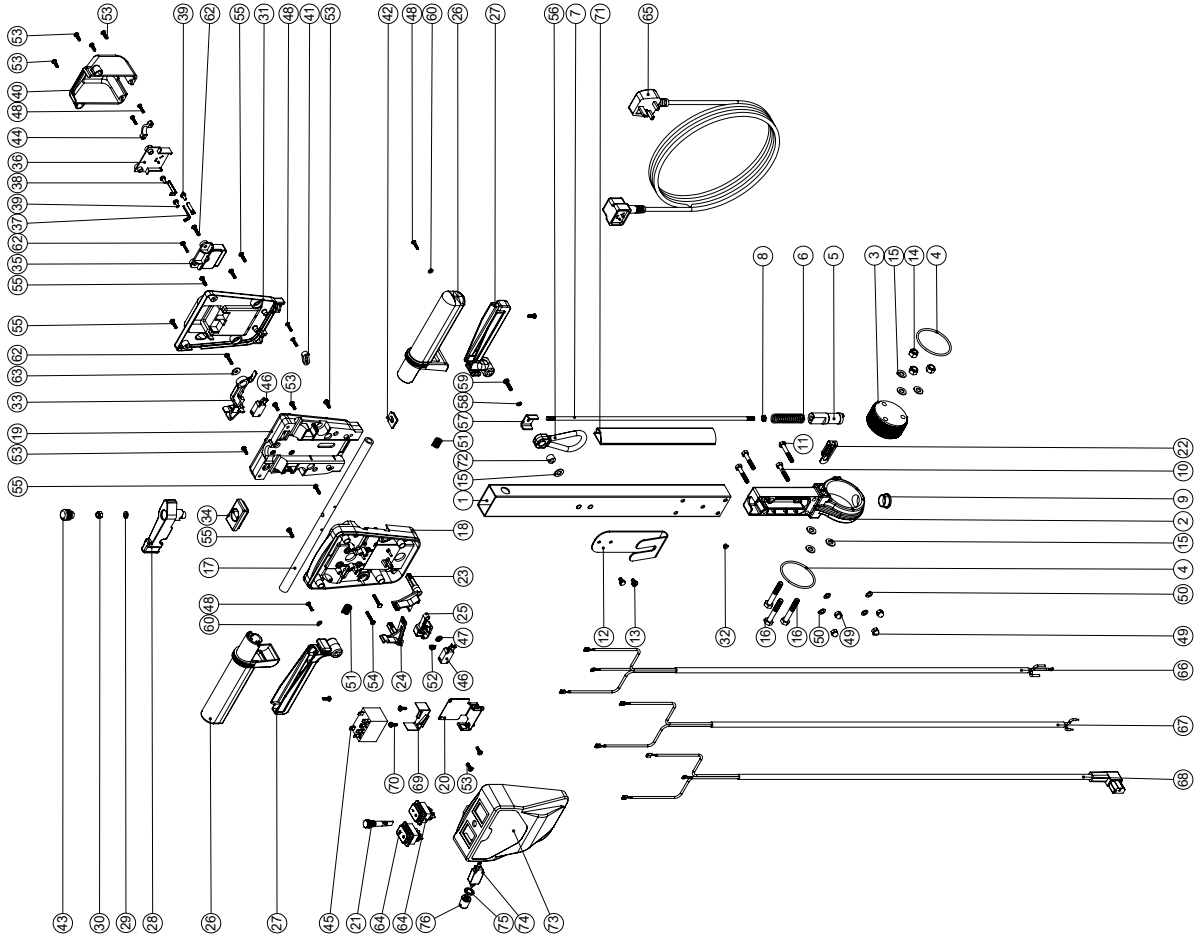
Model No: TT-665 / TT-6650 CHASSIS ASSEMBLY EXPLODED DRAWING (EXP-0394)

ITEM:	PART No.	DESCRIPTION	COMMENTS	QTY.
1	329996	NUTSERTED CHASSIS ASSEMBLY		1
2	329646	SOLENOID VALVE WELDED ASSEMBLY		1
3	329675	HANDLE WELDED ASSEMBLY		1
4	429091	LEFTHAND SIDE PLATE (PAINTED SILVER)	TT-6650 MACHINE	1
	429032	LEFTHAND SIDE PLATE (PAINTED GREY)	TT-665 MACHINE	1
5	429092	RIGHTHAND SIDE PLATE (PAINTED SILVER)	TT-6650 MACHINE	1
	429033	RIGHTHAND SIDE PLATE (PAINTED GREY)	TT-665 MACHINE	1
6	303617	25.5MM I/D X 37.0MM O/D WASHER		4
7	204079	250MM DIAMETER WHEEL WITH GREY POLYURETHENE TYRE		2
8	219779	25MM HEAVY DUTY EXTERNAL CIRCLIP		2
9	20638V	19MM BLACK TUBE END STOP		1
10	219545	WHITE SPACER		2
11	229060	WHEEL GREY BLACK HUB		2
12	229266	16.0MM CAP		2
13	204021	12.7MM STAINLESS STEEL HUB CAP		2
14	206236	PIVOT PIN		1
15	219010	M8 FORM A WASHER		2
16	219077	M8 DOMENUT		2
17	229240	END TIP		4
18	229403	CABLE CLIP		3
19	229292	50MM SWIVEL HOOK		1
20	229293	1 INCH (STAINLESS STEEL) SPLIT RING		4
21	229289	1/2 INCH X 16G CHAIN (STAINLESS STEEL) WELDED OVAL LINK		2
22	229288	NYLON SPACER		1
23	329647	PLUNGER PLATE		1
24	303483	LOCKING BAR WELDED ASSEMBLY		1
25	219797	COMPRESSION SPRING		1
26	219547	M5 X 16MM LONG POZI PAN STAINLESS STEEL SCREW		10
27	219648	M5 SINGLE COIL WASHER		2
28	219047	M5 X 10MM LONG POZI PAN SEMS SCREW		2
29	219570	M10 X 70MM LONG HEX BOLT		1
30	219649	M10 NYLON INSERT NUT		1
31	219642	M6 STAINLESS STEEL NYLON INSERT HALF NUT		1
32	219575	M5 X 25MM LONG POZI PAN STAINLESS STEEL SCREW		2
33	219076	M5 NYLON INSERT NUT		2
34	219703	M4 X 35MM LONG STAINLESS STEEL POZI PAN SCREW		2
35	219206	M4 FORM A WASHER		2
36	219205	M4 STIFFNUT		2
37	219016	M5 SHAKEPROOF WASHER		8
38	220033	M5 X 35MM LONG POZI PAN SCREW		2
39	219644	M5 FORM G STAINLESS STEEL WASHER		2
40	219633	M5 STAINLESS STEEL NYLON INSERT NUT		2
41	219660	10MM I/D X 0.5MM X 250MM WALL BLACK PVC SLEEVING		1
42	904467	3/4 INCH HAND GRIP (RED)	GREY VERSION 229344	1
43	220904	CABLE CLIP PLATFORM		2
44	219036	Nø8 X 5/8 INCH LONG POZI PAN SELF TAPPING SCREW		2
45	303874	ALUMINIUM FLOOR TOOL CONNECTOR WELDED ASSEMBLY		1
46	206712	50MM DIAMETER BLACK WHEEL		2
47	219647	M6 FORM G STAINLESS STEEL WASHER		3
48	219718	WASHER/M6 SPRING STAINLESS STEEL		2
49	219719	M6 X 16MM LONG HEXAGONAL STAINLESS STEEL HEAD BOLT		2
50	303854	FLOOR TOOL PIVOT TUBE		1
51	219673	M8 X 25MM LONG SOCKET SHOULDER SCREW		1
52	220660	INFAST CABLE CLIP		1

Numatic International Spare Parts
TT-6650 HANDLE ASSEMBLY (EXP-0767)

234336
 Internal Code:
 DRAWING: EXP-0767 ISS:A11
 01/03/2022

NB: FOR WIRING SEE DRAWING: WD-07??



Numatic International Spare Parts

Model No: TT-6650 HANDLE ASSEMBLY EXPLODED DRAWING (EXP-0767)

ITEM / PART NO.	DESCRIPTION	COMMENTS	QTY.
1	430MM PAINTED PROCESSED ALUMINIUM HANDLE		1
2	229081 HANDLE CASTING MACHINED		1
3	229074 ADJUSTMENT GEAR		2
4	219254 O RING 3MM DIA X 90MM I/D		1
5	229073 GEAR LOCKING PIN		1
6	229072 SPRING		1
7	229071 24MM HANDLE LOCKING ROD		1
8	219069 M6 HALF NUT		1
9	229069 25MM DIA HOLE PLUG		1
10	219064 M6 X 35MM LONG HEX BOLT		3
11	219657 M6 X 40MM LONG HEX BOLT		1
12	329460 SEPARATOR HANGING BRACKET		1
13	219047 M5 X 10MM LONG POZI PAN SEMS SCREW		2
14	219048 M5 X 10MM LONG POZI PAN SEMS SCREW		2
15	219010 M8 FORM A WASHER		7
16	219091 M8 X 50MM LONG HEX BOLT		3
17	338269 CROSS TUBE		1
18	227576 FRONT INNER HALF MOULDING	FLAME RETARDANT CSA MACHINES	1
19	229508 REAR INNER HALF MOULDING (FR)	FLAME RETARDANT CSA MACHINES	1
20	303526 NUT SERATED RELAY MOULDING BRACKET		1
21	220812 230V NEON INDICATOR & RED LENS		1
22	220813 120V NEON INDICATOR & RED LENS		1
23	228139 P-CLIP		1
24	227585 LEFT HAND SWITCH OPERATING LEVER MOULDING		1
25	227586 RIGHT HAND SWITCH OPERATING LEVER MOULDING		1
26	227587 CENTRE SWITCH OPERATING LEVER MOULDING		1
27	603547 TRIGGER MOULDING (RED)	BLUE VERSION 229500 GREY VERSION 227583	2
28	603545 ADJUSTMENT LEVER MOULDING (RED)		2
29	219493 M6 NYLON WASHER		1
30	219088 M6 NYLON INSERT NUT		1
31	227676 MAINS TYPE FLAME RETARDANT REAR COVER MOULDING	FLAME RETARDANT CSA MACHINES	1
32	229507 REAR COVER		1
33	227584 INTERNAL LOCK LEVER MOULDING		1
34	603546 HANDLE PLUG MOULDING (RED)	GREY VERSION 227582	1
35	227691 TERMINAL BLOCK		1
36	227680 TERMINAL BLOCK COVER	FLAME RETARDANT CSA MACHINES	1
37	229511 TERMINAL BLOCK COVER	FLAME RETARDANT CSA MACHINES	1
38	206562 CONTACT PIN		2
39	291151 M4 X 10MM LONG T20 SEMS SCREW Z/PL - PRODUCT CODE 8 8 - TX20-HEAD		3
40	227678 SOCKET COVER		1
41	229512 SOCKET COVER	FLAME RETARDANT CSA MACHINES	1
42	227008 BLACK CABLE CLAMP	FLAME RETARDANT CSA MACHINES	1
43	227668 BLANKING PLUG		1
44	206389 19MM BLACK TUBE END STOP		1
45	216290 CABLE CLAMP		1
46	206575 240V / 25A RELAY		1
47	206576 120V / 25A RELAY		1
48	229483 SNAP ACTION SWITCH		2
49	219605 40MM BRITISH G POZI PAN SCREW Z/PL PLASTITE		6
50	219606 40MM BRITISH G POZI PAN SCREW Z/PL PLASTITE		4
51	219007 M6 FORM B WASHER		2
52	219803 TRIGGER COMPRESSION SPRING		1
53	219804 SWITCH COMPRESSION SPRING		1
54	219569 Nø8 X 1/2 INCH LONG POZI PAN STAINLESS STEEL PLASTITE SCREW		10
55	219811 Nø8 X 1 INCH LONG POZI PAN SELF TAP SCREW		2
56	219105 Nø8 X 5/8 INCH LONG POZI PAN PLASTITE SCREW		6
57	329231 STRESS RELIEF BRACKET		1
58	219016 M5 SHAKEPROOF WASHER		1
59	219054 M5 X 20MM LONG POZI PAN SCREW		3
60	219206 M4 FORM A WASHER		2
61	219668 Nø8 X 1/2 INCH LONG POZI PAN SCREW STAINLESS STEEL PLASTITE		3
62	219668 Nø8 X 3/4 INCH LONG POZI PAN SCREW STAINLESS STEEL PLASTITE		3
63	219005 M5 FORM G WASHER		1
64	904042 SWITCH DPST RED ILLUMINATED WITH MEMBRANE 120/240V	GREEN ILLUMINATED SWITCH 270146	2
65	236012 20.0M X 1.50MM X 3 CORE YELLOCABLE (UK PLUG)		1
66	236132 20.0M X 1.50MM X 3 CORE YELLOCABLE (EURO PLUG)		1
67	236020 20.0M X 1.50MM X 3 CORE NICABLE (SWISS PLUG)		1
68	236032 20.0M X 1.50MM X 3 CORE NICABLE (AUSTRALIAN PLUG)		1
69	236032 20.0M X 1.50MM X 3 CORE NICABLE (AUSTRALIAN PLUG)		1
70	236028 20.0M X 14AWG X 3 CORE YELLOW NICABLE (CSA PLUG)		1
71	320737 MK2 VAC MOTOR LEAD ASSEMBLY		1
72	321163 EURO SOLENOID VALVE LEAD ASSEMBLY		1
73	320735 MK2 MOTOR LEAD ASSEMBLY		1
74	219601 M4 X 12MM LONG POZI PAN SEMS SCREW		2
75	391074 230MM LONG CUT SELF ADHESIVE CABLE DUCTING		1
76	226006 SPACER (BLACK)		1
77	229748 FRONT COVER MOULDING (MAINS & BATTERY)	230V/50-60HZ MACHINES 110V/50HZ MACHINES	1
78	229750 FRONT COVER MOULDING (MAINS + C B HOLE)	120V/60HZ MACHINES	1
79	229751 FRONT COVER MOULDING (MAINS + C B HOLE)	120V/60HZ MACHINES	1
80	220440 3 AMP OVERLOAD	110V & 120V MACHINES	1
81	219702 M10 INTERNAL LOCK WASHER		1
82	220459 OVERLOAD DUST COVER		1

Numatic International Spare Parts

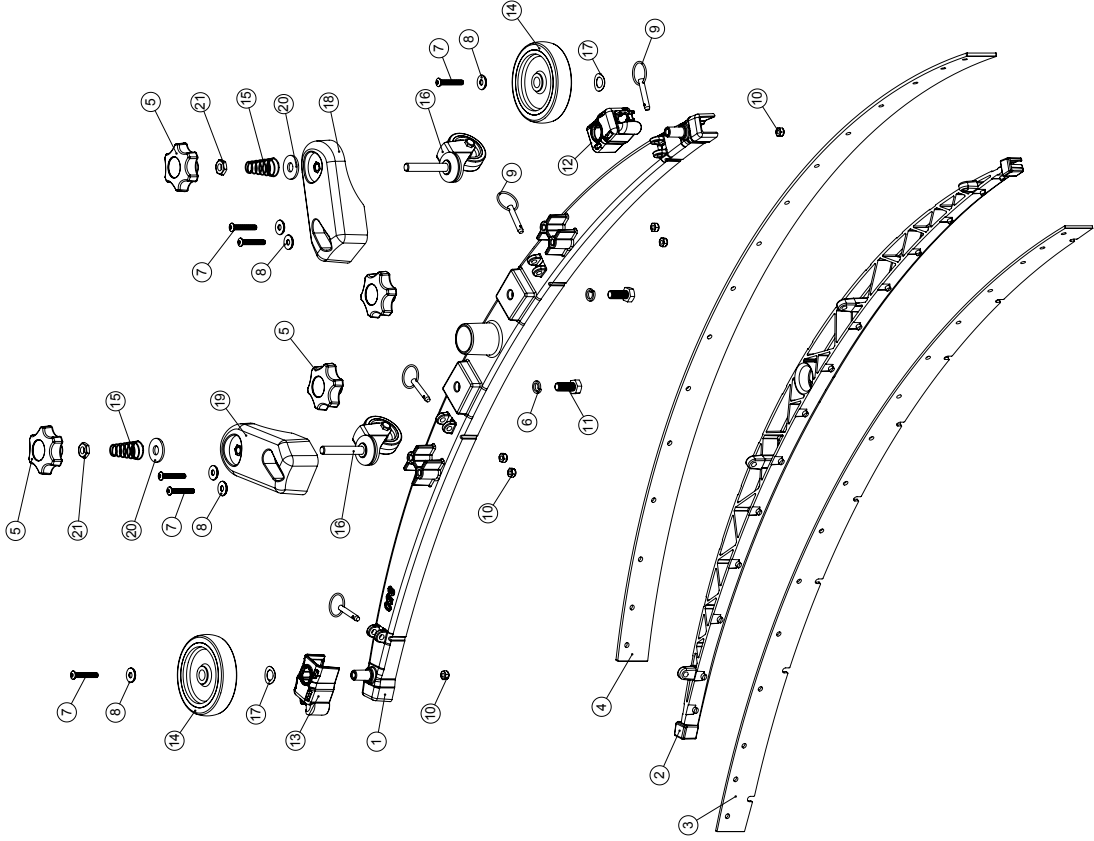
Model No: 850 TWINTEC ALUMINIUM FLOOR TOOL (38MM HOSE)

599443 900481 900481 900481
 DRAWING: DRW-18079 ISS: A06
 27/03/2018

Internal Code:

PRO

NB: FOR WIRING SEE DRAWING: N/A



Numatic International Spare Parts

Model No: 850 TWINTEC ALUMINIUM FLOOR TOOL (38MM HOSE)

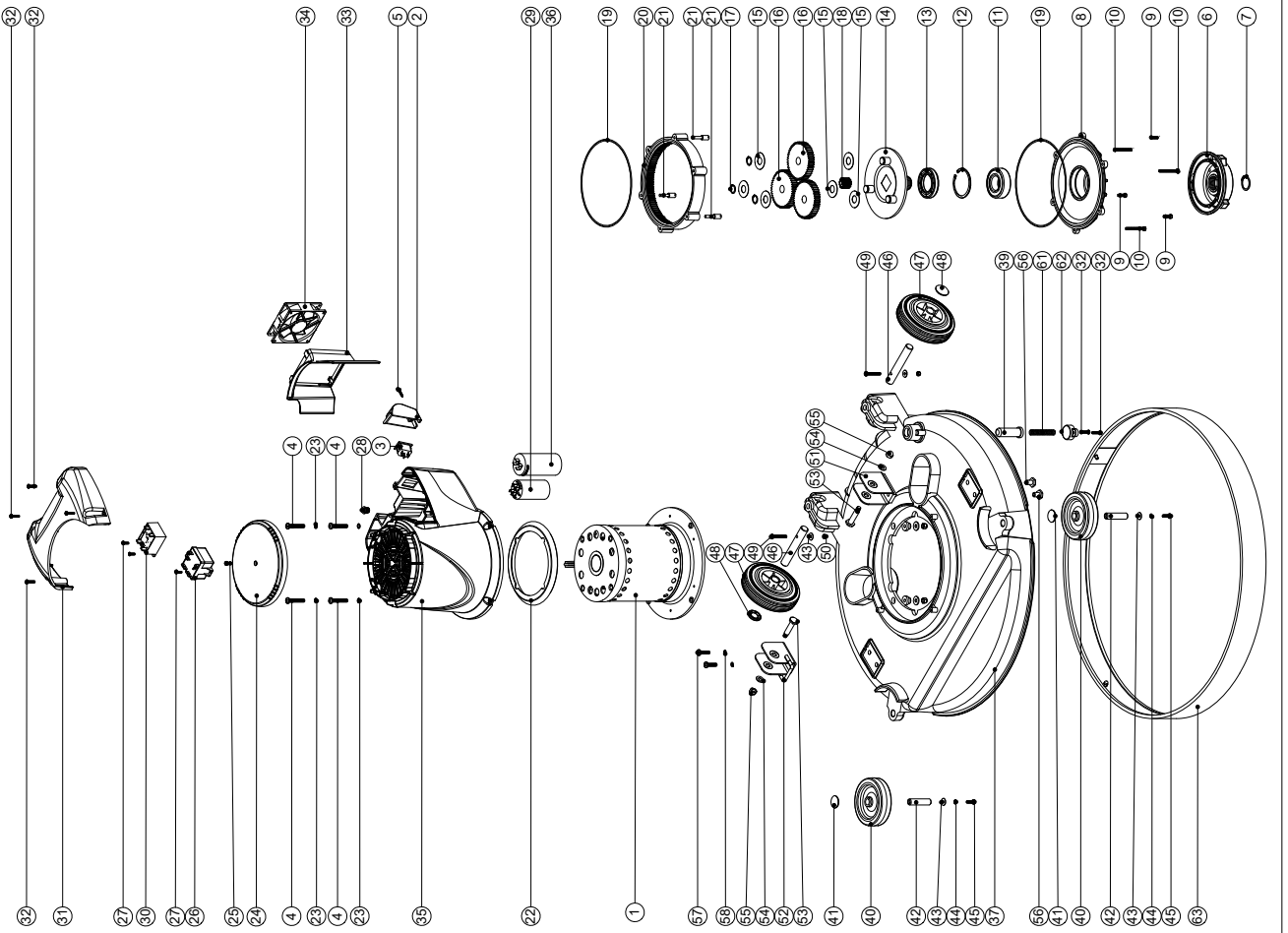
ITEM:	PART No:	DESCRIPTION	QTY.
1	208197	(850MM SCRUB WIDTH) ALUMINIUM SQUEEGEE CASTING (38MM HOSE FITTING)	1
2	228988	(850MM SCRUB WIDTH) BLADE HOLDER Moulding (SLOPING PROFILE) (32MM & 38MM HOSE FITTING)	1
3	SEE TABLE	(850MM SCRUB WIDTH) REPLACEMENT (3.2MM / 40 SHORE A) FRONT MONOLAYER SERILOR POLY/BLADE (1085MM LONG)	1
4	SEE TABLE	850MM SCRUB WIDTH REPLACEMENT REAR BLADE (1117MM LONG)	1
5	903281	M10 LOBE KNOB (RED)	4
6	219899	M10 SINGLE COIL STAINLESS STEEL WASHER	2
7	219933	M6 X 35MM SOCKET BUTTON HEAD BOLT STAINLESS STEEL	6
8	219647	M6 FORM G STAINLESS STEEL WASHER	6
9	208953	DETENT PINS	4
10	219642	M6 STAINLESS STEEL NYLON INSERT NUT	6
11	219909	M10 X 25MM LONG HEXAGONAL STAINLESS STEEL SCREW	2
12	237322	RIGHT HAND FLOOR TOOL CLIP Moulding	1
13	237323	LEFT HAND FLOOR TOOL CLIP Moulding	1
14	208796	4 INCH WHEEL	2
15	229175	CONICAL SPRING	2
16	907759	50MM DIAMETER GREY TPR TYRED SWIVEL CASTOR CW M10 X 60 SWAGED STEM.	2
17	219891	13MM WAVEY WASHER	2
18	906860	ADJUSTABLE FLOOR TOOL CASTOR PLASTIC PLATE LEFT	1
19	906859	ADJUSTABLE FLOOR TOOL CASTOR PLASTIC PLATE RIGHT	1
20	291124	M10 PENNY WASHER STAINLESS STEEL	2
21	219951	A4 (STAINLESS STEEL) M10 HEX LOCK NUT (HALF NUT)	2

BLADE	FRONT	REAR
POLYURETHANE 43 SHORE A	206949	206950
POLYURETHANE 50 SHORE A	208193	208195
LINATEX NATURAL RUBBER 40 SHORE A	208194	208196
SERILOR/CLEAN/POLYURETHANE FRONT: 40 SHORE A / REAR: 35-45 SHORE A	208969	208972

Numatic International Spare Parts
Model No: TT-6650S Base / Deck Assembly

234693
 DRAWING: DRW-4622 ISS:A03
 17/05/2010

NB: FOR WIRING SEE DRAWING: WD-0210



Numatic International Spare Parts
Model No: TT-6650S Base / Deck Assembly

POS	ITEM NO	DESCRIPTION	COMMENTS
1	205217	COMBINED INDUCTION MOTOR 4POLE 220-240V 50HZ	
2	205220	COMBINED INDUCTION MOTOR 4POLE 120V 60HZ	
3	205221	COMBINED INDUCTION MOTOR 4POLE 110V 50HZ	
4	229213	PLUG COVER	
5	220584	RENDAR CLIP IN PLUG	
6	219107	M6 X 40MM LONG POZI PAN STAINLESS STEEL SCREW	
7	230027	CHUCK	
8	230048	26MM EXTERNAL CIRCLIP	
9	290208	DIE CAST BOTTOM PLATE ASSEMBLY	
10	219904	M5 X 16MM LONG HEXAGONAL STAINLESS STEEL BOLT	
11	219706	M5 X 45MM LONG STAINLESS STEEL HEXAGONAL BOLT	
12	230094	62MM O.D X 30MM I.D X 20MM BEARING (WITH SEALS)	
13	230200	62MM INTERNAL CIRCLIP	
14	230158	VITON OIL SEAL (BROWN)	
15	230291	PLANET CARRIER & PIN ASSEMBLY (50HZ STANDARD SPEED)	
16	230215	35MM X 15 ID ALUMINUM WASHER	
17	230013	48 TOOTH SPUR GEAR (STANDARD SPEED 50/60HZ)	
18	230015	15MM EXTERNAL CIRCLIP	
19	230027	12 TOOTH PINION GEAR (STANDARD SPEED)	
20	230001	V.OIL SEAL	
21	214115	GEAR BOX MID SECTION	
22	208207	GEARBOX PASTENER WITH SLOT	
23	227556	TOP MOTOR GASKET	
24	219544	M6 SHAKEPROOF WASHER	
25	229971	CAP Moulding	
26	219471	M4 X 12MM LONG POZI PAN SEMS SCREW	
27	206823	230V SINGLE SPEED VOLTAGE RELAY	
28	206822	110V/120V VOLTAGE RELAY	220V & 230V MACHINES 110V & 120V MACHINES
29	219318	N66 X 1/2 INCH LONG POZI PAN PLASTITE SCREW	
30	219453	M8 MULTISERT	
31	208219	80UF MOTOR RUN CAPACITOR (450V)	220V & 230V MACHINES 120V MACHINES 110V MACHINES
32	208219	70UF MOTOR RUN CAPACITOR	
33	206753	UNIVERSAL POWER SUPPLY	
34	237071	GRAPHITE LID Moulding	
35	219568	N68 X 3/4 INCH LONG POZI PAN STAINLESS STEEL SCREW	
36	205072	PROCESSED 12V DC BRUSHLESS FAN	
37	328132	GRAPHITE MOTOR COWL Moulding PRINTED	
38	208265	MOTOR START CAPACITOR 100 MFD 0.5W RESISTOR & M8 STUD	220V & 230V MACHINES
39	208210	MOTOR START CAPACITOR 430-516UF PLASTIC CASE DOUBLE 6.3MM TERMINALS & STUD	110V & 120V MACHINES
40	229273	BASE Moulding GRAPHITE GREY	
41	229285	MOTOR MOUNTING SPACER	
42	229128	PLUNGER	
43	329112	100MM WHEEL	
44	204021	12.7MM STAINLESS STEEL HUB CAP	
45	229279	BUFFER WHEEL PIN	
46	219644	M5 FORM G STAINLESS STEEL WASHER	
47	219016	M5 SHAKEPROOF WASHER	
48	219547	M5 X 16MM LONG POZI PAN STAINLESS STEEL SCREW	
49	229280	REAR WHEEL PIN	
50	229060	WHEEL GREY BLACK HUB	
51	229266	16.0MM CAP	
52	220033	M5 X 35MM LONG POZI PAN SCREW	
53	219633	M5 STAINLESS STEEL NYLON INSERT NUT	
54	429036	PIVOT BRACKET WELDED ASSEMBLY	
55	429036	LOCKING PIVOT BRACKET WELDED ASSEMBLY	
56	206236	PIVOT PIN	
57	219077	M8 FORM A WASHER	
58	219606	BRACKET SPACER	
59	219056	M6 X 25MM LONG POZI PAN SCREW	
60	219549	M6 SINGLE COIL WASHER	
61	219008	M6 FORM G WASHER	
62	219088	M6 NYLON INSERT NUT	
63	219394	COMPRESSION SPRING	
64	223242	PLUNGER MOUNTING PLATE Moulding	
65	578010	TTA-91 SPLASH SKIRT ASSEMBLY	

Numatic International Limited (Head Office)

Chard, Somerset TA20 2GB, UNITED KINGDOM

Tel: 01460 68600 numatic.com

Numatic International GmbH

Fränkische Straße 15-19, 30455 Hannover, DEUTSCHLAND

Tel: +49 (0) 511 984 2160 numatic.de

Numatic International Denmark

Fränkische Straße 15-19, 30455 Hannover, DEUTSCHLAND

Tel: +45 (0) 316 40808 numatic-online.dk

Numatic International S.A.S

13/17 rue du Valengelier, EAE la Tuilerie, 77500 Chelles, FRANCE

Tel: +33 (0) 164 726 161 numatic.fr

Numatic International BV

Vennootsweg 15, 2404 CG, Alphen aan den Rijn, NEDERLAND

Tel: +31 (0) 172 467 999 numatic.nl

Numatic International Schweiz AG.

Sihlbruggstrasse 3A, 6340 Baar, SCHWEIZ

Tel: +41 (0) 41 768 0760 numatic.ch

Numatic International (PTY) Ltd.

Cnr. 16th & Pharmaceutical Road, Randjes Park, Midrand 1685, SOUTH AFRICA

Tel: +27 (0) 861 686 284 numatic.co.za

Numatic International ULDA

Rua Francisco da Silva Duarte, nº79,

4475-269 Santa Maria de Avioso, Castelo da Maia, PORTUGAL

Tel: +351 220 047 700 numatic.pt

Numatic International Spain, S.L.U.

Av. Baix Llobregat, 5-7, Oficina bajos 1 (Parc Negocis Mas Blau II)

08820 El Prat de Llobregat (Barcelona), SPAIN

Tel: +34 93 647 22 22 numatic.es

Numatic International Italy S.R.L

Via Luigi Galvani, 2, Z.I. Talponedo, 33080 Porcia (PN), ITALY

Tel: +39 (0) 434 046 211 numatic.it